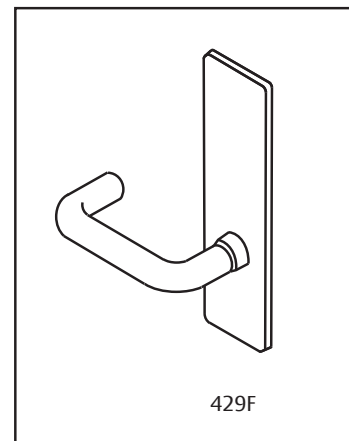


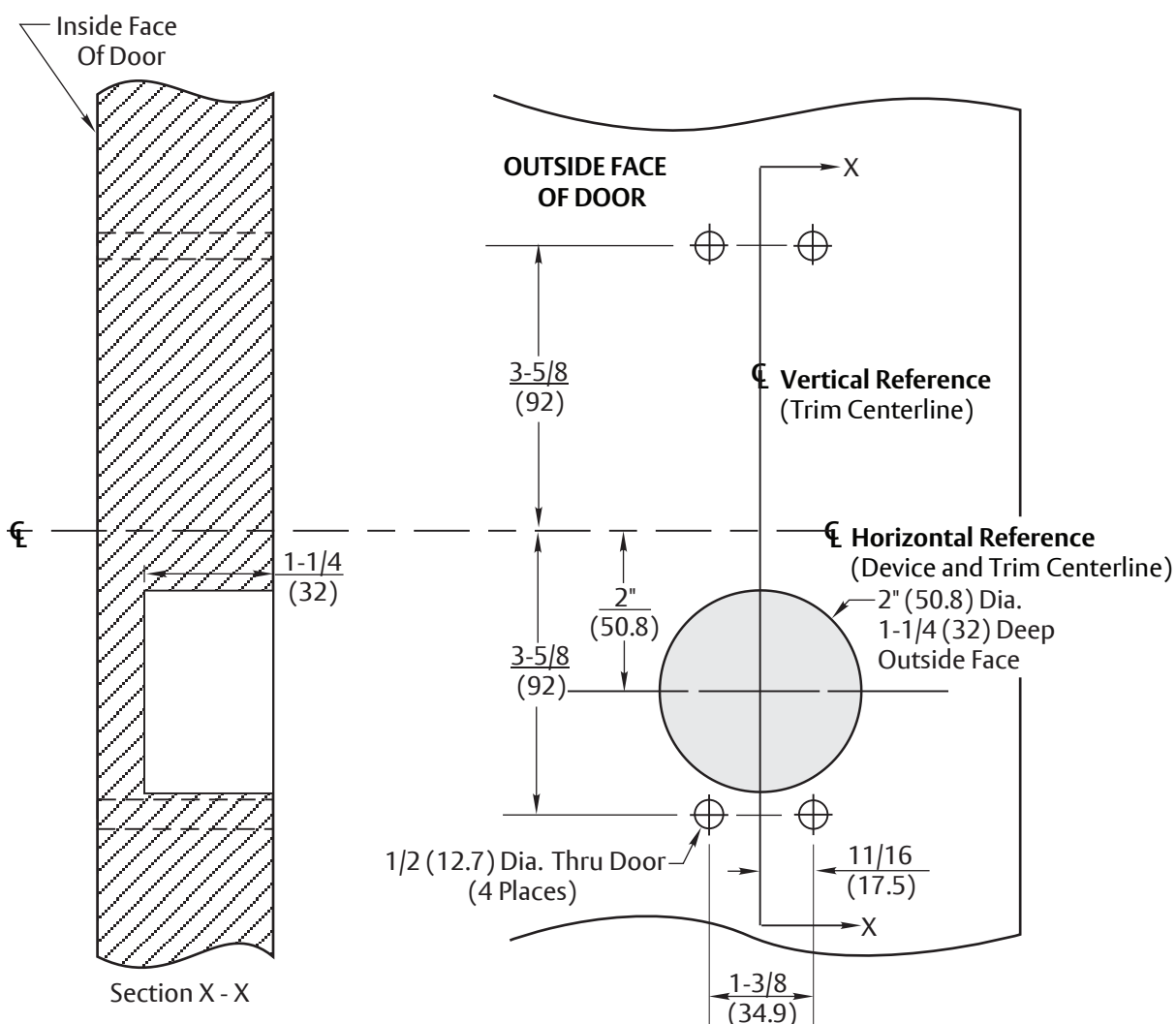
NOTES:

1. This template is an addition to the device template. Locate centerlines using horizontal and vertical references on device template.
2. Do not scale drawing.
3. Dimensions are in inches (mm).
4. LHR door shown. Preparation is typical for both door hands.
5. Provide adequate internal support to maintain door integrity during operation.
6. Prepare mounting holes when installing trim.



429F

Note: Lever design prefix does not affect door prep.



RESPONSIBILITY

DOOR AND FRAME MANUFACTURERS ARE RESPONSIBLE FOR PROVIDING ADEQUATE CONSTRUCTION OR REINFORCEMENTS FOR PROPER INSTALLATION OF HARDWARE SHOWN. ALL ARCHITECTURAL BUILDERS HARDWARE MUST BE INSTALLED ON PROPERLY REINFORCED DOORS AND FRAMES, REGARDLESS OF TYPE, MATERIAL, OR METHOD OF CONSTRUCTION.

429F Trim

With 1800(F), 6100(F) or 6170(F) Series Rim and Vertical Rod Exit Devices
Wood Door Preparation

Contact us for support at 1-855-557-5078.

ASSA ABLOY

SUPERSEDES	10/23	DO NOT SCALE DRAWING
TEMPLATE NUMBER	7400-1429	DATE 12-23