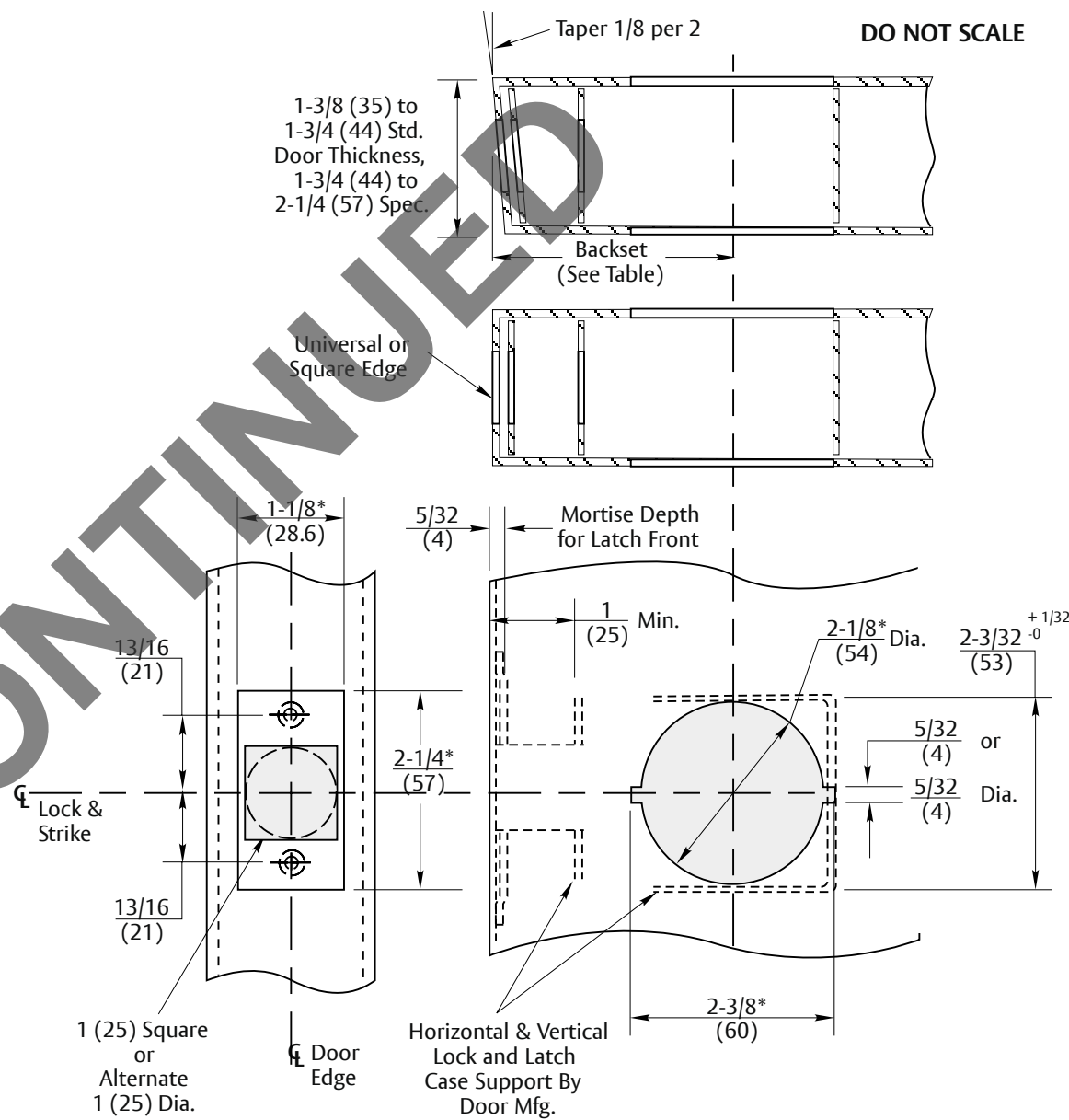


	<b>4300/4300LN SERIES Locks</b>	
<b>Backset</b>	<b>Latch No.</b>	
$\frac{2-3}{4}$ (70)	280DN	

**Notes:**

1. When ANSI A115.2 (Fig. 1) Strike is specified, refer to No. 497 Strike, Template No. 7102-0003.
2. When ANSI A115.2 (Fig. 2) Strike is specified, refer to No. 271 Strike, Template 7102-0005.
3. Dimensions marked with \* have tolerances of +.015, -.000
4. All dimensions given in inches (mm).

DISCONTINUED



Experience a safer and more open world

4300/4300LN Series Tubular Locks - 1-1/8" Wide Front  
H.M. Door Preparation (ANSI A115.2) (FIG. 1)  
2-3/4" Backset

Template Number:  
7150-0071  
Sheet: 1 of 1  
Date: 12/23

**ASSA ABLOY**  
1-855-557-5078  
www.assaabloy.com