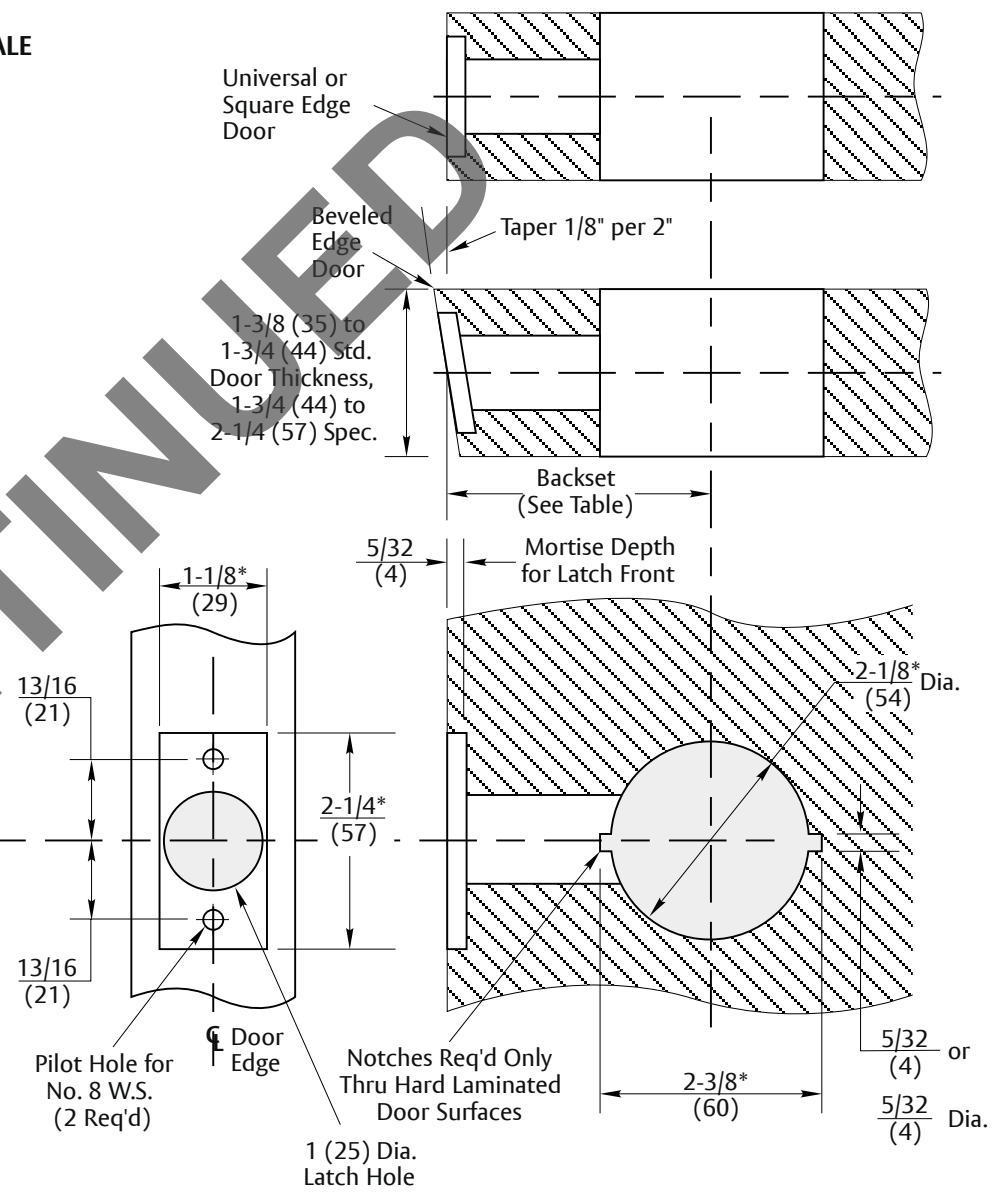


<b>4300/4300LN SERIES Locks</b>	
<b>Backset</b>	<b>Latch No.</b>
$\frac{2-3}{4}$ (70)	280DN

DO NOT SCALE



**Notes:**

1. When ANSI A115.2 (Fig. 1) Strike is specified, refer to No. 497 Strike, Template No. 7102-0003.
2. When ANSI A115.2 (Fig. 2) Strike is specified, refer to No. 271 Strike, Template 7102-0005.
3. When Full Lip Strike is specified refer to No. 20S or 21S Strike, Template 7102-0006.
4. Dimensions marked with \* have tolerances of +1/32, -0.
5. All dimensions given in inches (mm).

Experience a safer and more open world

4300/4300LN Series Tubular Locks - 1-1/8" Wide Front  
Wood Door Preparation (ANSI A115.2) (FIG. 1)  
2-3/4" and Backset

Template Number: 7150-0072  
Sheet: 1 of 1  
Date: 12/23

**ASSA ABLOY**  
1-855-557-5078  
www.assaabloy.com