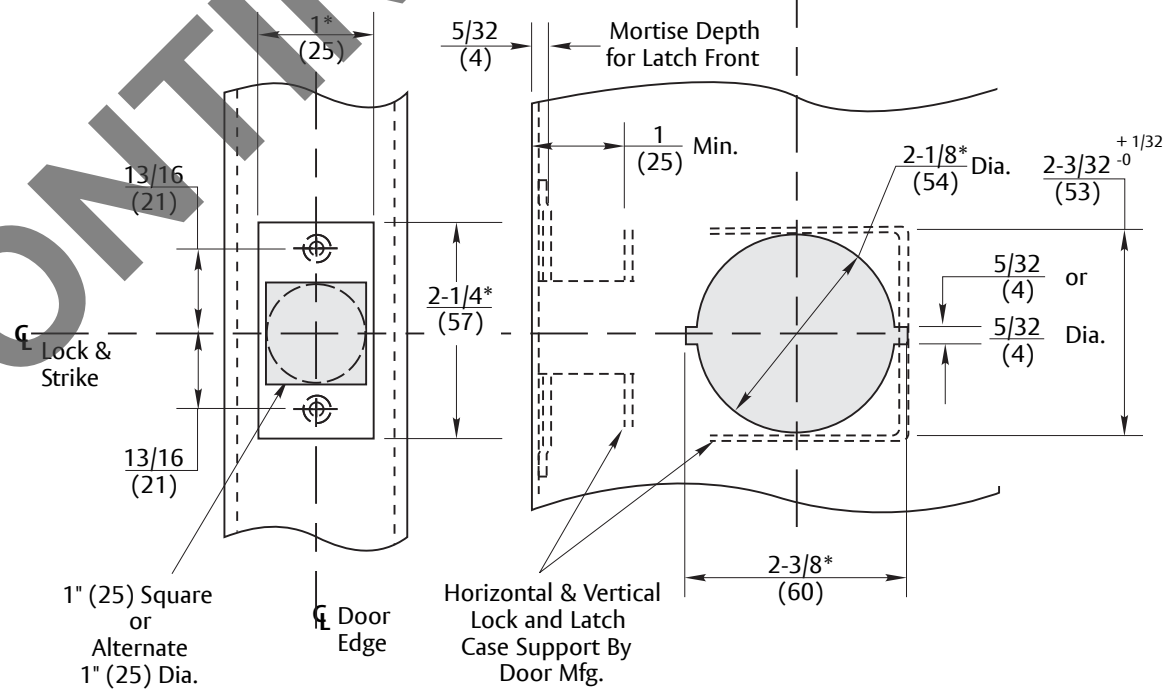
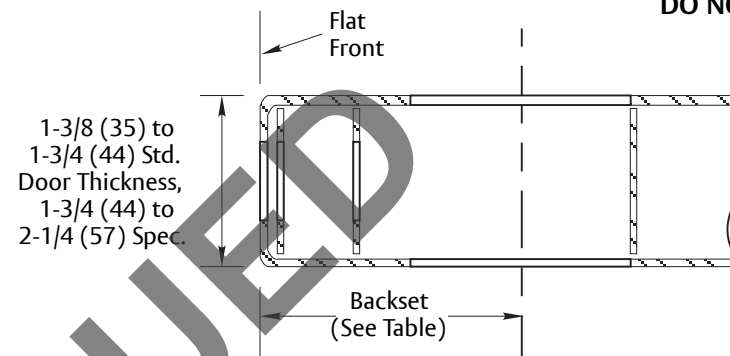


	4300/4300LN SERIES Locks
Backset	Latch No.
$\frac{2-3}{8}$ (60)	280N

DO NOT SCALE



Notes:

1. When 4-7/8" (123.8) Strike is specified, refer to No. 497 Strike, Template No. 7102-0003.
2. When T- Strike is specified, refer to No. 271 Strike, Template 7102-0005.
3. Dimensions marked with * have tolerances of +.015, -.000
4. All dimensions given in inches (mm).

DISCONTINUED

Experience a safer and more open world

4300/4300LN Series Tubular Locks - 1" Wide Flat Front
H.M. Door Preparation (See ANSI/BHMA A156.115)
2-3/8" Backset

Template Number:
7150-0069
Sheet: 1 of 1
Date: 12/23

ASSA ABLOY
1-855-557-5078
www.assaabloy.com