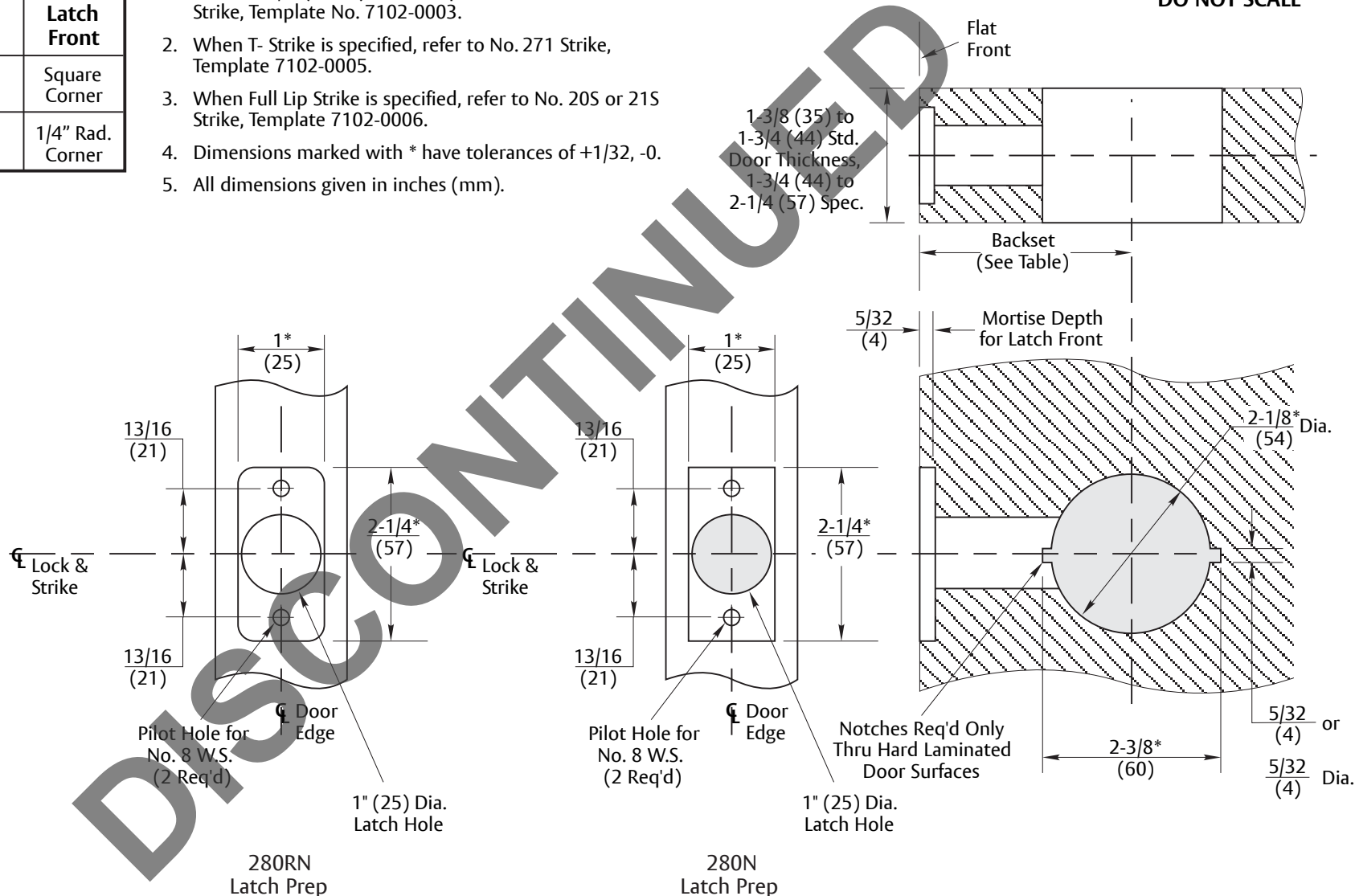


4300/4300LN SERIES Locks		
Backset	Latch No.	Latch Front
$\frac{2-3}{8}$ (60)	280N	Square Corner
$\frac{2-3}{8}$ (60)	280RN	1/4" Rad. Corner

Notes:

1. When 4-7/8" (123.8) Strike is specified, refer to No. 497 Strike, Template No. 7102-0003.
2. When T- Strike is specified, refer to No. 271 Strike, Template 7102-0005.
3. When Full Lip Strike is specified, refer to No. 205 or 215 Strike, Template 7102-0006.
4. Dimensions marked with * have tolerances of +1/32, -0.
5. All dimensions given in inches (mm).

DO NOT SCALE



Experience a safer and more open world

Copyright © 2008, 2023, ASSA ABLOY Access and Egress Hardware Group, Inc. All rights reserved. Reproduction in whole or in part without the express written permission of ASSA ABLOY Access and Egress Hardware Group, Inc. is prohibited.

4300/4300LN Series Tubular Locks - 1" Wide Flat Front
Wood Door Preparation (See ANSI/BHMA A156.115)
2-3/8" Backset

Template Number:
7150-0070
Sheet: 1 of 1
Date: 12/23

ASSA ABLOY

1-855-557-5078
www.assaabloy.com