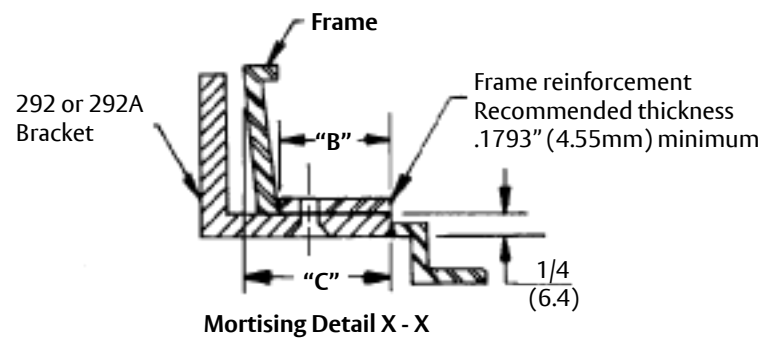


Caution: Door swing may be limited by door, frame, wall or hardware conditions (including closer projection).

- Notes:**
1. Do not scale drawing.
 2. Right hand door shoowen.
 3. Dimensions are in inches (mm).
 4. Hollow metal doors require channel or box type reinforcement when thru bolt mount is specified.
 5. Minimum thickness recommended for reinforcements in hollow metal doors are frames: 1046" (2.66mm) unless other wise noted.

Opening	Dim. "A"
To 100°	7-5/8 (194)
100 to 120°	6-5/8 (168)
120 to 150°	4-5/8 (117)
150 to 180°	4-1/8 (105)



Bracket	Dim. "B"		Dim. "C"
	Maximum	Minimum	Maximum
292	2(51)	1-1/2(38)	2-1/4 (57)
292 A	2-3/4 (70)		3 (76)

Preparation for Fasteners			
Fasteners		Door or Frame	Drill Sizes
Standard	#14 type "A" S.M. Screw Arm: 1-1/4" (32mm) Closer: 2-3/4" (70mm)	Wood	7/32" (5.5 mm)
		Aluminum	
	1/4-20 machine screw	Metal	drill: #7 (.201") tap: 1/4-20
Optional	Sex nuts and bolts	Hollow Metal	9/32" (7.00mm) thru; 3/8" (9.50mm) on door or transom face opposite to closer
		Aluminum or Wood	3/8" (9.50mm.) thru
	Thru bolts and grommet nuts	All	9/32" (7.00mm) thru; 3/8" (9.50mm) dia. x 3/8" (10mm) deep on door or transom face opposite to closer

Experience a safer and more open world

1400 Series Door Closers-Size 2 thru 6
4410 Series Door Closers-Multi-Size 1 to 6
 With 292 or 292 or 292A Mortised Bracket and
 With or Without 486 Backplate
 Regular Hold Open Arm Application

Template Number:
7344-0107
Sheet: 1 of 1
Date: 12/23

ASSA ABLOY

1-855-557-5078
www.assaabloy.com