

4410

Non Handed Door Closer

Regular Arm

Top Jamb Mount

Parallel Arm

With or without DL suffix (delayed action)
With or without M suffix (metal cover)

Hold Open Arm Models

Adjustable
(Sizes 1-6)

4410

TJ4410 

TJL4410

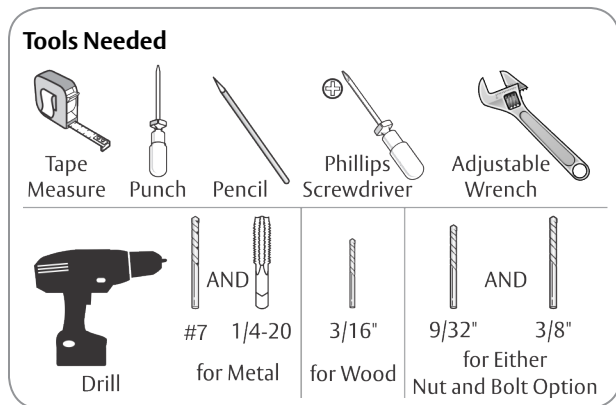
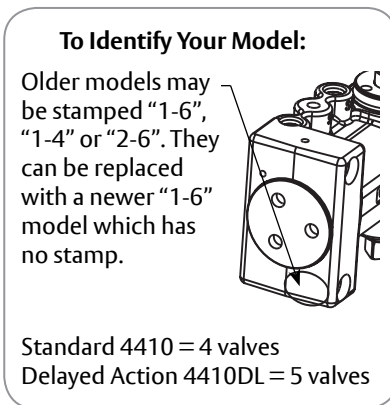
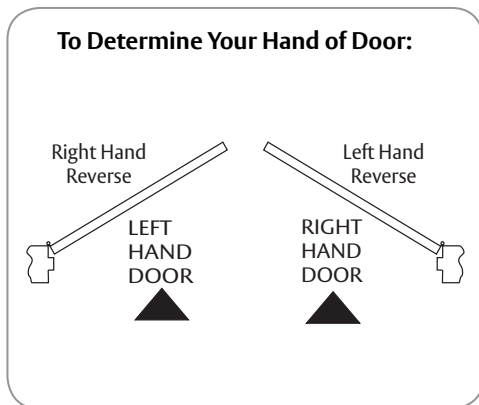
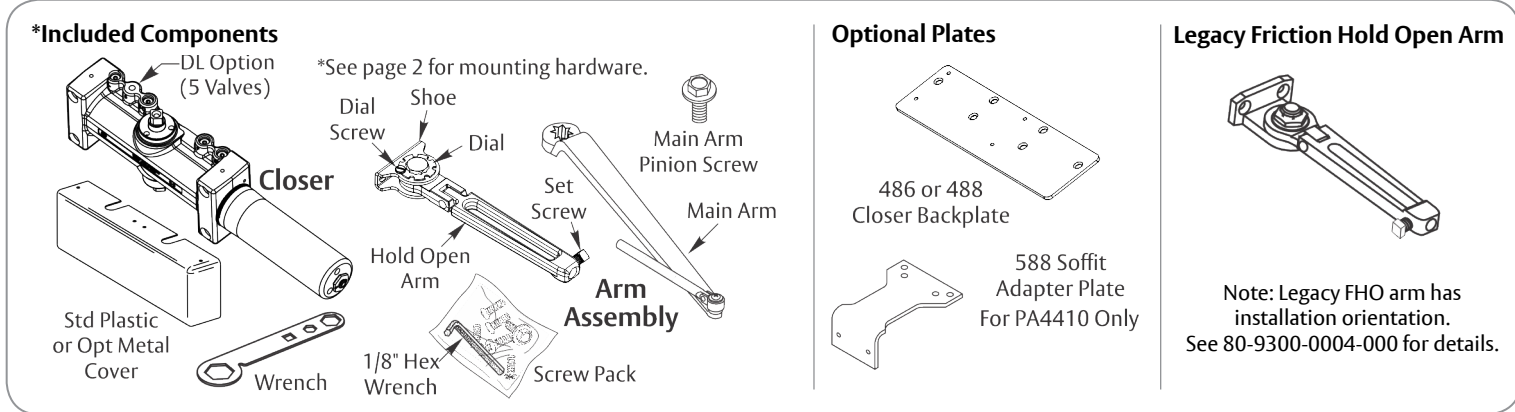
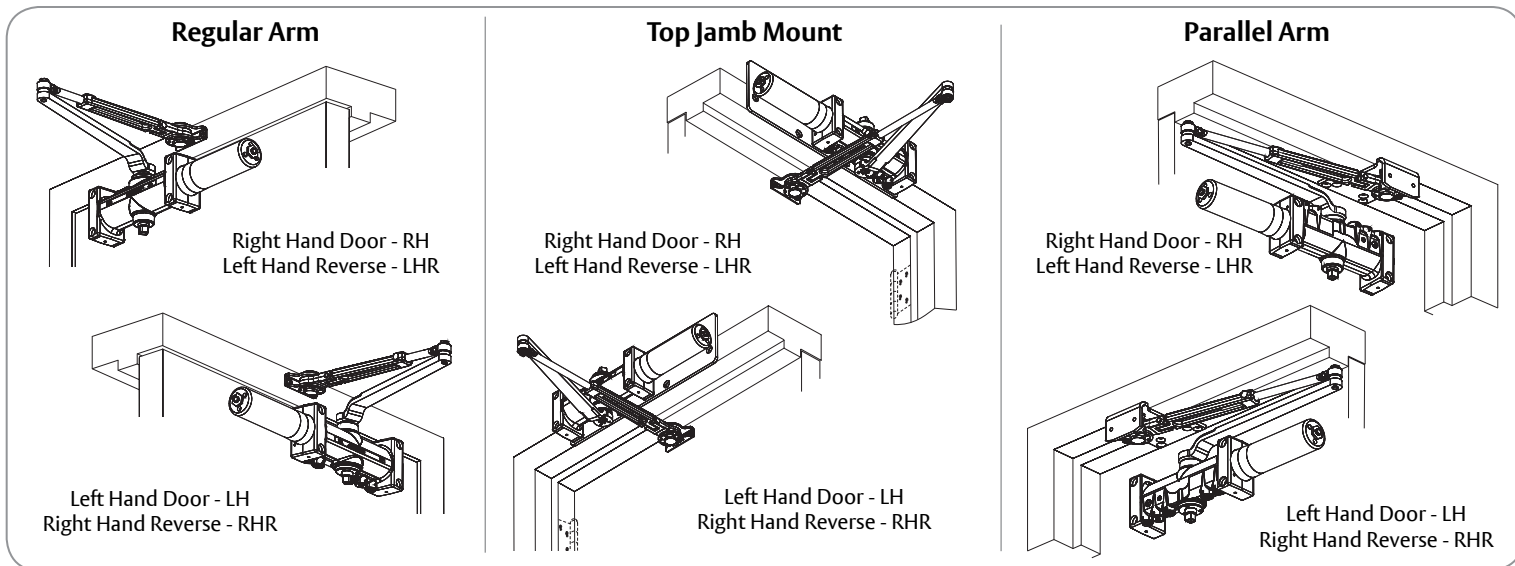
PA4410



WARNING

This product can expose you to lead which is known to the state of California to cause cancer and birth defects or other reproductive harm. For more information go to www.P65warnings.ca.gov.

Ce produit peut vous exposer au plomb qui, dans l'état de la Californie, est reconnu pour causer le cancer, des anomalies congénitales ou d'autres problèmes de reproduction. Pour plus d'informations, visitez: www.P65warnings.ca.gov.



4410 Installation Instructions



Before You Begin

ATTENTION:

An incorrectly installed or improperly adjusted door closer can cause property damage or personal injury. These installation instructions should be followed to avoid the possibility of misapplication or misadjustment.

- For special applications, a separate door and frame preparation template is packed with these instructions. Use these instructions for installation sequence and closer adjustments only.
- 4410 Series closing force is adjustable from 1-6 as outlined in ANSI Standard A156.4. When closer is adjusted to conform to ADA reduced opening force requirements (5 lbs max.) for interior doors, it may not have adequate closing force to reliably close and latch door. Charted power adjustments in instructions are recommended where possible, to ensure proper door control.

- Doors should be hung on ball bearing or anti-friction hinges.
- A separate door stop is recommended.
- Always consult door/frame manufacturer for fastener compatibility.
- Door and frame must be properly reinforced.
- Adjust closing time speed between 3 and 7 seconds from 90° to 0°.
- These door closers should NOT be installed on exposed side (weather side) of exterior doors.
- Dimensions are given in inches (millimeters).

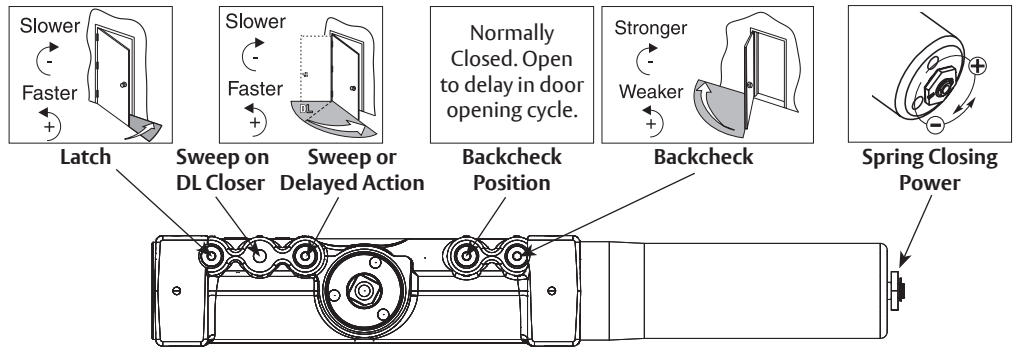
Mounting Hardware	Door or Frame	Drill
Closer, H/O Shoe or Optional PA Bracket: 1/4-14 x 1-1/2 Oval Flat Head Mach. Screw	Wood	3/16" (4.76mm)
Closer, H/O Shoe or Optional PA Bracket: 1/4-20 x 3/4 Oval Flat Head Mach. Screw	Metal	Drill #7 (.201 dia. or 5.10mm) Tap 1/4-20
H/O Shoe to Optional PA Bracket: 1/4-20 x 1/2 Oval Flat Head Mach. Screw		
Closer: Sleeve Nut and Bolt (SNB) (optional)	Hollow Metal	9/32" (7.00mm) thru 3/8" (9.50mm) door face opposite to closer
	Aluminum or Wood	3/8" (9.50mm) thru
Closer: Thru Bolt and Grommet Nut (TBGN) (optional)	All	9/32" (7.00mm) thru 3/8" (9.50mm) dia. x 3/8" (9.50mm) deep, door face opposite to closer

Closer Adjustments



Use provided hex wrench to turn valves. NEVER force valves out of closer. NEVER completely close backcheck valve.

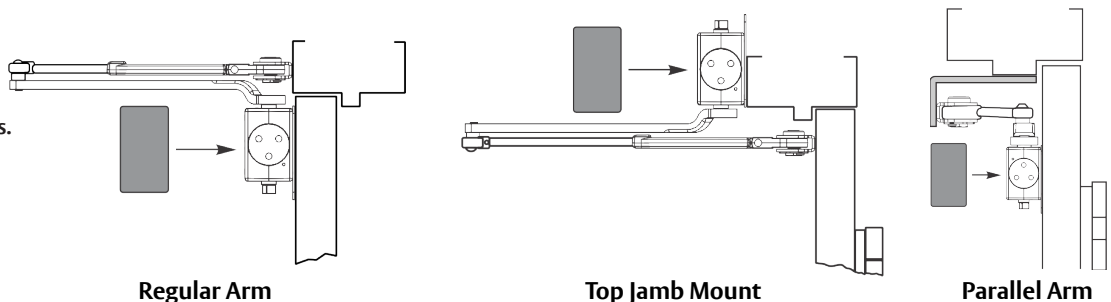
Door must be open to adjust spring closing power. Refer to specific charts on installation pages. Do not use a power drill. Warranty will be void.



Cover



Do not over tighten screws.



For technical support contact Yale® at 800.438.1951

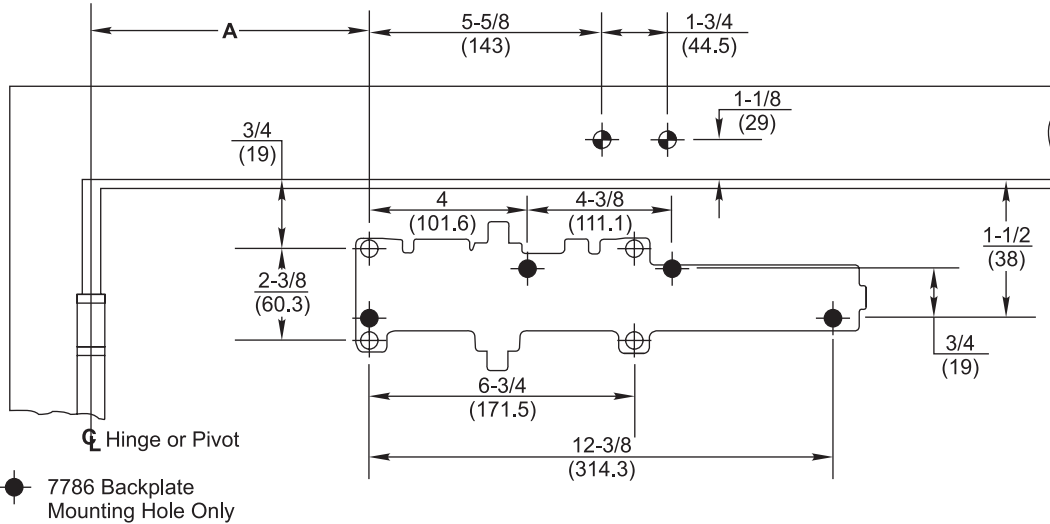
Copyright © 2019, ASSA ABLOY Access and Egress Hardware Group, Inc. All rights reserved. Reproduction in whole or in part without the express written permission of ASSA ABLOY Access and Egress Hardware Group, Inc. is prohibited.

An ASSA ABLOY Group brand

4410 Regular Arm Installation (Right Hand Shown)



1. Prepare door and frame.



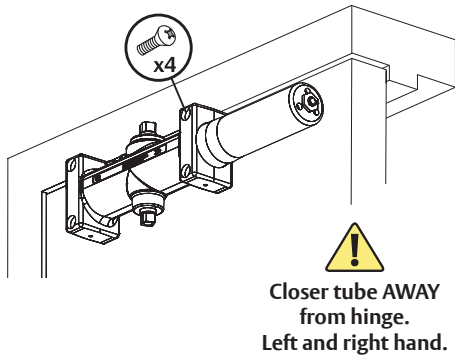
Opening	Dim A
	inches (mm)
To 100°	7-5/8 (194)
101° to 120°	6-5/8 (168)
121° to 150°	4-5/8 (117)
151° to 180°	4-1/8 (105)

Power Adjustment Chart

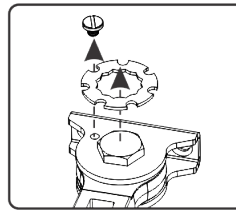
Maximum Interior Door Size inches (mm)	Maximum Exterior Door Size inches (mm)	Turns from Zero
32 (813)	28 (711)	5
36 (914)	34 (864)	8-1/2
42 (1067)	38 (965)	11
52 (1321)	42 (1067)	13-1/2
60 (1524)	48 (1219)	16-1/2

NOTE: Maximum of 16-1/2 turns (360°) of Power Adjustment Nut.

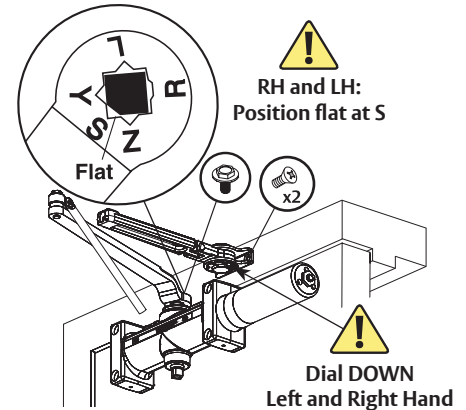
2. Mount closer to door.



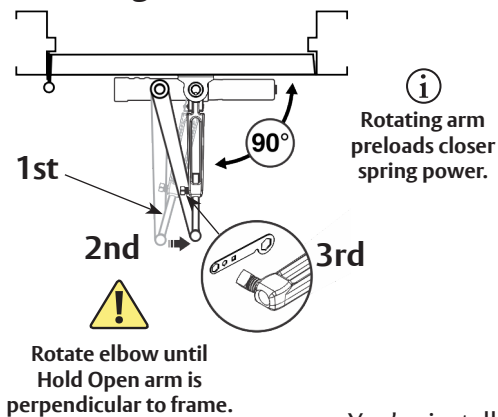
3a. Remove dial from Hold Open arm.



3b. Install separate arms.

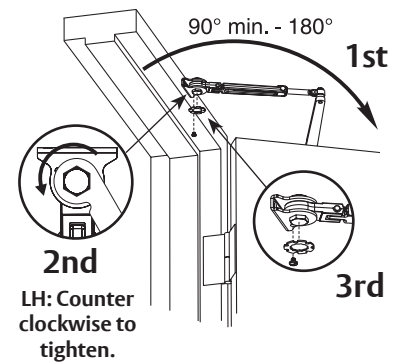
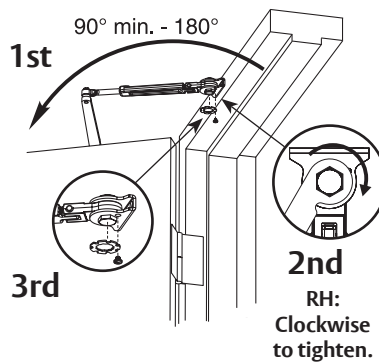


4. Connect arms, preload spring and tighten set screw.



5. Set Hold Open.

! Keep door open in position until dial screw secures dial.



You've installed the 4410 Hold Open Closer - Regular Arm.

● Go to page 2 for closer adjustments and cover installation.

For technical support contact Yale® at 800.438.1951

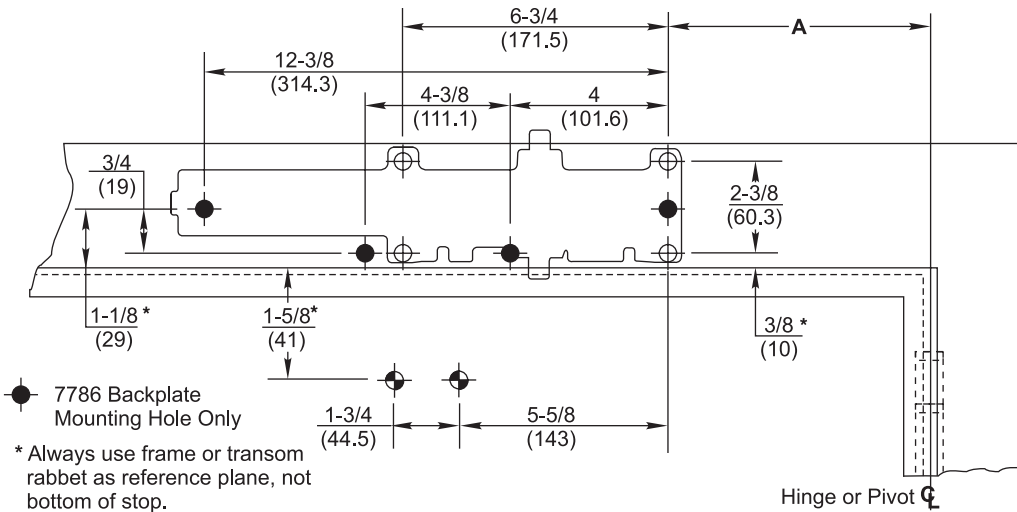
Copyright © 2019, ASSA ABLOY Access and Egress Hardware Group, Inc. All rights reserved. Reproduction in whole or in part without the express written permission of ASSA ABLOY Access and Egress Hardware Group, Inc. is prohibited.

An ASSA ABLOY Group brand

4410 Top Jamb Mount Installation (Right Hand Shown)



1. Prepare door and frame.

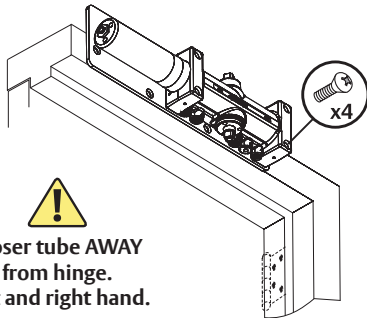


Opening	Dimension A inches (mm)
To 100°	7-5/8 (194)
101° to 120°	6-5/8 (168)
121° to 150°	4-5/8 (117)
151° to 180°	4-1/8 (105)

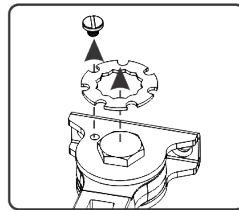
Power Adjustment Chart		
Maximum Interior Door Size inches (mm)	Maximum Exterior Door Size inches (mm)	Turns from Zero
32 (813)	28 (711)	5
36 (914)	34 (864)	8-1/2
42 (1067)	38 (965)	11
52 (1321)	42 (1067)	13-1/2
60 (1524)	48 (1219)	16-1/2

NOTE: Maximum of 16-1/2 turns (360°) of Power Adjustment Nut.

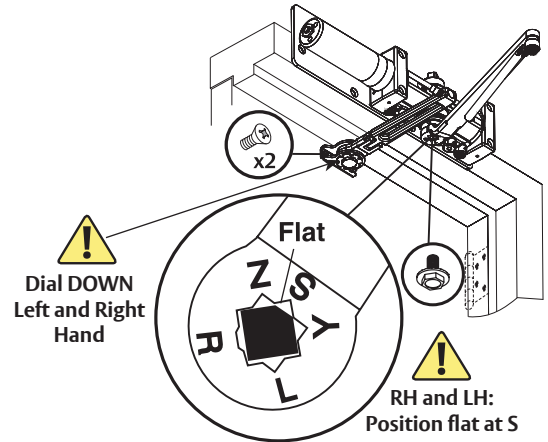
2. Mount optional backplate and/or closer to frame.



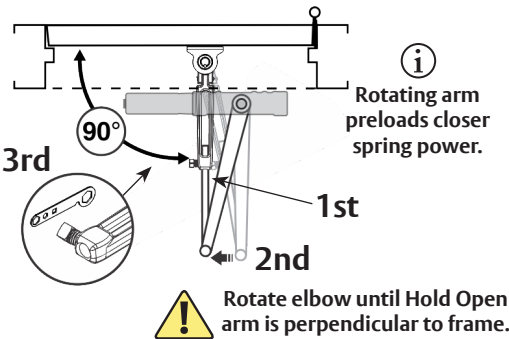
3a. Remove dial from Hold Open arm.



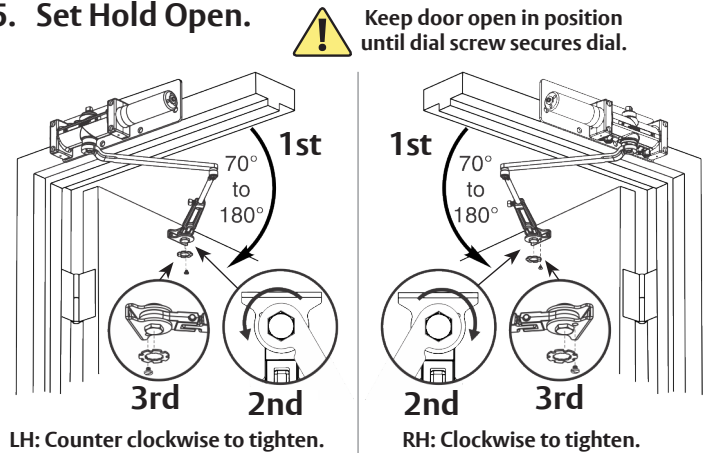
3b. Install separate arms.



4. Connect arms, preload spring and tighten set screw.



5. Set Hold Open.



You've now installed the 4410 Hold Open Closer - Top Jamb Mount.

● Go to page 2 for closer adjustments and cover installation.

For technical support contact Yale® at 800.438.1951

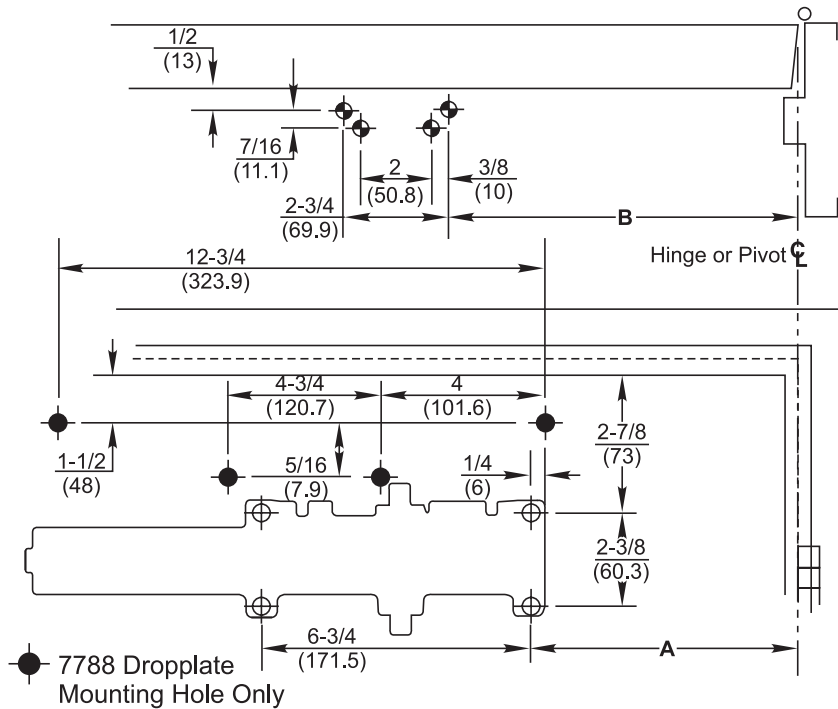
Copyright © 2019, ASSA ABLOY Access and Egress Hardware Group, Inc. All rights reserved. Reproduction in whole or in part without the express written permission of ASSA ABLOY Access and Egress Hardware Group, Inc. is prohibited.

An ASSA ABLOY Group brand

4410 Parallel Arm Installation (Right Hand Shown)



1. Prepare door and frame.

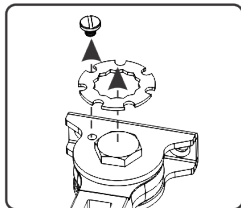


Opening	Dimension A	Dimension B
	inches (mm)	inches (mm)
To 100°	8-3/4 (222)	9-1/4 (235)
101° to 130°	7-1/4 (184)	7-3/4 (197)
131° to 150°	6-1/4 (159)	6-3/4 (171)
151° to 180°	5-1/4 (133)	5-3/4 (146)

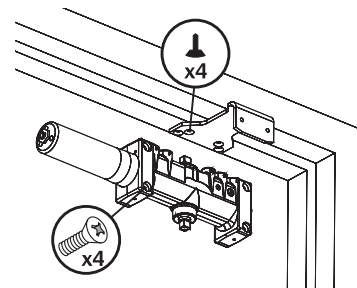
Power Adjustment Chart		
Maximum Interior Door Size inches (mm)	Maximum Exterior Door Size inches (mm)	Turns from Zero
30 (762)	26 (660)	7
34 (864)	30 (762)	9
38 (965)	36 (914)	12-1/2
48 (1219)	42 (1067)	14-1/2
54 (1372)	48 (1219)	16-1/2

NOTE: Maximum of 16-1/2 turns (360°) of Power Adjustment Nut.

2. Remove dial from Hold Open arm.

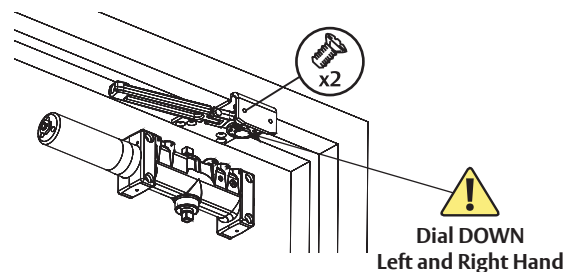


3. Install soffit plate and mount closer.



!
Closer tube **AWAY** from hinge. Left and right hand.

4. Install Hold Open arm to plate.



For technical support contact Yale® at 800.438.1951

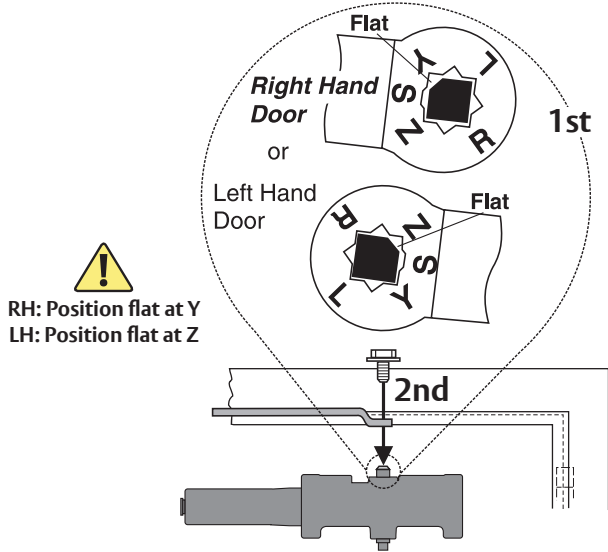
Copyright © 2019, ASSA ABLOY Access and Egress Hardware Group, Inc. All rights reserved. Reproduction in whole or in part without the express written permission of ASSA ABLOY Access and Egress Hardware Group, Inc. is prohibited.

An ASSA ABLOY Group brand

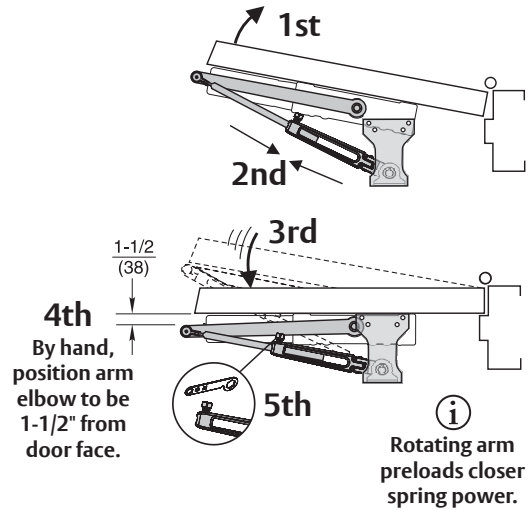
4410 Parallel Arm Installation (Right Hand Shown) continued



5. Place main arm on closer spindle as shown.

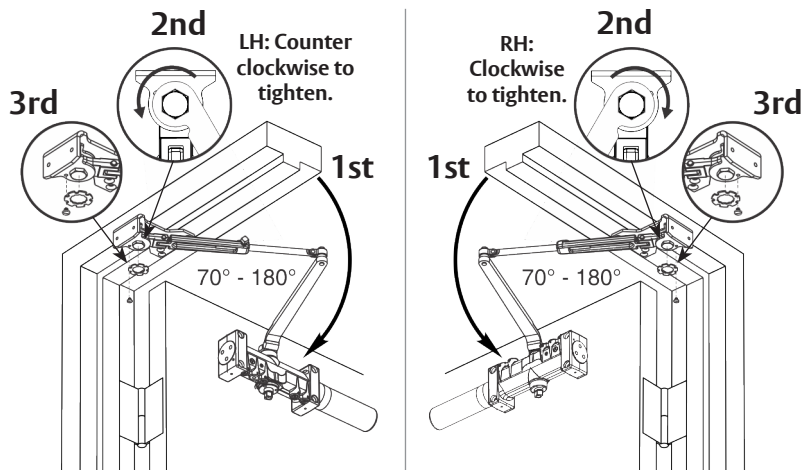


6. Connect arms, preload and tighten set screw.



7. Set Hold Open.

! Keep door open in position until dial screw secures dial.



You've now installed the 4410 Hold Open Closer - Parallel Arm.

● Go to page 2 for closer adjustments and cover installation.

Yale Locks & Hardware

Product Support Tel 800.438.1951 • www.yalelocks.com