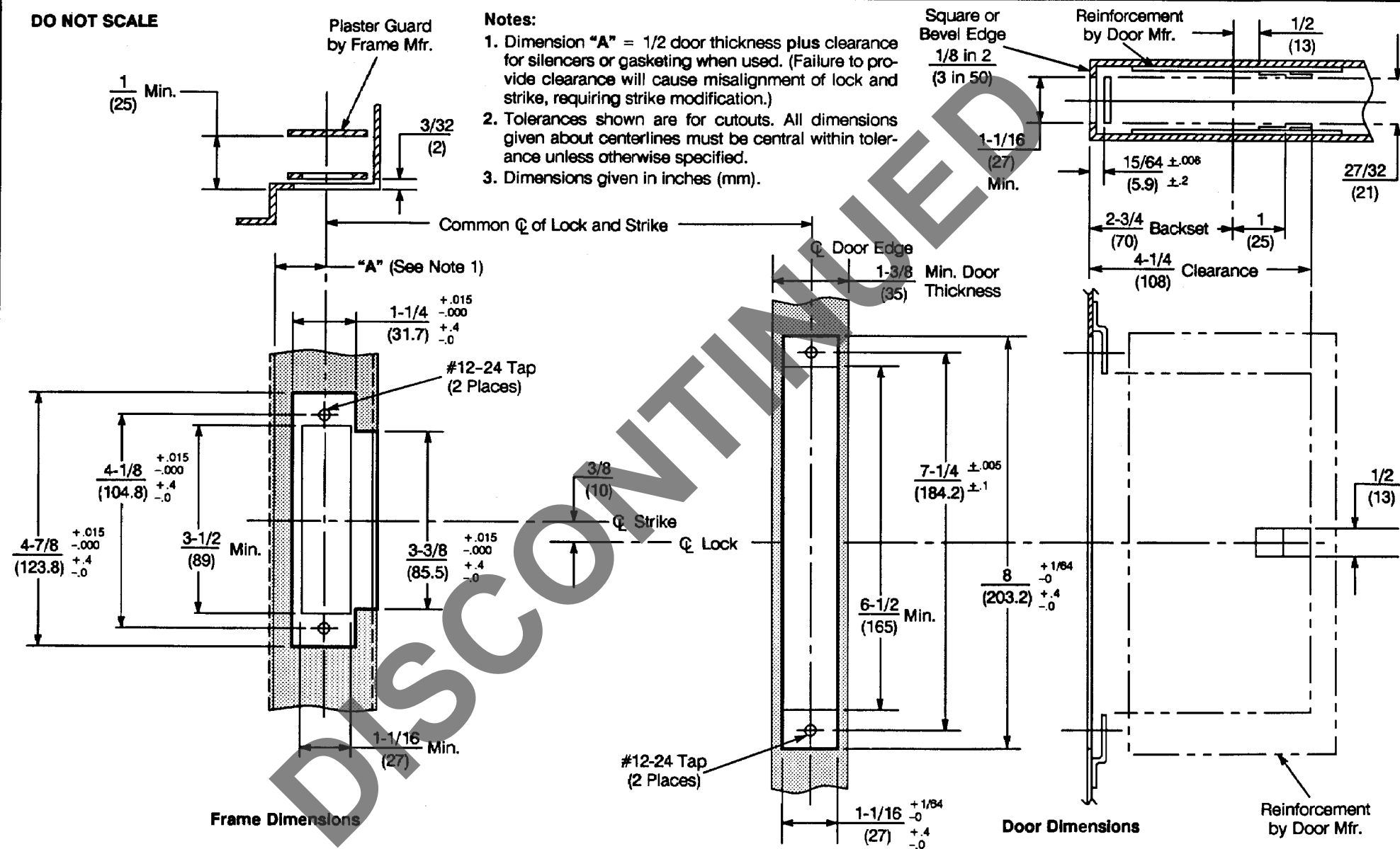


DO NOT SCALE

Notes:

1. Dimension "A" = 1/2 door thickness plus clearance for silencers or gasketing when used. (Failure to provide clearance will cause misalignment of lock and strike, requiring strike modification.)
2. Tolerances shown are for cutouts. All dimensions given about centerlines must be central within tolerance unless otherwise specified.
3. Dimensions given in inches (mm).



**4600 Series Mortise Locks & Electronic Mortise Locks (All Series)
1-3/8" H.M. Door and Frame (ANSI A115.11)
Lock and Strike Preparation**

Yale®
Yale Commercial Locks and Hardware
www.yalecommercial.com

| | |
|-------------------------------------|---------------------|
| TEMPLATE NUMBER 7046-0001 | DATE 5-91 |
|-------------------------------------|---------------------|