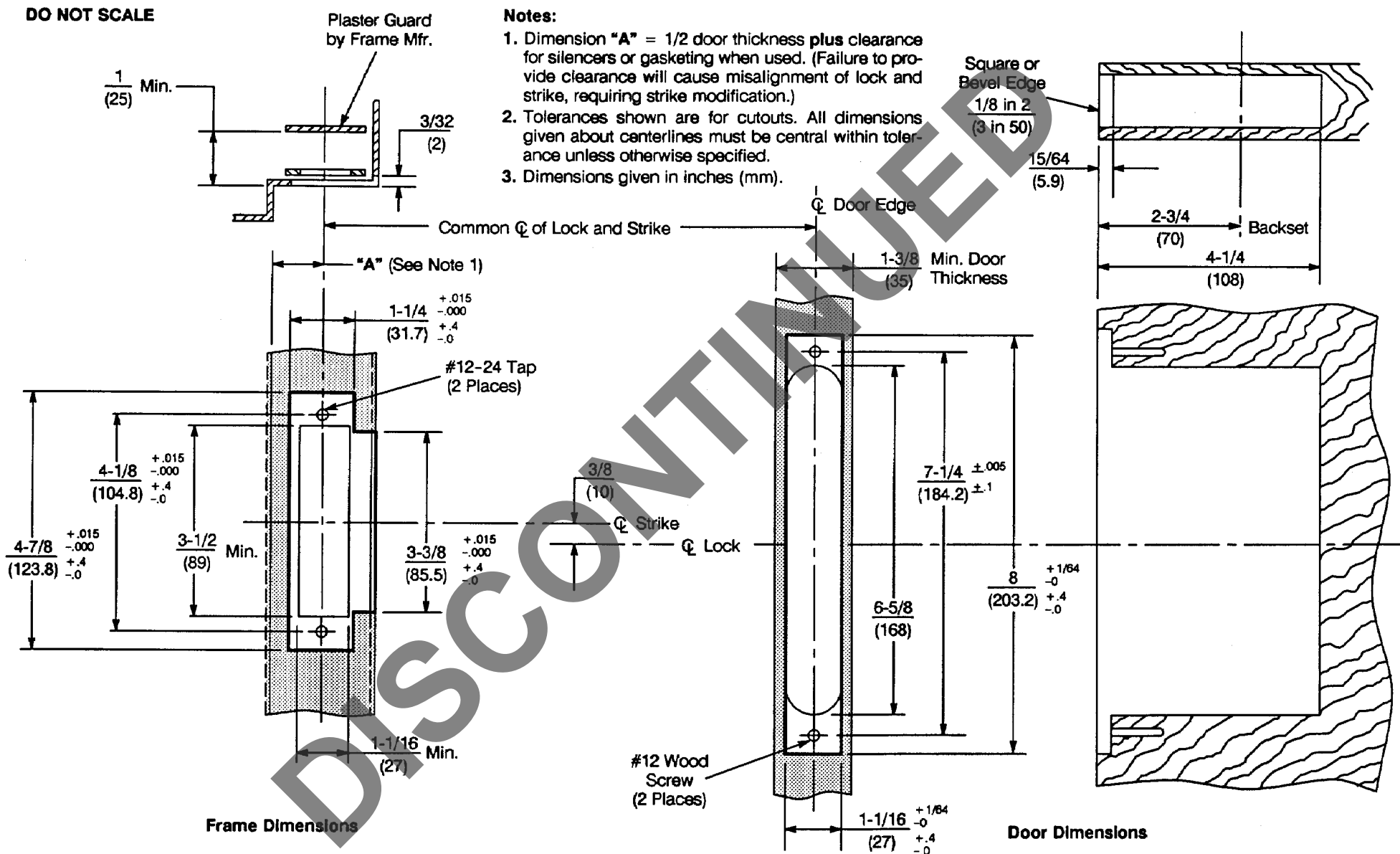


DO NOT SCALE

Notes:

1. Dimension "A" = 1/2 door thickness plus clearance for silencers or gasketing when used. (Failure to provide clearance will cause misalignment of lock and strike, requiring strike modification.)
2. Tolerances shown are for cutouts. All dimensions given about centerlines must be central within tolerance unless otherwise specified.
3. Dimensions given in inches (mm).



**4600 Series Mortise Locks & Electronic Mortise Locks (All Series)
1-3/8" Wood Door and H.M. Frame (ANSI A115.11)
Lock and Strike Preparation**

Yale
Yale Commercial Locks and Hardware
www.yalecommercial.com

TEMPLATE NUMBER	DATE
7046-0002	5-91