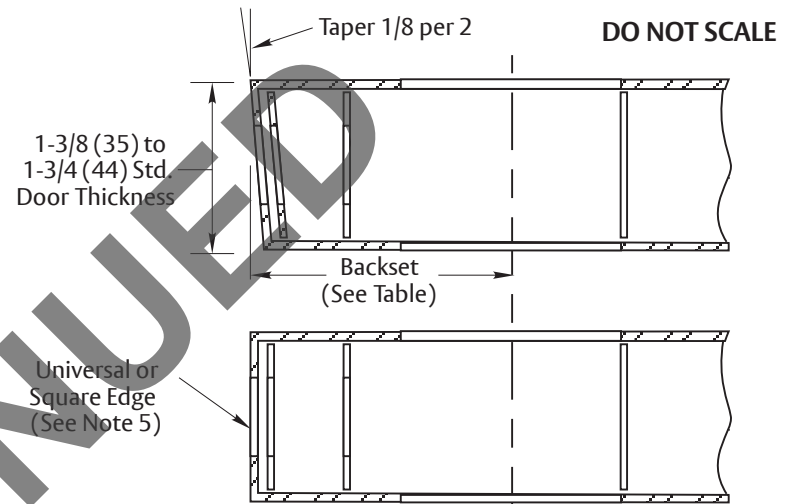


**4600 SERIES
Knob Locks**

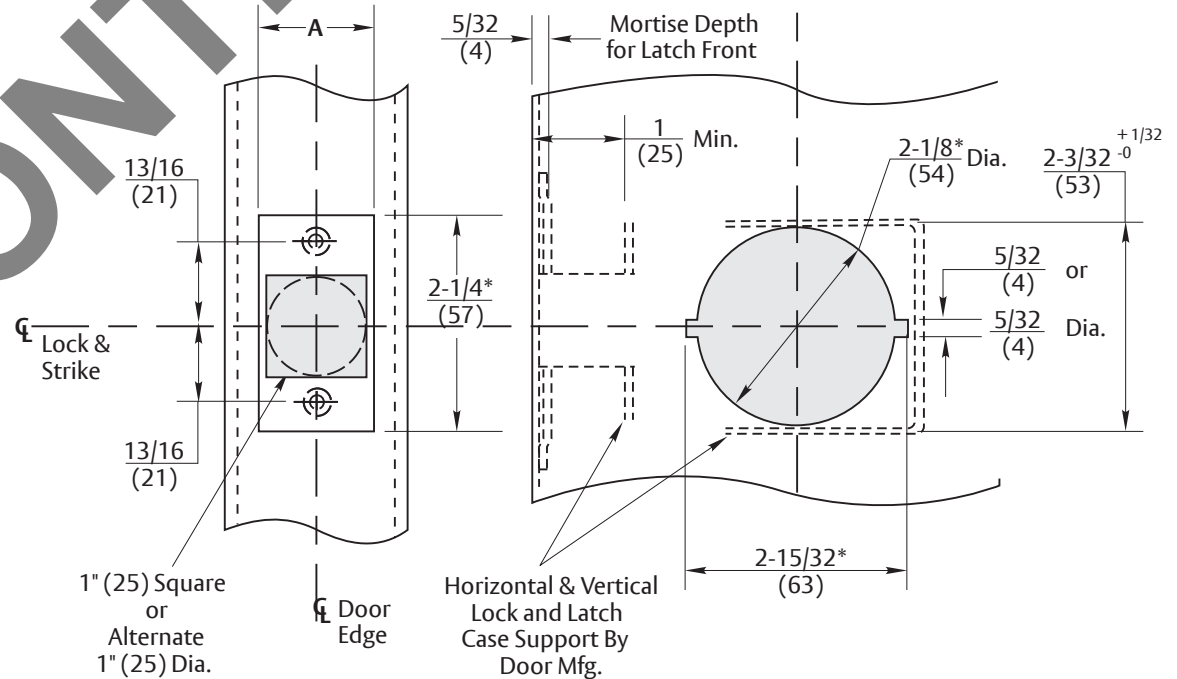
Latch Mdl #	Type	Front	Front Dim. A	Backset	Throw	Latch Dia.
MCP238	Plain	Square	1 (25)	2-3/8(60)	1/2(13)	7/8(22)
MCP238R	Plain	Round	1 (25)	2-3/8 (60)	1/2 (13)	7/8 (22)
MCP234	Plain	Square	1-1/8(29)	2-3/4(70)	1/2 (13)	7/8 (22)
MCD238	Deadlocking	Square	1(25)	2-3/8(60)	1/2(13)	7/8(22)
MCD238R	Deadlocking	Round	1 (25)	2-3/8 (60)	1/2 (13)	7/8 (22)
MCD234	Deadlocking	Square	1-1/8(29)	2-3/4(70)	1/2(13)	7/8(22)

NOTE: 1/8" sleeve (P/N 14-0378-9001-999) supplied with all latchbolts to accommodate 1" preps.



Notes:

- For strike preparation refer to:
497 strike = Template No. 7102-0003.
371 strike = Template No. 7102-0005.
- Dimensions marked with * have tolerances of +.015, -0.000
- All dimensions given in inches (mm).
- Standard locks adjustable for 1-3/8" (35) to 1-3/4" (44) door thicknesses.
- For universal or square edge doors.



Experience a safer
and more open world

Copyright © 2010, 2023, ASSA ABLOY Access and Egress Hardware Group, Inc. All rights reserved. Reproduction in whole or in part without the express written permission of ASSA ABLOY Access and Egress Hardware Group, Inc. is prohibited.

4600 Series Knob Cylindrical Locks
H.M. Door Preparation
2-3/4" and Optional Backsets

Template Number:
7150-0107
Sheet: 1 of 1
Date: 12/23

ASSA ABLOY

1-855-557-5078
www.assaabloy.com