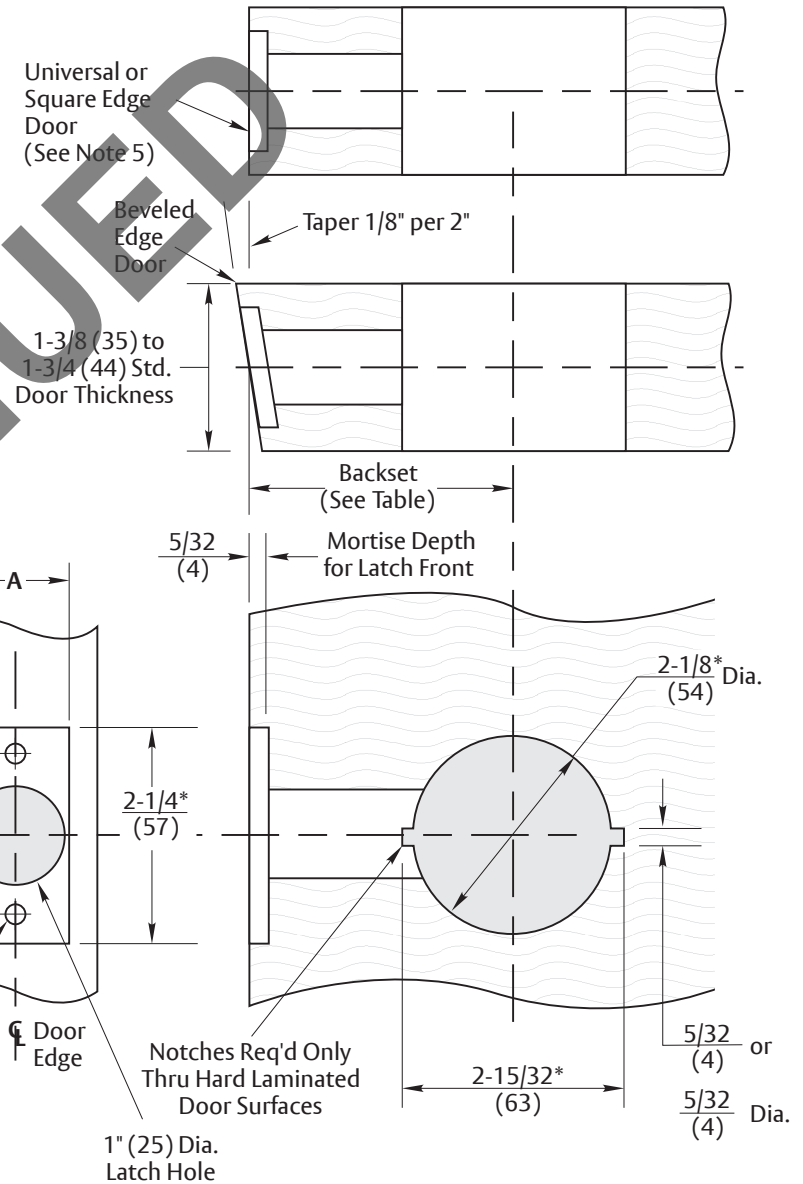


**4600 SERIES  
Knob Locks**

Latch Mdl #	Type	Front	Front Dim. A	Backset	Throw	Latch Dia.
MCP238	Plain	Square	1(25)	2-3/8(60)	1/2(13)	7/8(22)
MCP238R	Plain	Round	1 (25)	2-3/8 (60)	1/2 (13)	7/8 (22)
MCP234	Plain	Square	1-1/8(29)	2-3/4(70)	1/2(13)	7/8(22)
MCD238	Deadlocking	Square	1(25)	2-3/8(60)	1/2(13)	7/8(22)
MCD238R	Deadlocking	Round	1 (25)	2-3/8 (60)	1/2 (13)	7/8 (22)
MCD234	Deadlocking	Square	1-1/8(29)	2-3/4(70)	1/2(13)	7/8(22)

NOTE: 1/8" sleeve (P/N 14-0378-9001-999) supplied with all latchbolts to accommodate 1" preps.

DO NOT SCALE



**Notes:**

- For strike preparation refer to:  
497 strike = Template No. 7102-0003.  
371 strike = Template No. 7102-0005.
- Dimensions marked with \* have tolerances of +1/32, -0.
- All dimensions given in inches (mm).
- Standard locks adjustable for 1-3/8" (35) to 1-3/4" (44) door thicknesses.
- For universal or square edge doors.

DISCONTINUED

Experience a safer  
and more open world

4600 Series Knob Cylindrical Locks  
Wood Door Preparation  
2-3/4" and Optional Backsets

Template Number:  
7150-0108  
Sheet: 1 of 1  
Date: 12/23

**ASSA ABLOY**

1-855-557-5078  
www.assaabloy.com