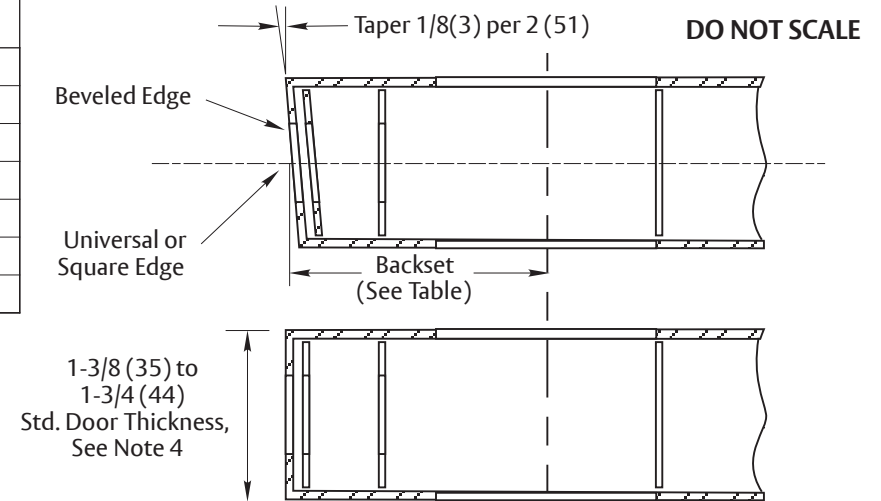


**4600LN SERIES  
Lever Locks**

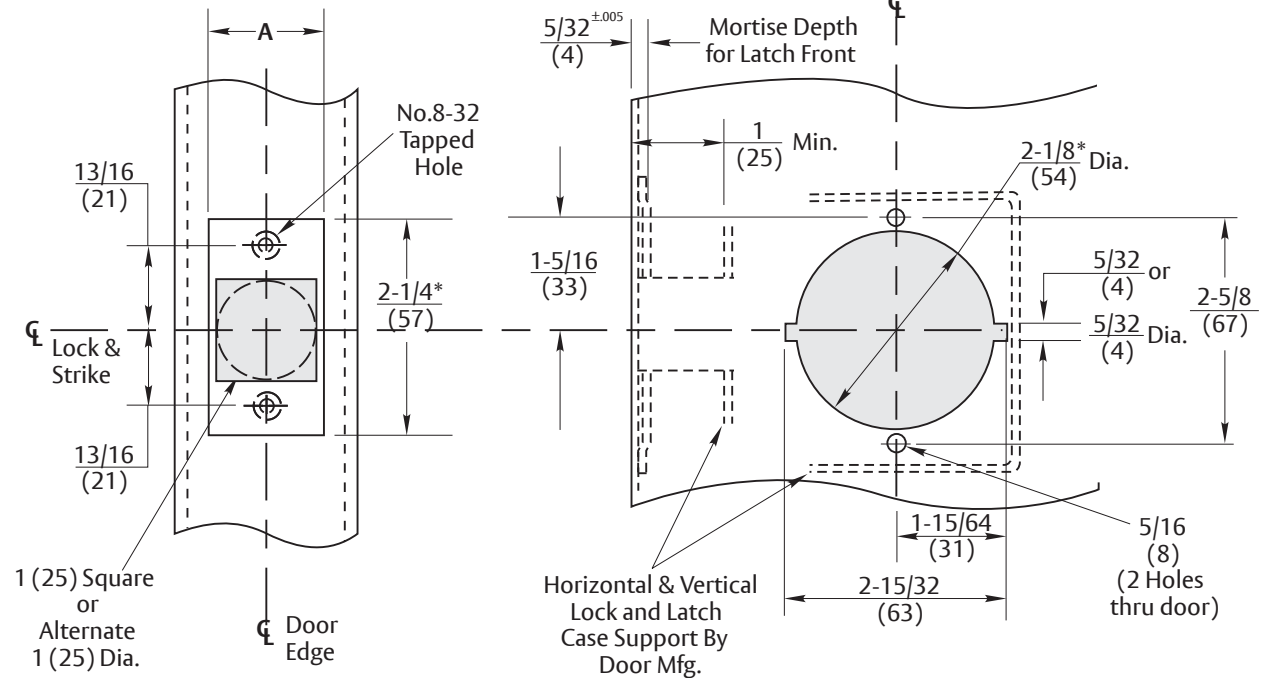
Latch Mdl #	Type	Front	Front Dim. A	Backset	Throw	Latch Dia.
MCP238	Plain	Square	1(25)	2-3/8(60)	1/2(13)	7/8(22)
MCP238R	Plain	Round	1 (25)	2-3/8 (60)	1/2 (13)	7/8 (22)
MCP234	Plain	Square	1-1/8(29)	2-3/4(70)	1/2 (13)	7/8 (22)
MCD238	Deadlocking	Square	1(25)	2-3/8(60)	1/2(13)	7/8(22)
MCD238R	Deadlocking	Round	1 (25)	2-3/8 (60)	1/2 (13)	7/8 (22)
MCD234	Deadlocking	Square	1-1/8(29)	2-3/4(70)	1/2(13)	7/8(22)

NOTE: 1/8" sleeve (P/N 14-0378-9001-999) supplied with all latchbolts to accommodate 1" preps.



**Notes:**

- For strike preparation refer to:  
497 strike = Template No. 7102-0003.  
371 strike = Template No. 7102-0005.
- Dimensions marked with \* have tolerances of +.015, -0.000
- All dimensions given in inches (mm).
- Standard locks adjustable for 1-3/8" (35) to 1-3/4" (44) door thicknesses.
- For universal or square edge doors.



Experience a safer  
and more open world

**4600LN Series Lever Handle Cylindrical Locks  
H.M. Door Preparation  
2-3/4" and Optional Backsets**

Template Number:  
7150-0105  
Sheet: 1 of 1  
Date: 12/23

**ASSA ABLOY**

1-855-557-5078  
www.assaabloy.com

Copyright © 2010, 2023, ASSA ABLOY Access and Egress Hardware Group, Inc. All rights reserved. Reproduction in whole or in part without the express written permission of ASSA ABLOY Access and Egress Hardware Group, Inc. is prohibited.

This product is now proudly being offered under the ASSA ABLOY ACCENTRA™ brand, effective June 20, 2023. Visit YaleCommercial.com/en/Today for support and information.