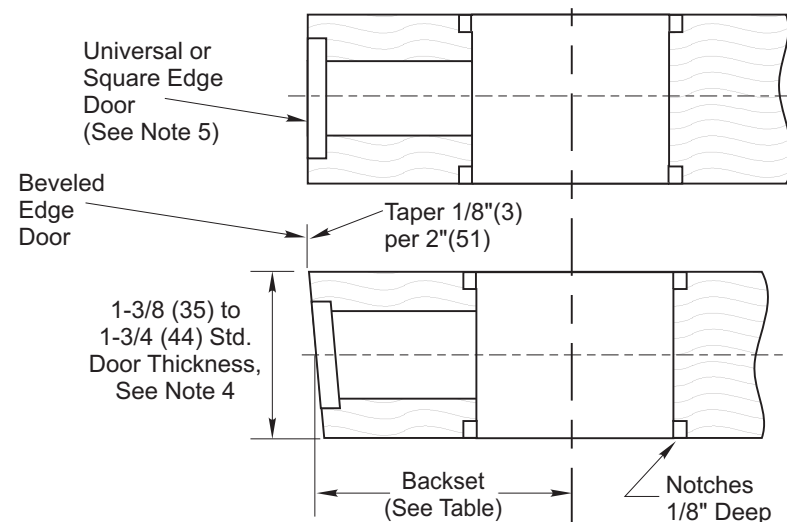


4600LN SERIES Lever Locks

Latch Mdl #	Type	Front	Front Dim. A	Backset	Throw	Latch Dia.
MCP238	Plain	Square	1(25)	2-3/8(60)	1/2(13)	7/8(22)
MCP238R	Plain	Round	1(25)	2-3/8(60)	1/2(13)	7/8(22)
MCP234	Plain	Square	1-1/8(29)	2-3/4(70)	1/2(13)	7/8(22)
MCD238	Deadlocking	Square	1(25)	2-3/8(60)	1/2(13)	7/8(22)
MCD238R	Deadlocking	Round	1(25)	2-3/8(60)	1/2(13)	7/8(22)
MCD234	Deadlocking	Square	1-1/8(29)	2-3/4(70)	1/2(13)	7/8(22)

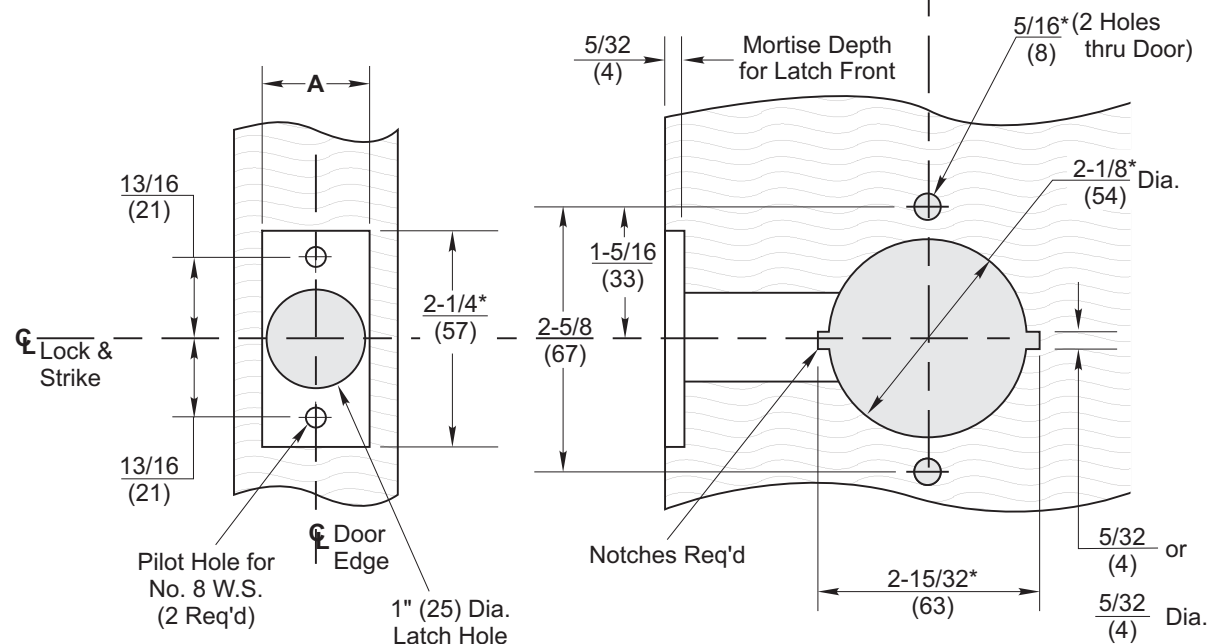
NOTE: 1/8" sleeve (P/N 14-0378-9001-999) supplied with all latchbolts to accommodate 1" preps.

DO NOT SCALE



Notes:

- For strike preparation refer to:
497 strike = Template No. 7102-0003.
371 strike = Template No. 7102-0005.
- Dimensions marked with * have tolerances of +1/32, -0.
- All dimensions given in inches (mm).
- Standard locks adjustable for 1-3/8" (35) to 1-3/4" (44) door thicknesses.
- For universal or square edge doors.



4600LN Series Lever Handle Cylindrical Locks Wood Door Preparation 2-3/4" and Optional Backsets



100 Yale Ave.
Lenoir City, TN 37771-3226
1-800-438-1951

www.yalelocks.com

TEMPLATE NUMBER

7150-0106

DATE

04-10