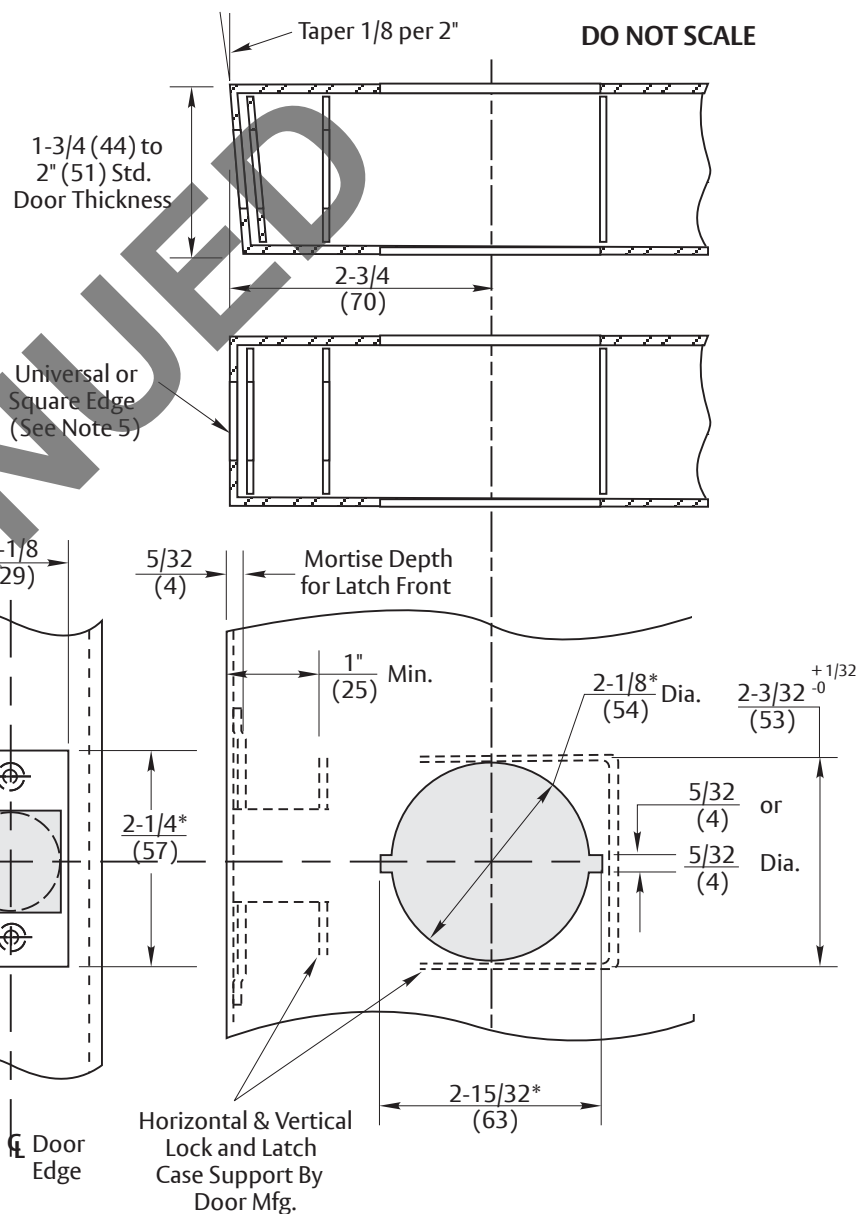


4700 SERIES Knob Locks					
Latch Mdl #	Type	Front	Backset	Throw	Latch Dia.
MCP134	Plain	Flat	2-3/4(70)	1/2(13)	1(25)
MCD134	Deadlocking	Flat	2-3/4(70)	1/2(13)	1(25)

Notes:

1. For strike preparation refer to:
497 strike = Template No. 7102-0003.
2. Dimensions marked with * have tolerances of +.015, -0.000
3. All dimensions given in inches (mm).
4. Standard locks adjustable for 1-3/4" (44) to 2" (51) door thicknesses.
5. For universal or square edge doors.



DISCONTINUED

Experience a safer and more open world

Copyright © 2010, 2023, ASSA ABLOY Access and Egress Hardware Group, Inc. All rights reserved. Reproduction in whole or in part without the express written permission of ASSA ABLOY Access and Egress Hardware Group, Inc. is prohibited.

4700 Series Knob Cylindrical Locks
H.M. Door Preparation
2-3/4" (70mm) Backset

Template Number:
7150-0111
Sheet: 1 of 1
Date: 12/23

ASSA ABLOY

1-855-557-5078
www.assaabloy.com