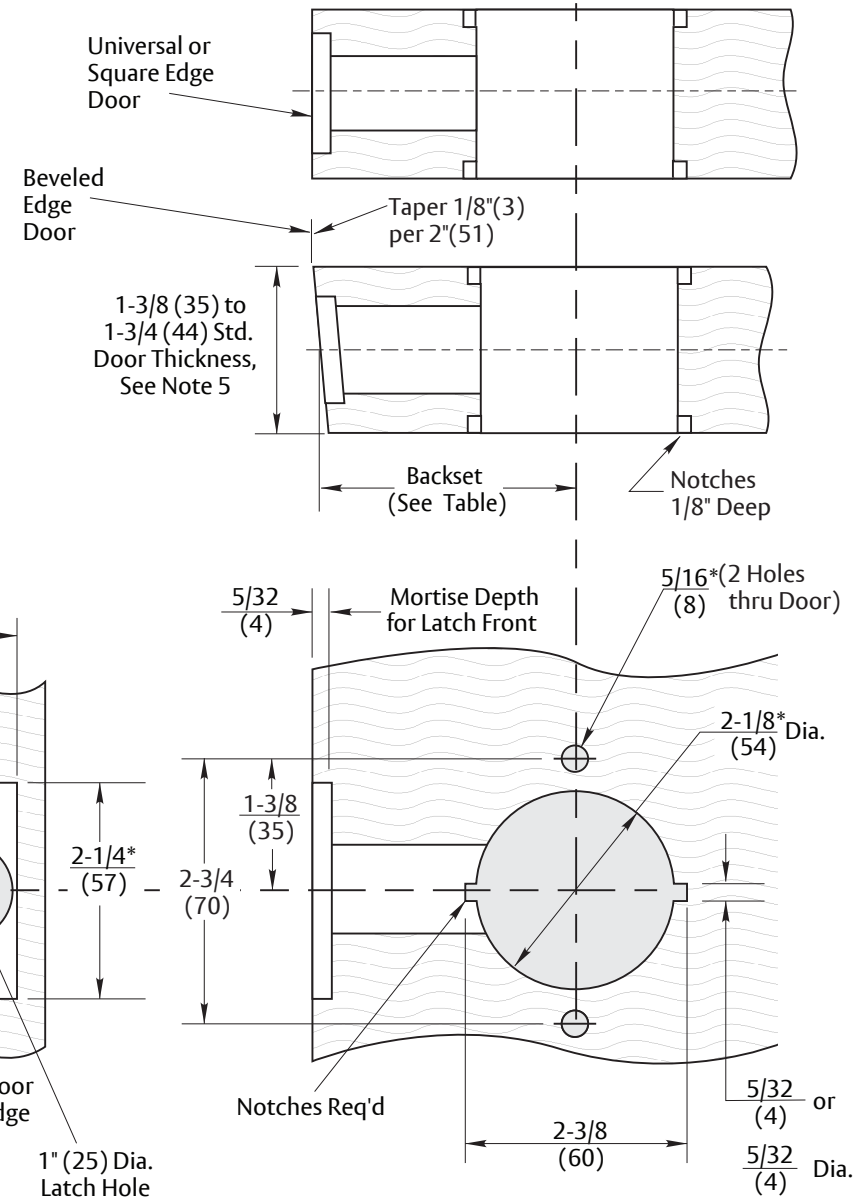


**4700LN SERIES
Lever Locks**

Latch Mdl #	Type	Front	Backset	Throw	Latch Dia.
693	Plain	Bevel	2-3/4(70)	1/2(13)	1(25)
694	Deadlocking	Bevel	2-3/4(70)	1/2(13)	1(25)
F693	Plain	Flat	2-3/4(70)	1/2(13)	1(25)
F694	Deadlocking	Flat	2-3/4(70)	1/2(13)	1(25)
3693	Plain	Bevel	3-3/4(95)	1/2(13)	1(25)
3694	Deadlocking	Bevel	3-3/4(95)	1/2(13)	1(25)
480B	Deadlocking	Bevel	2-3/4(70)	3/4(19)	1(25)
3480B	Deadlocking	Bevel	3-3/4(95)	3/4(19)	1(25)
F480B	Deadlocking	Flat	2-3/4(70)	3/4(19)	1(25)

DO NOT SCALE



Notes:

1. When 4-7/8" (123.8) Strike is specified, refer to No 497 . Strike, Template No. 7102-0003.
2. When T-Strike is specified, refer to No. 371 Strike, Template 7102-0005.
3. Dimensions marked with * have tolerances of +1/32, -0.
4. All dimensions given in inches (mm).
5. Standard Locks adjustable for 1-3/8"(35) to 1-3/4"(44) door thicknesses..

Experience a safer
and more open world

**4700LN Series Lever Handle Cylindrical Locks - 1-1/8"
Wide Front
Wood Door Preparation (See ANSI/BHMA A156.115)
2-3/4" or 3-3/4" Backsets**

Template Number:
7150-0110
Sheet: 1 of 1
Date: 12/23

ASSA ABLOY

1-855-557-5078
www.assaabloy.com