

5390LN/5391LN & 4790LN/4791LN

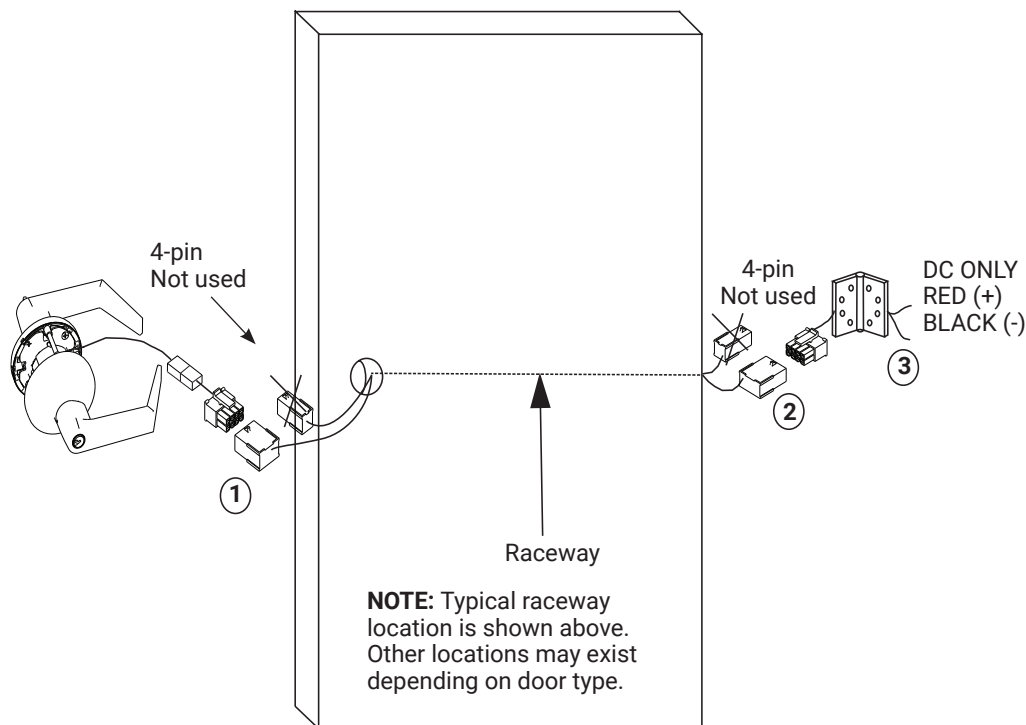
12VDC or 24VDC

Installation Instructions

ACCENTRA

ASSA ABLOY

Installation with an ElectroLynx® Door



1. Plug lock connector into mating 8-pin door connector. Install lock as per instruction sheets included. (P/N 80-9150-0010-010)
2. Verify that the hinge is connected to the door connector.
3. Wire hinge to power source. Refer to next page for wiring of the electric hinge.

Installation Notes

1. With new applications a raceway harness with 8-pin and 4-pin connectors will be pre-installed inside door by ASSA ABLOY door manufacturer when specified during ordering process. Raceway harness kits are available for retrofit applications and for doors manufactured by non-ASSA ABLOY manufacturers.
2. Wiring to pigtail harness is per facility wiring requirement. Follow individual instructions on next page.

⚠ WARNING

This product can expose you to lead which is known to the state of California to cause cancer and birth defects or other reproductive harm. For more information go to www.P65warnings.ca.gov.

⚠ WARNING

Attention Installer: Any retrofit or other field modification to a fire rated opening can potentially impact the fire rating of the opening, and ASSA ABLOY makes no representations or warranties concerning what such impact may be in any specific situation. When retrofitting any portion of an existing fire-rated opening, or specifying and installing a new fire-rated opening, please consult with a code specialist or local code official (Authority Having Jurisdiction) to ensure compliance with all applicable codes and ratings.

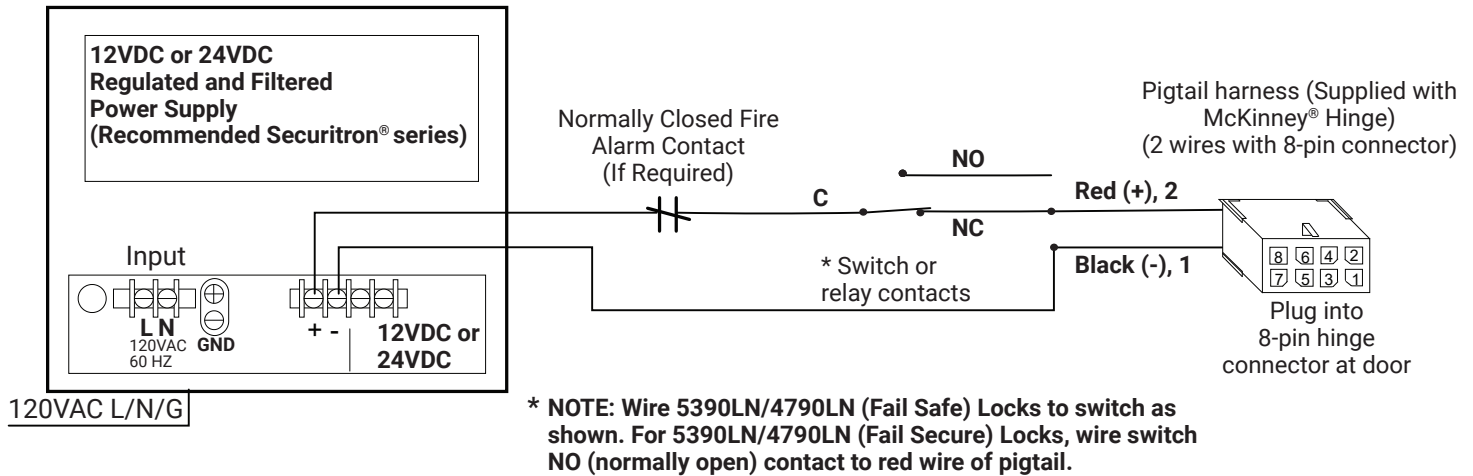
80-9470-0012-000 04/24

1-855-557-5078 Ext. 2 • www.accentra-assaabloy.com

Copyright © 2007, 2012, 2023, 2024, ASSA ABLOY ACCENTRA™ Access and Egress Hardware Group, Inc. All rights reserved. Reproduction in whole or in part without the express written permission of ASSA ABLOY Access and Egress Hardware Group, Inc. is prohibited.

Experience a safer
and more open world

Sample wiring for solenoid locks with a 12 or 24VDC Regulated and Filtered Power Supply (Wiring shows power on and lock in secure state)



Electric Hinge Wiring

1. Wire option A, B (see above) or other wiring requirement to pigtail harness of the hinge.
2. Ensure proper supply voltage is being applied at pigtail harness.

⚠ Caution: 24V+/- 10% depending on lock solenoid installed. If voltage falls outside these limits the lock solenoid may be damaged and/or may not function correctly.

1. Plug pigtail harness 8-pin connector into electric hinge 8-pin connector.
2. Test lock. Applying 12VDC or 24VDC unlocks fail secure lock and locks fail safe lock.

