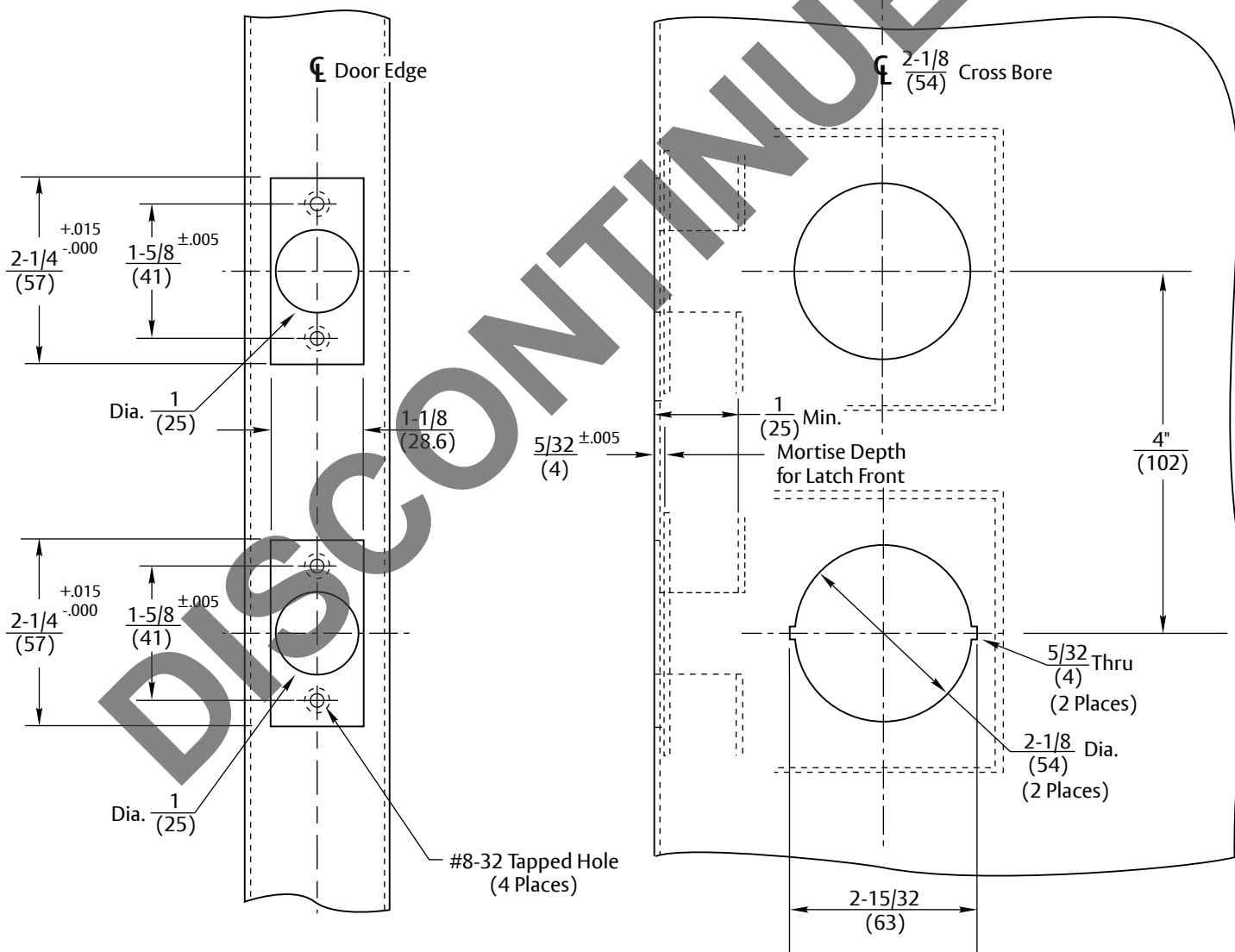
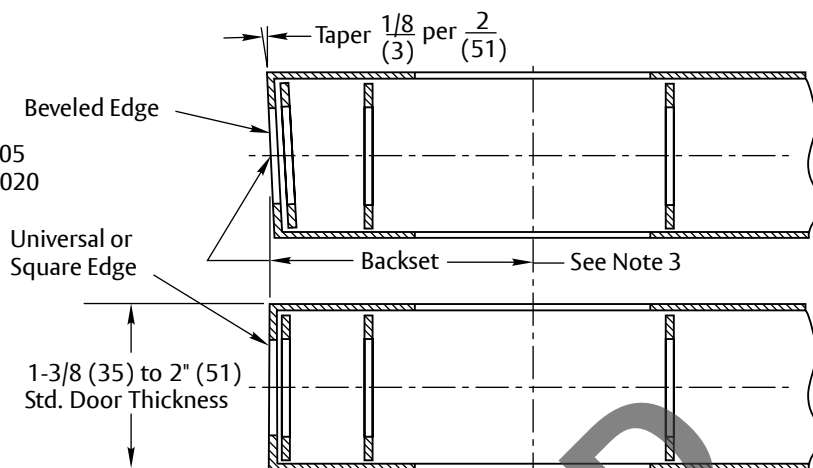


Notes:

1. Do not scale drawing
2. For strike preparation refer to:
371 Strike (Lockset) - Template No. 7102-0005
541 Strike (Deadbolt)- Template No. 7101-0020
3. Backset: 2-3/4 "(70mm) standard
2-3/8" (60mm) to order
4. For wood door preparation refer to
Template No. 7150-0075
5. Door manufacturer must provide supports
within the door to keep the door from
collapsing when lock is installed. Back of
latch case must also be supported.
6. All dimensions given in inches (mm).



RESPONSIBILITY

DOOR AND FRAME MANUFACTURERS ARE RESPONSIBLE FOR PROVIDING ADEQUATE CONSTRUCTION OR REINFORCEMENTS FOR PROPER INSTALLATION OF HARDWARE SHOWN. ALL ARCHITECTURAL BUILDERS HARDWARE MUST BE INSTALLED ON PROPERLY REINFORCED DOORS AND FRAMES, REGARDLESS OF TYPE, MATERIAL, OR METHOD OF CONSTRUCTION.

**4800LN Series Lever Interconnected Locks
1-1/8" (29mm) Wide Square Fronts**

H.M. Door Preparation
Backset- 2-3/4" (70mm) and 2-3/8" (60mm)

Contact us for support at 1-855-557-5078.

ASSA ABLOY

SUPERSEDES	08/05	DO NOT SCALE DRAWING	
TEMPLATE NUMBER	7150-0076	SHEET	1 of 1
		DATE	12-23