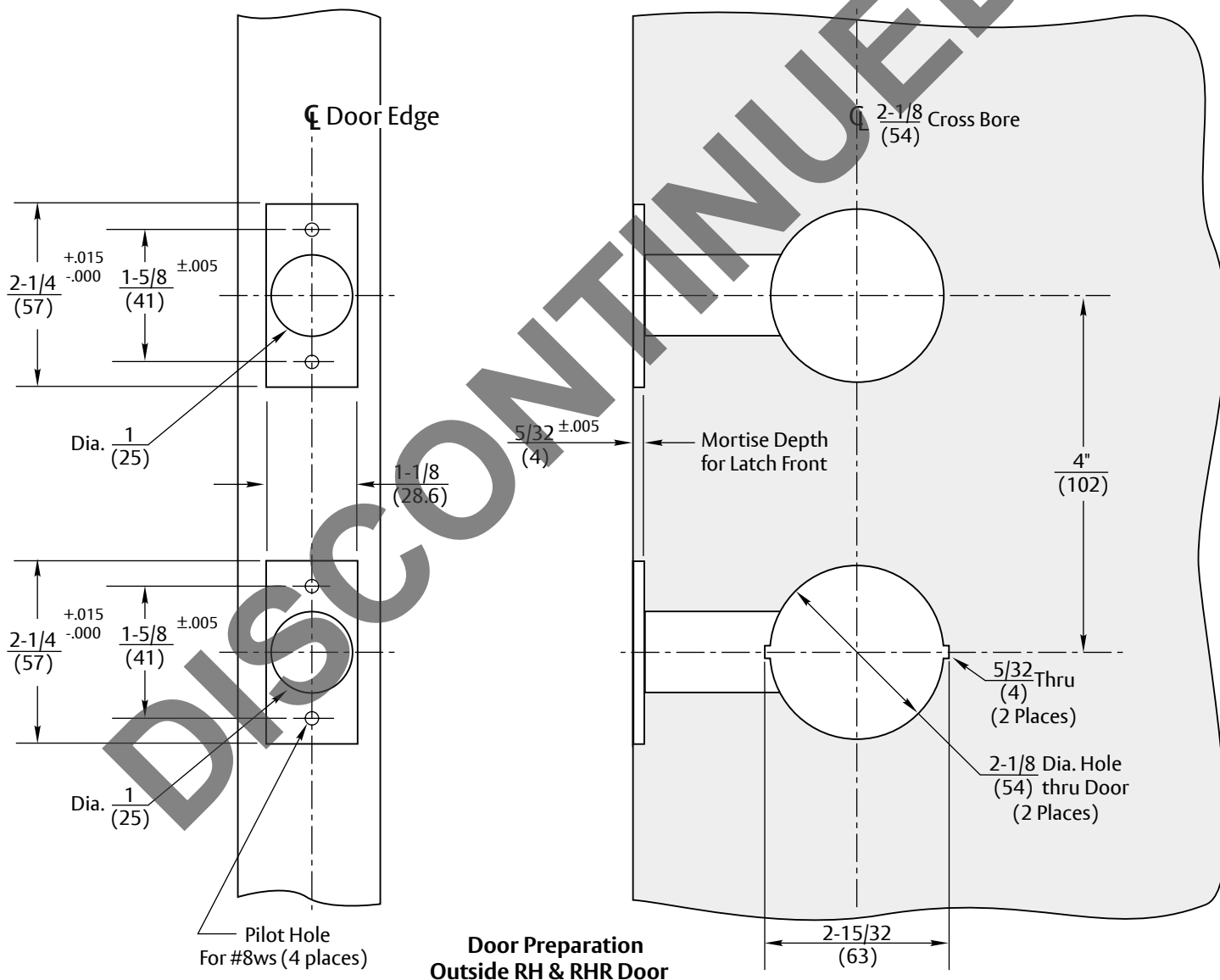
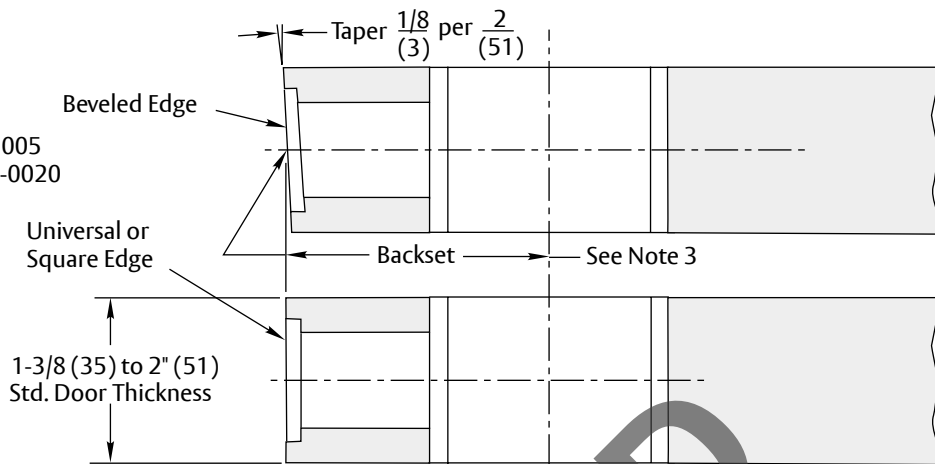


**Notes:**

1. Do not scale drawing
2. For strike preparation refer to:  
371 Strike (Lockset) - Template No. 7102-0005  
541 Strike (Deadbolt) - Template No. 7101-0020
3. Backset: 2-3/4" (70mm) standard  
2-3/8" (60mm) to order
4. For H.M. door preparation refer to  
Template No. 7150-0076
5. All dimensions given in inches (mm).



**RESPONSIBILITY**

DOOR AND FRAME MANUFACTURERS ARE RESPONSIBLE FOR PROVIDING ADEQUATE CONSTRUCTION OR REINFORCEMENTS FOR PROPER INSTALLATION OF HARDWARE SHOWN. ALL ARCHITECTURAL BUILDERS HARDWARE MUST BE INSTALLED ON PROPERLY REINFORCED DOORS AND FRAMES, REGARDLESS OF TYPE, MATERIAL, OR METHOD OF CONSTRUCTION.

**4800LN Series Lever Interconnected Locks**  
**1-1/8" (29mm) Wide Square Fronts**  
 Wood Door Preparation  
**Backset - 2-3/4" (70mm) and 2-3/8" (60mm)**  
**Contact us for support at 1-855-557-5078.**

**ASSA ABLOY**

SUPSEDES	08/05	DO NOT SCALE DRAWING	
TEMPLATE NUMBER	7150-0075	SHEET	1 of 1
		DATE	12-23