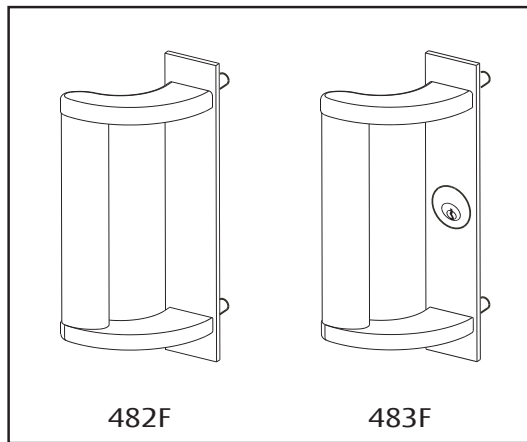
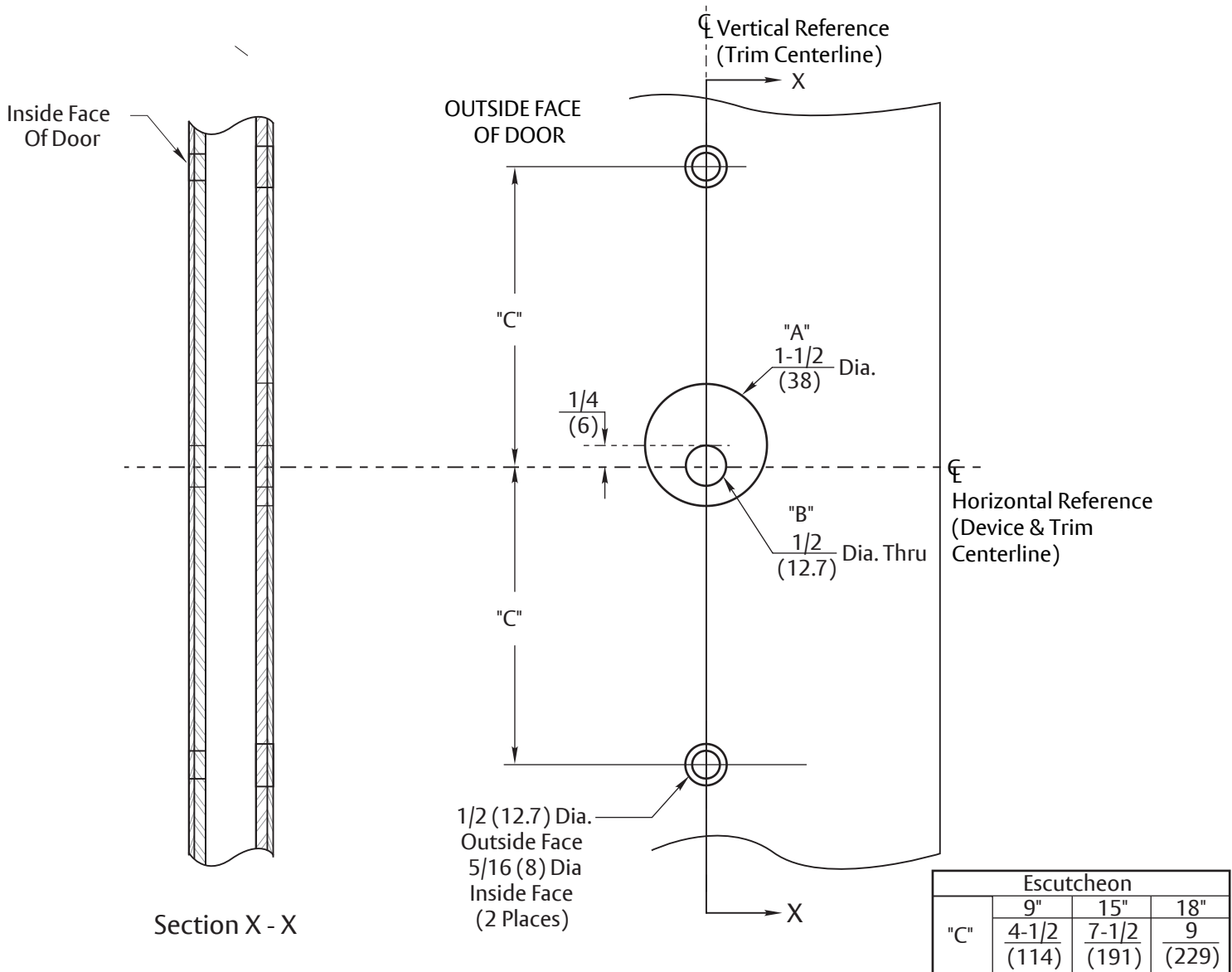


Notes:

1. This template is an addition to the device template. Locate centerlines using horizontal and vertical references on device template.
2. Do not scale drawing
3. Dimensions are in inches (mm).
4. LHR door shown. Preparation is typical for both door hands.
5. Provide adequate structural support to maintain door integrity during operation.
6. Prepare mounting holes when installing the trim.
7. Dimensions given about a centerline are symmetrical.
8. For 483F use "A" and "B" holes. For 482F DO NOT use.



Note: Lever and knob prefix does not affect door prep



RESPONSIBILITY
 DOOR AND FRAME MANUFACTURERS ARE RESPONSIBLE FOR PROVIDING ADEQUATE CONSTRUCTION OR REINFORCEMENTS FOR PROPER INSTALLATION OF HARDWARE SHOWN. ALL ARCHITECTURAL BUILDERS HARDWARE MUST BE INSTALLED ON PROPERLY REINFORCED DOORS AND FRAMES, REGARDLESS OF TYPE, MATERIAL, OR METHOD OF CONSTRUCTION.

482F & 483F Trim
 9", 15", and 18" Escutcheon, Metal Door Preparation
 For use with 6200 & 7200(F)
 Series Rim and Vertical Rod Exit Devices
Contact us for support at 1-855-557-5078.

ASSA ABLOY

SUPERSEDES 7400-0482 05/15	DO NOT SCALE DRAWING	
TEMPLATE NUMBER	7400-0482	DATE 01-24