

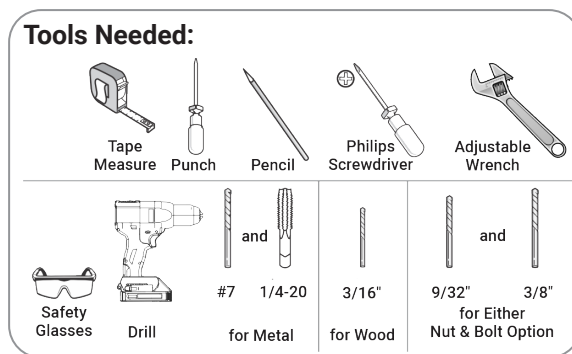
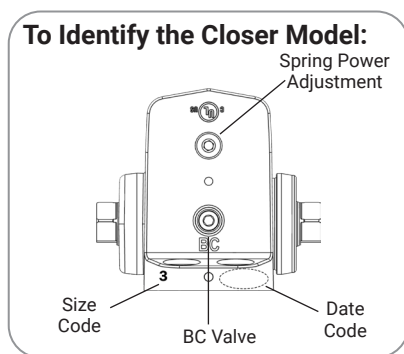
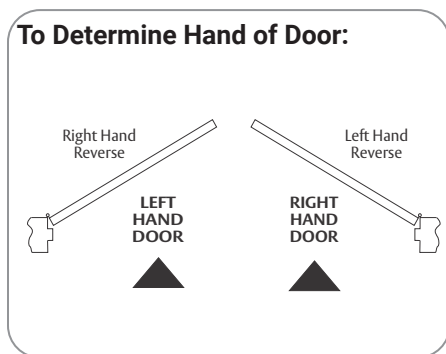
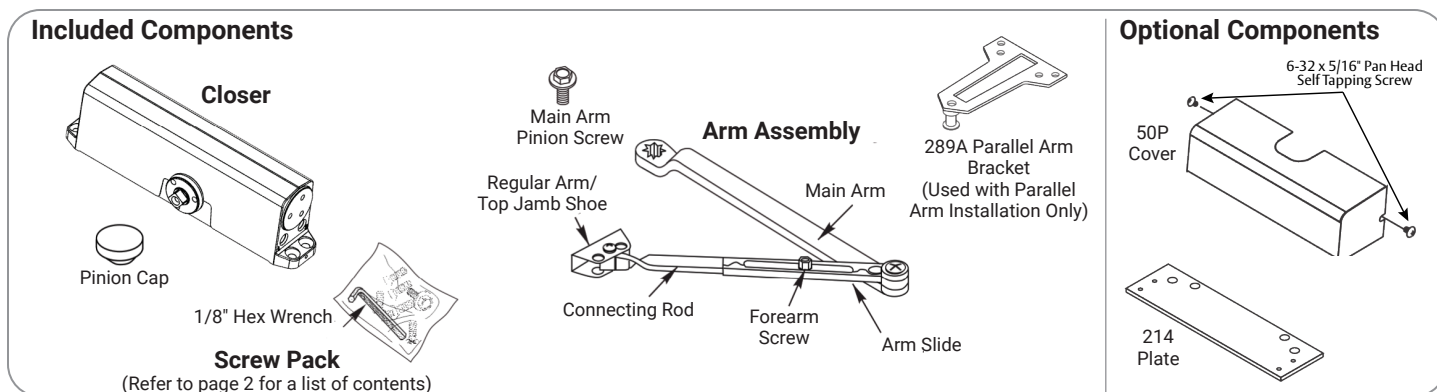
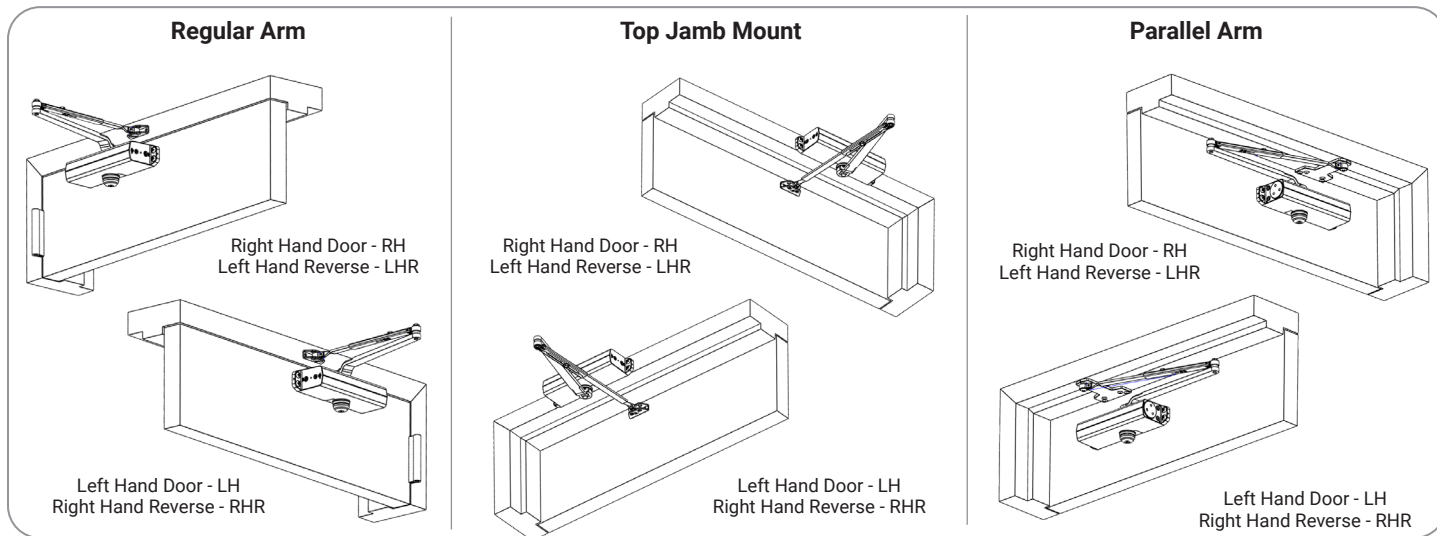
50 Series Door Closer

Model 51

Regular, Top Jamb, and Parallel Arms, Non-Hold Open
Installation Instructions

ACCENTRA

ASSA ABLOY



⚠ WARNING

This product can expose you to lead which is known to the state of California to cause cancer and birth defects or other reproductive harm. For more information go to www.P65warnings.ca.gov.

⚠ WARNING

Attention Installer: Any retrofit or other field modification to a fire rated opening can potentially impact the fire rating of the opening, and ASSA ABLOY makes no representations or warranties concerning what such impact may be in any specific situation. When retrofitting any portion of an existing fire-rated opening, or specifying and installing a new fire-rated opening, please consult with a code specialist or local code official (Authority Having Jurisdiction) to ensure compliance with all applicable codes and ratings.

855-557-5078 x 2 • www.accentra-assaabloy.com

Copyright © 2016, 2023, 2024, ASSA ABLOY ACCENTRA™ Access and Egress Hardware Group, Inc. All rights reserved. Reproduction in whole or in part without the express written permission of ASSA ABLOY Access and Egress Hardware Group, Inc. is prohibited.

80-9350-2531-010 Rev 3 05/24

Experience a safer
and more open world


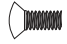




ATTENTION:

An incorrectly installed or improperly adjusted door closer can cause property damage or personal injury. These installation instructions should be followed to avoid the possibility of misapplication or misadjustment.

- For special applications, a separate door and frame preparation template is packed with these instructions. Use this instruction sheet for installation sequence and closer adjustments only.
- Doors should be hung on ball bearing or anti-friction hinges.
- A separate door stop is recommended.

- Always consult door/frame manufacturer for fastener compatibility.
- Door and frame must be properly reinforced.
- Adjust closing time speed between 3 and 7 seconds from 90° to 0°.
- These door closers should NOT be installed on exposed side (weather side) of exterior doors.
- Dimensions are given in inches (millimeters).

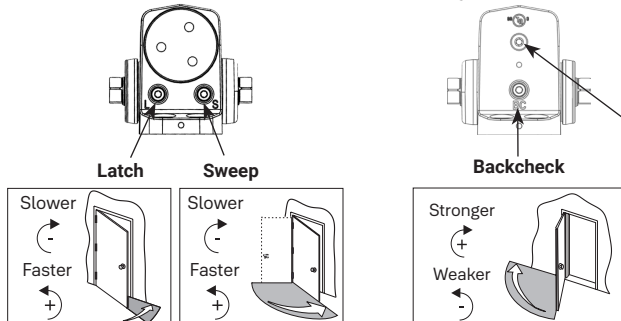
Supplied Hardware

Mounting Hardware		Door or Frame	Drill
	Closer, PA Bracket: 1/4-14 x 1-1/2 Oval Flat Head Self Drilling Screw	Wood/Metal	3/16" (4.8mm) for wood
	Closer, PA Bracket: 1/4-20 x 3/4 Oval Flat Head Mach. Screw	Metal	Drill #7 (.201 dia. or 5.1mm) Tap 1/4-20
	Arm Shoe to Jamb or Door: 1/4-20 x 5/8 Round Head Mach. Screw		
	Arm Shoe to Jamb or Door: 1/4-14 x 1-1/2 Round Head Self Drilling Screw	Wood/Metal	3/16" (4.8mm) for wood
	Closer: Sleeve Nut and Bolt (SNB) (optional) with 1/4-20 x 3/4 Oval Flat Head Mach. Screw (recommended)	Hollow Metal	9/32" (7.0mm) thru 3/8" (9.5mm) door face opposite to closer
		Aluminum or Wood	3/8" (9.5mm) thru
	Closer: Thru Bolt and Grommet Nut (TBGN) (optional)	All	9/32" (7.0mm) thru 3/8" (9.5mm) dia. x 3/8" (9.5mm) deep, door face opposite to closer


Closer Adjustments

 Use provided hex wrench to turn valves. NEVER force valves out of closer. NEVER completely close backcheck valve. Door must be open to adjust spring closing power. Refer to the chart.

Use of a power drill will void the Warranty.

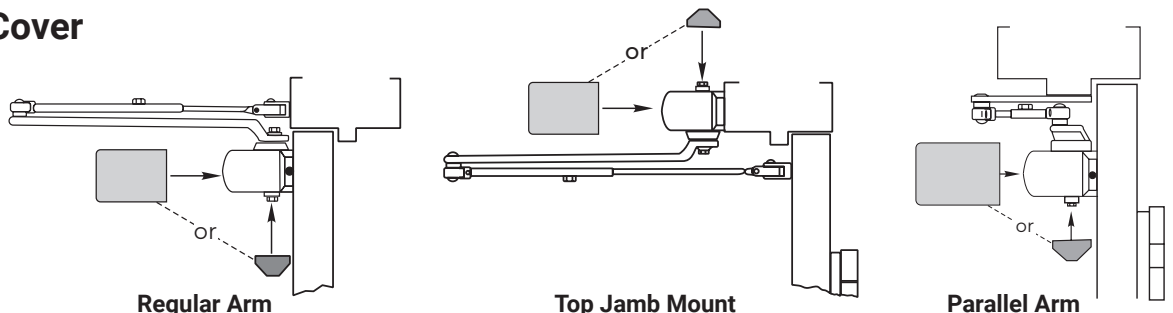


Spring Closing Power			Number of Turns Required					
Door	Type of Installation *	*	Maximum Door Size					
			34" (0.85M)	36" (0.90M)	40" (1.00M)	44" (1.10M)	48" (1.20M)	
51	Interior	Full 360° Turns	Regular Arm Top Jamb	2	4	6	10	12
			Parallel Arm	3	5	8	11	14
	Exterior		Regular Arm Top Jamb	3	5	8	11	14
			Parallel Arm	5	8	11	16	19

*30 Full (360°) turns maximum available  = turns as shipped

Pinion Cap or Cover

 Do not over tighten cap or cover screws.



Experience a safer
and more open world

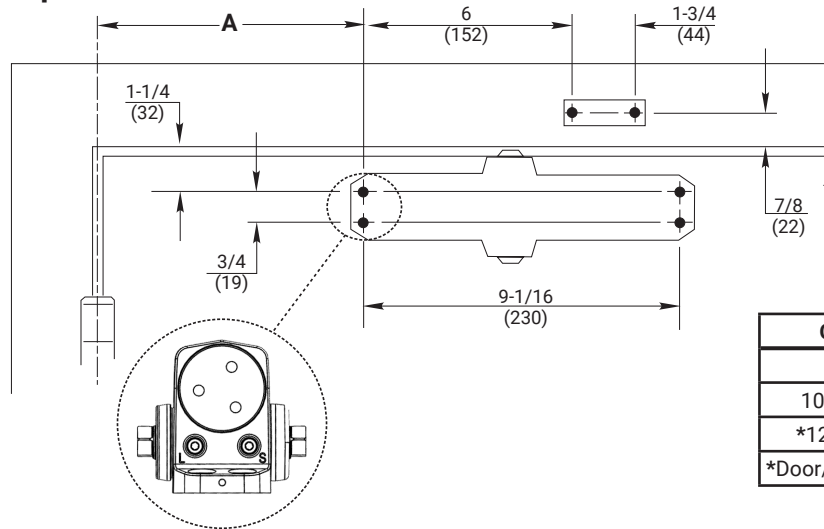
Model 51

Regular, Top Jamb, and Parallel Arms, Non-Hold Open

ACCENTRA
ASSA ABLOY

Regular Arm Installation (Right Hand Shown)

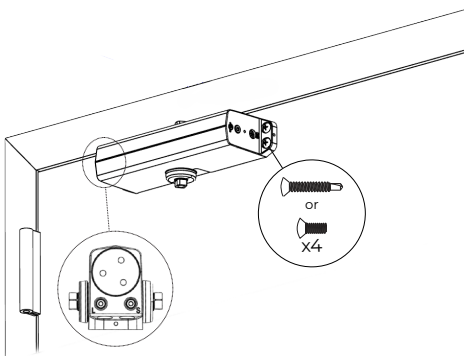
A. Prepare door and frame.



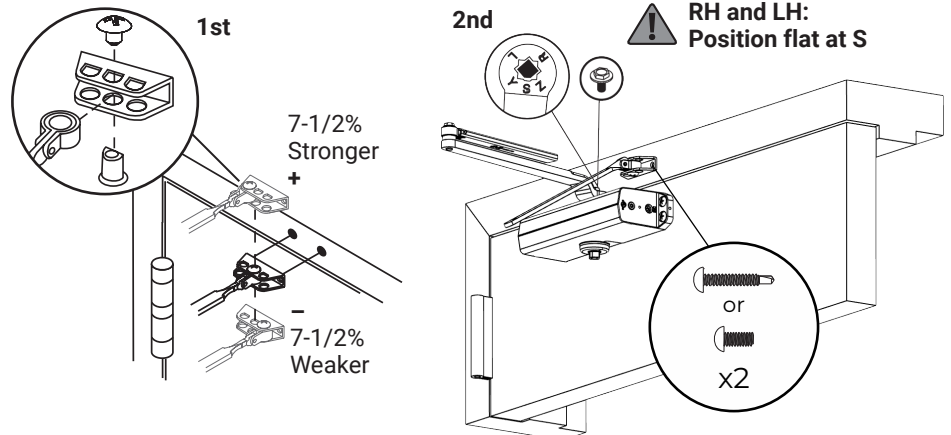
Opening	Dimension "A"
to 100°	7 (178)
101° to 120°	6 (152)
*121° to 180°	3-1/2 (89)

*Door/Wall/Hardware/Jamb conditions permitting

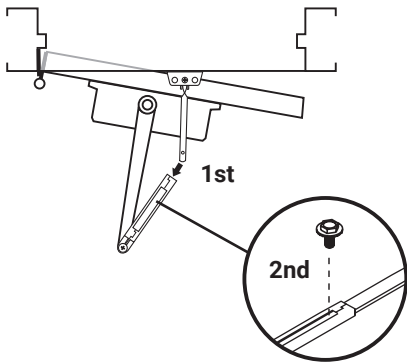
B. Mount closer to door.



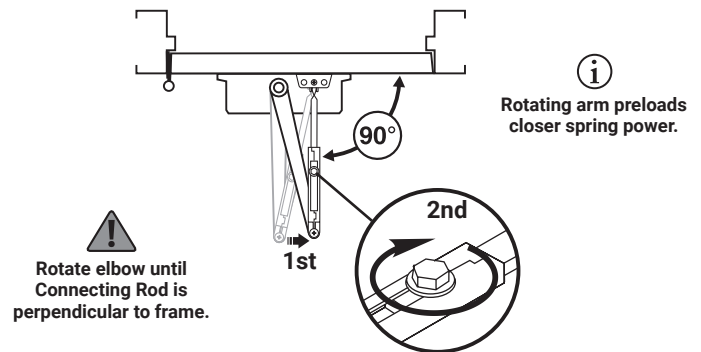
C. Choose arm placement in shoe and install arms.



D. Connect arms and install forearm screw.



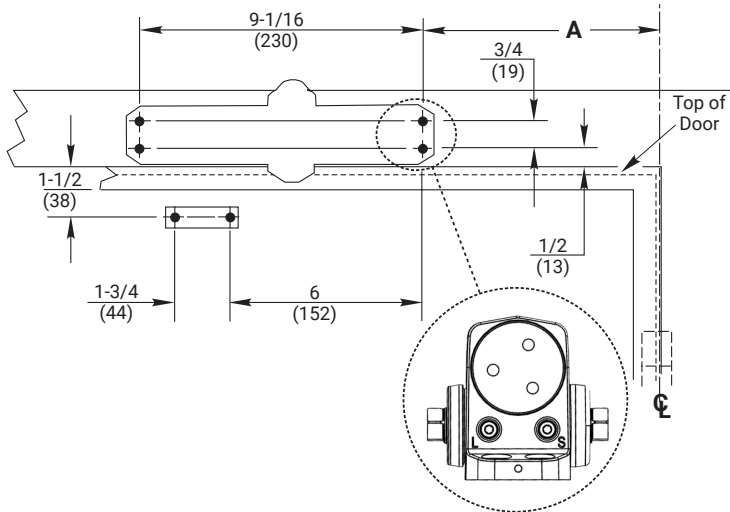
E. Preload spring and tighten forearm screw.



● Go to page 2 for closer adjustments and decorative cap or cover installation.

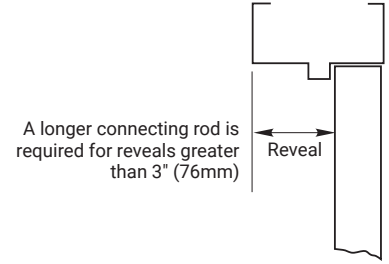
Top Jamb Arm Installation (Right Hand Shown)

A. Prepare door and frame.

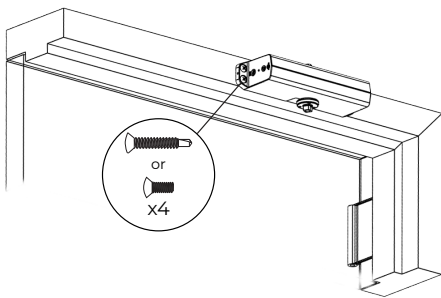


Opening	Dimension "A"
to 100°	7-1/2 (191)
101° to 120°	6 (152)
*121° to 180°	3-1/2 (89)

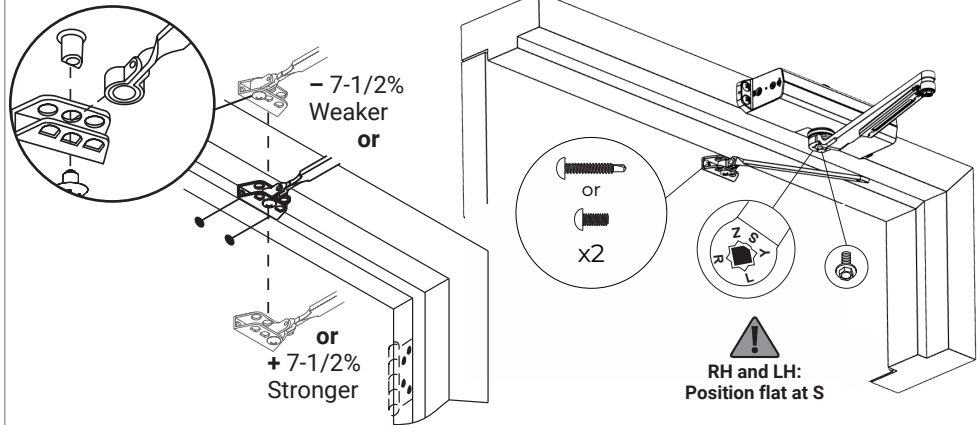
*Door/Wall/Hardware/Jamb conditions permitting



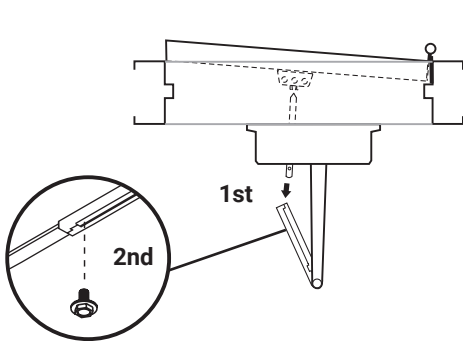
B. Mount closer to frame.



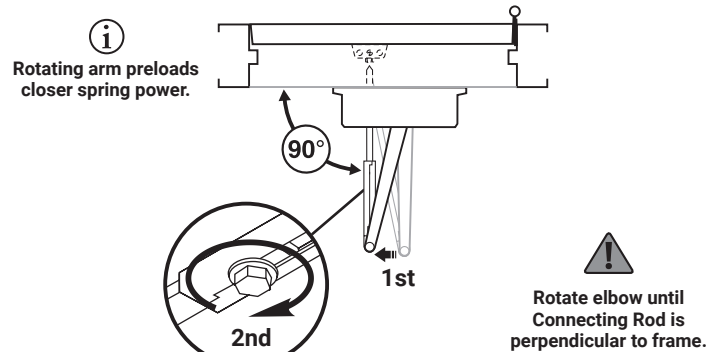
C. Choose arm placement in shoe and install separate arms.



D. Connect arms and install forearm screw.



E. Preload spring and tighten forearm screw.



● Go to page 2 for closer adjustments and decorative cap or cover installation.

Model 51

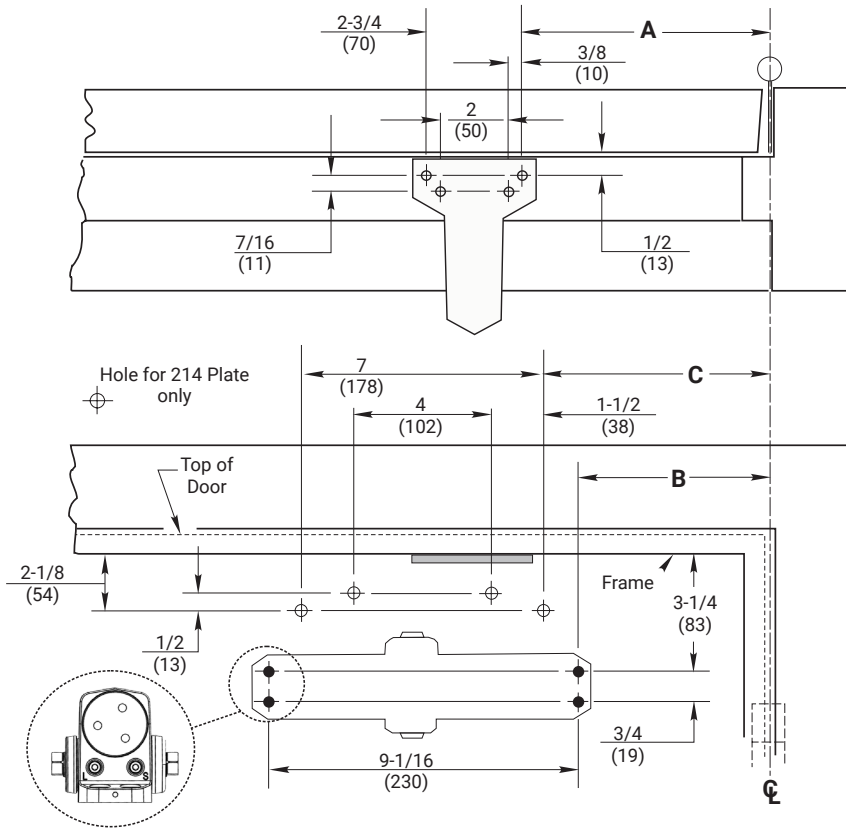
Regular, Top Jamb, and Parallel Arms, Non-Hold Open

ACCENTRA

ASSA ABLOY

Parallel Arm Installation (Right Hand Shown)

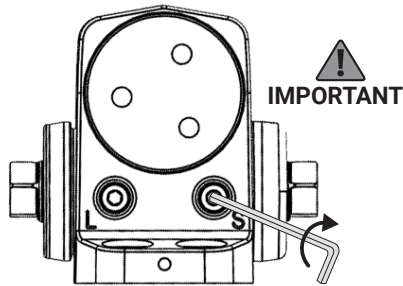
A. Prepare door and frame.



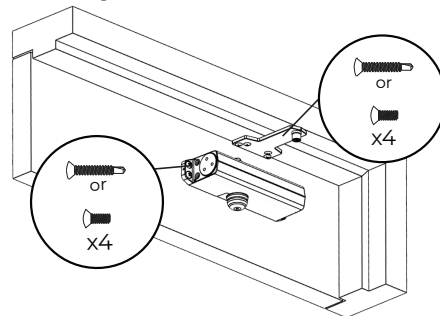
Door Opening	Dimension "A"	Dimension "B"	Dimension "C"
to 100°	9-1/4 (235)	7-5/8 (194)	8-5/8 (219)
101° to 130°	7-3/4 (197)	6-1/8 (156)	7-1/8 (181)
*131° to 180°	5-3/4 (146)	4-1/8 (105)	5-1/8 (130)

*Door/Wall/Hardware/Jamb conditions permitting

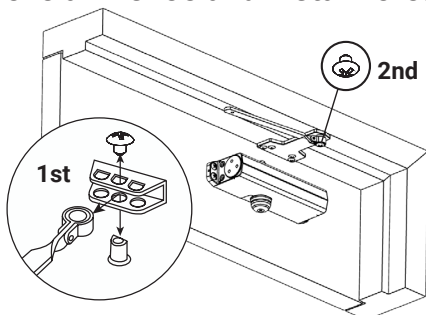
B. Close latch and sweep valves.



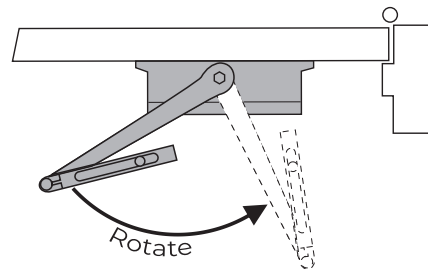
C. Install soffit plate and mount closer.



D. Remove arm shoe and install forearm to plate.

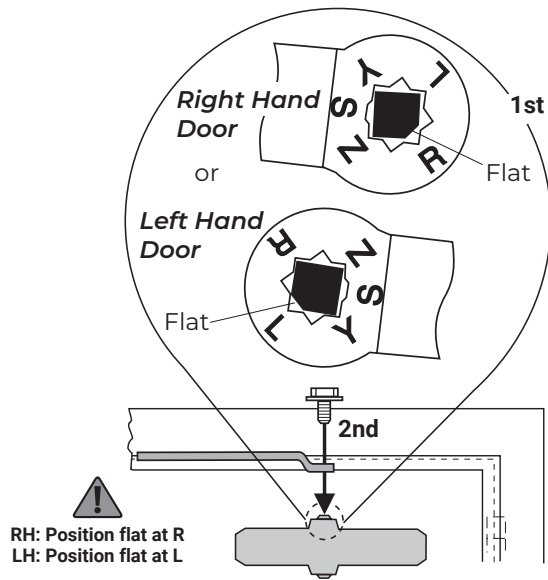


E. Place main arm on closer spindle and rotate

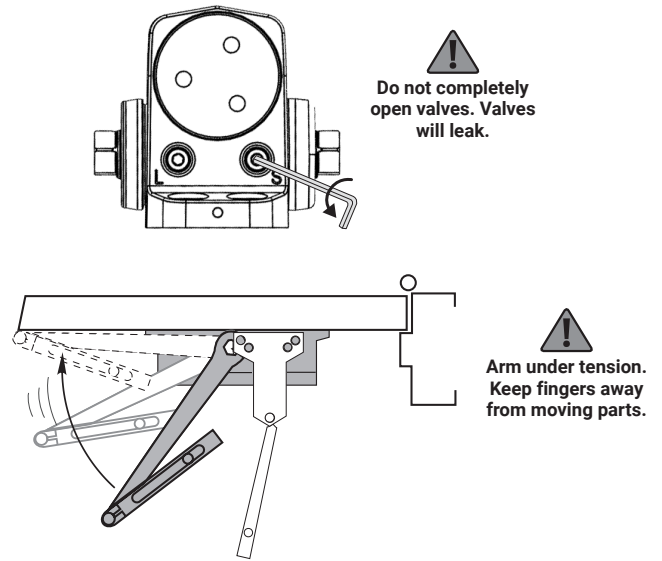


50 Series Parallel Arm Installation (Right Hand Shown) cont.

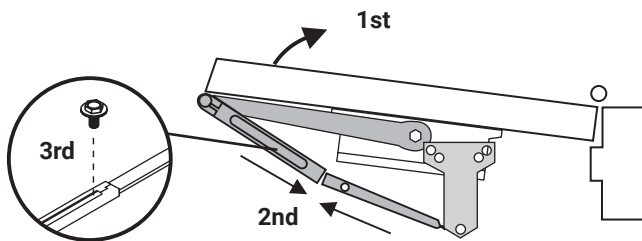
F. Remove arm and attach as shown.



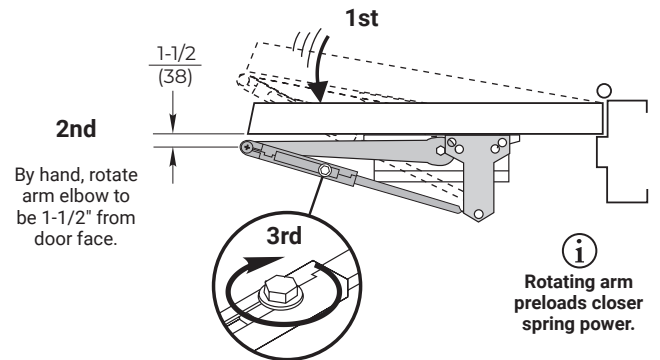
G. Open latch and sweep valves.



H. Connect arms and install forearm screw.



I. Preload spring and tighten forearm screw.



● Go to page 2 for closer adjustments and decorative cap or cover installation.