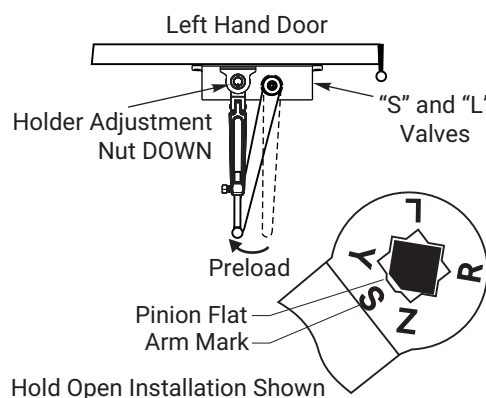
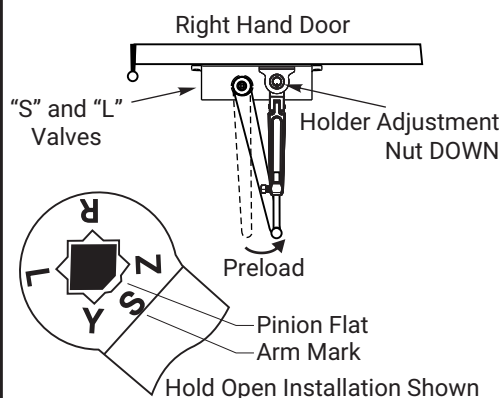


| Opening | Dimension "A" |
|--------------|---------------|
| To 100° | 7 (178) |
| 101° to 120° | 6 (152) |
| over 120° | 3-1/2 (89) |

NOTES:

1. Do not scale drawing.
2. Right hand door shown.
3. Dimensions given in inches (millimeters).
4. Door swing may be limited by door, frame, wall or hardware conditions.
5. Hollow metal doors require channel or box type reinforcement when thru-bolt mount is specified.
6. Sleeve nuts and bolts may be required for wood or plastic faced fire door mounting.
7. Minimum thickness recommended for reinforcements in hollow metal doors and frames: .1046" (2.6mm) unless otherwise noted.
8. Hold open arm door closers are not permitted to be used on fire doors.

Position of Arm and Pinion Flat



| Fastener | Door or Frame | Drill |
|--------------------------------|------------------|--|
| #14 type "A" sheet metal screw | wood | 7/32" (5.5mm) |
| 1/4-20 machine screw | metal | #7 (.201" dia.) or 5.10mm drill 1/4"-20 tap |
| SNB (optional) | hollow-metal | 9/32" (7.00mm) thru 3/8" (9.50mm) door face opposite to closer |
| | aluminum or wood | 3/8" (9.50mm) thru |
| TBGN (optional) | all | 9-32" (7.00mm) thru 3/8" (9.50mm) diameter x 3/8" (10mm) deep, door face opposite to closer |

**50 Series Door Closers
 Models 51 and 151**

**Regular Arm Application, Non-Hold Open or Hold Open
 Multi-size Unit 1-6**

ACCENTRA
ASSA ABLOY

| | | |
|-----------------|-----|-------|
| TEMPLATE NUMBER | REV | DATE |
| 7350-1102 | 3 | 05/24 |