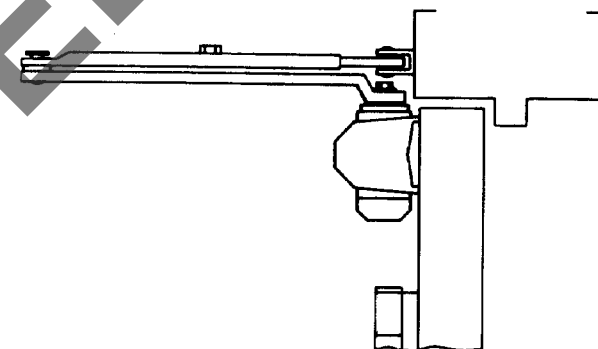


Opening	Dim. A
To 100°	$\frac{7-1}{2}$ (191)
101° to 180°*	$\frac{4-1}{4}$ (108)

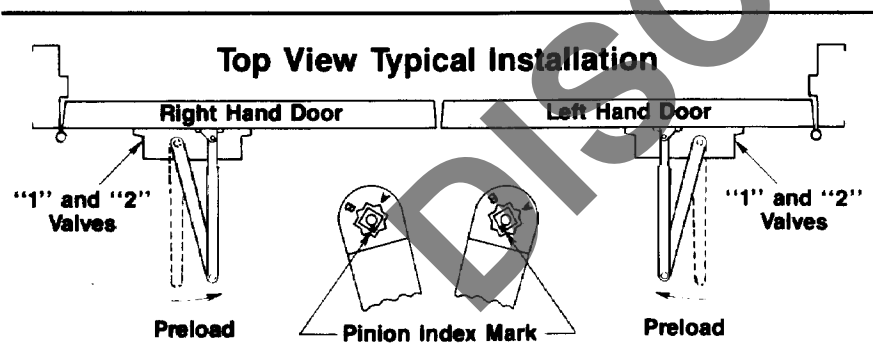
* Conditions Permitting



Notes:

1. Do not scale drawing.
2. Right hand door shown.
3. Dimensions are in inches (mm) unless otherwise noted.
4. Door swing may be limited by door, frame, wall or hardware conditions.
5. Hollow metal doors require channel or box type reinforcement when thru bolt mount is specified.
6. Sex bolts may be required for wood or plastic faced fire door mounting.
7. Minimum thickness recommended for reinforcements in hollow metal doors and frames: .1046" (2.66mm) unless otherwise noted.

Preparation for Fasteners		
Type of Fastener	Door or Frame	Preparation
#14 type "A" Sheet Metal Screw	Wood	7/32" (5.5mm)
1/4-20 Machine Screw	Hollow Metal	#7 (.201" dia.) or 5.10mm drill - 1/4-20 tap
SNB (Sex nut and bolt) (Optional)	Hollow Metal	9/32" (7.00mm) thru 3/8" (9.50mm) door face Opposite to closer
	Aluminum or Wood	3/8" (9.50mm) thru
TBGN (Thru bolt and grommet nut) (Optional)	All	9/32" (7.00mm) thru 3/8" (9.50mm) dia. 3/8" (10mm) deep, door face opposite to closer



**5100 or 5100BC Series Door Closers
Door and Frame Preparation Template
Regular Non-Hold Open Arm Application
Sizes 1 Thru 4**

Yale

Yale Commercial Locks and Hardware

www.yalecommercial.com

TEMPLATE NUMBER	DATE
80-7351-0001-010	6-97