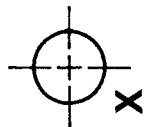
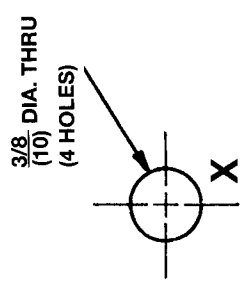


# Installation Instructions

1. Check box contents, assemble pull (if used). See other side for components and instructions.
2. After marking door inside face for device location (Device Instructions), carry "Vertical Reference Centerline" from inside door face. Follow steps 2a. and 2b. below, in Figure 2.
3. Carry "Horizontal Reference Centerline" from inside to outside door face.
4. Align trim template and tape to door outside face.  
**CAUTION:** Office copiers and facsimile machines may change the size of a drawing and make the template inaccurate to use as a door marker. If this is not the original template packed with the trim, use only the dimensions written on the template to locate the holes on the door (do not use the template as a door marker).
5. Spot holes and prepare door for trim.
6. Mount trim to door. Fasten finger tight only with 2 screws and washers seating on door, as shown in Figure 1, plus one engaged to escutcheon bottom stud.
7. Continue as shown in device instructions.

## DOOR OUTSIDE FACE



☒ VERTICAL REFERENCE (☒ Trim)

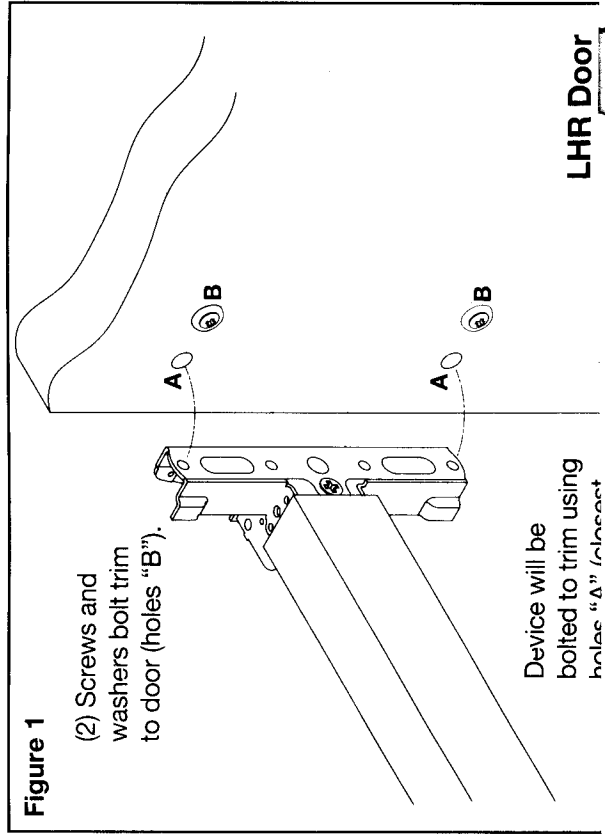
3-5/8  
(92)

☒ HORIZONTAL REFERENCE (☒ Device & Trim)

3-5/8  
(92)

3-1/2  
(89)

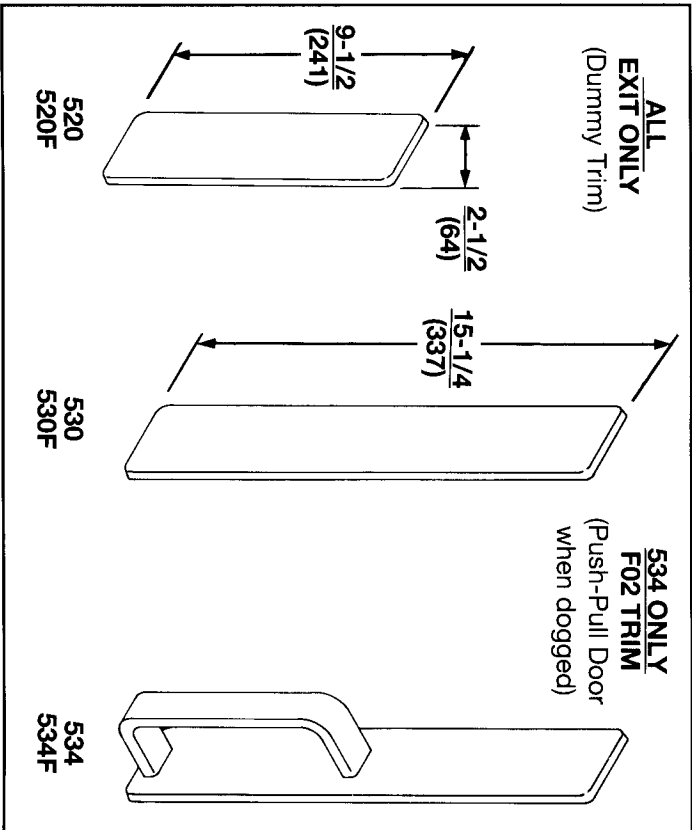
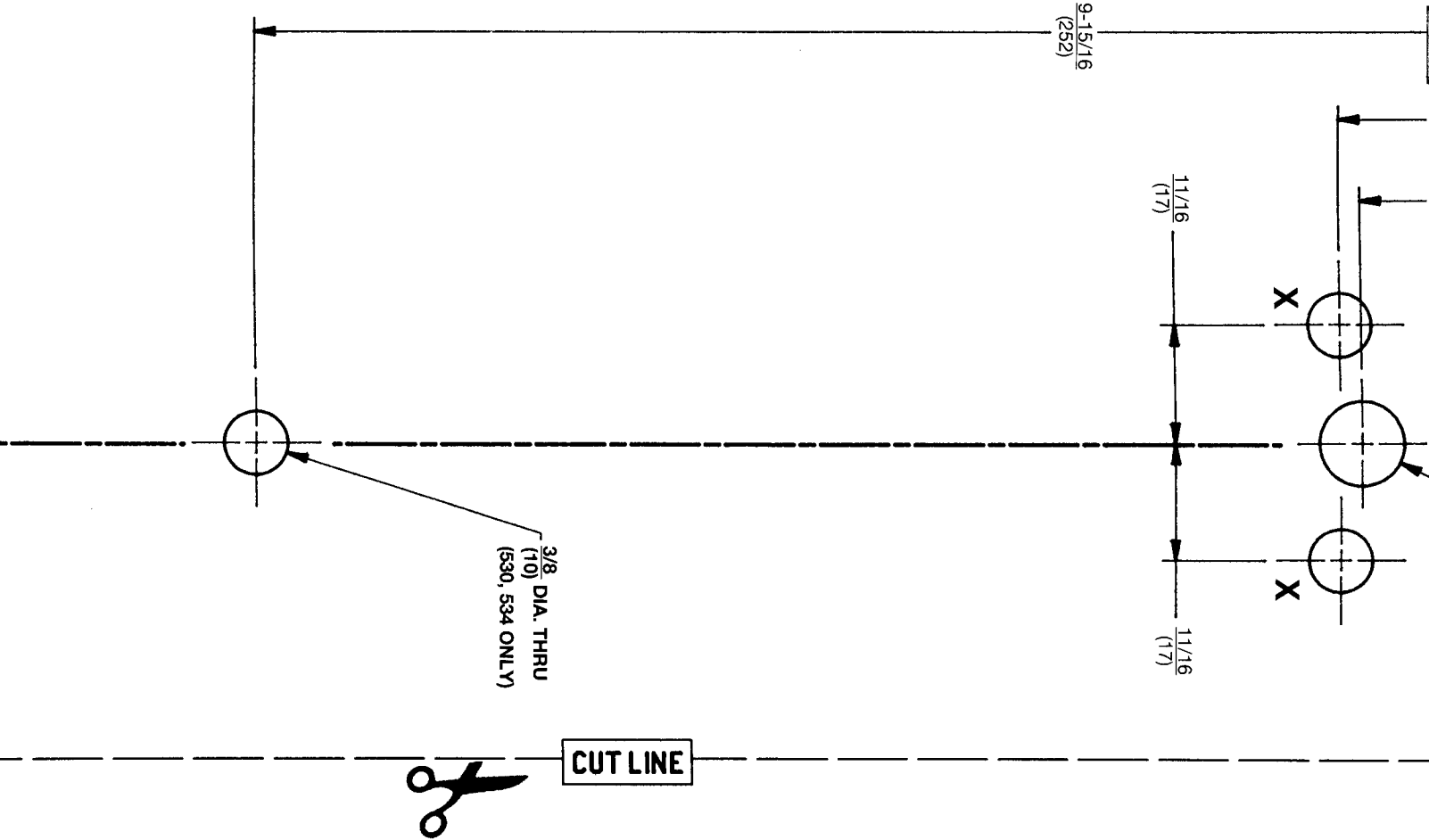
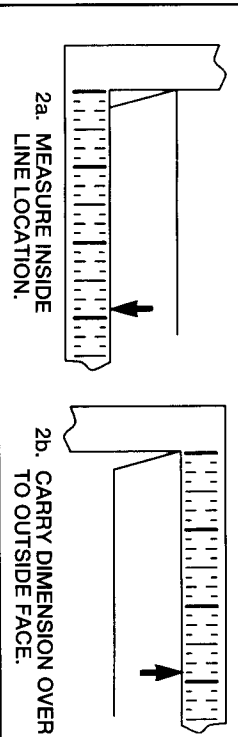
1/2 DIA. x  
(13)  
1/8 DEEP  
(3)  
(534 ONLY)



to door lock edge).

Shown

Figure 2

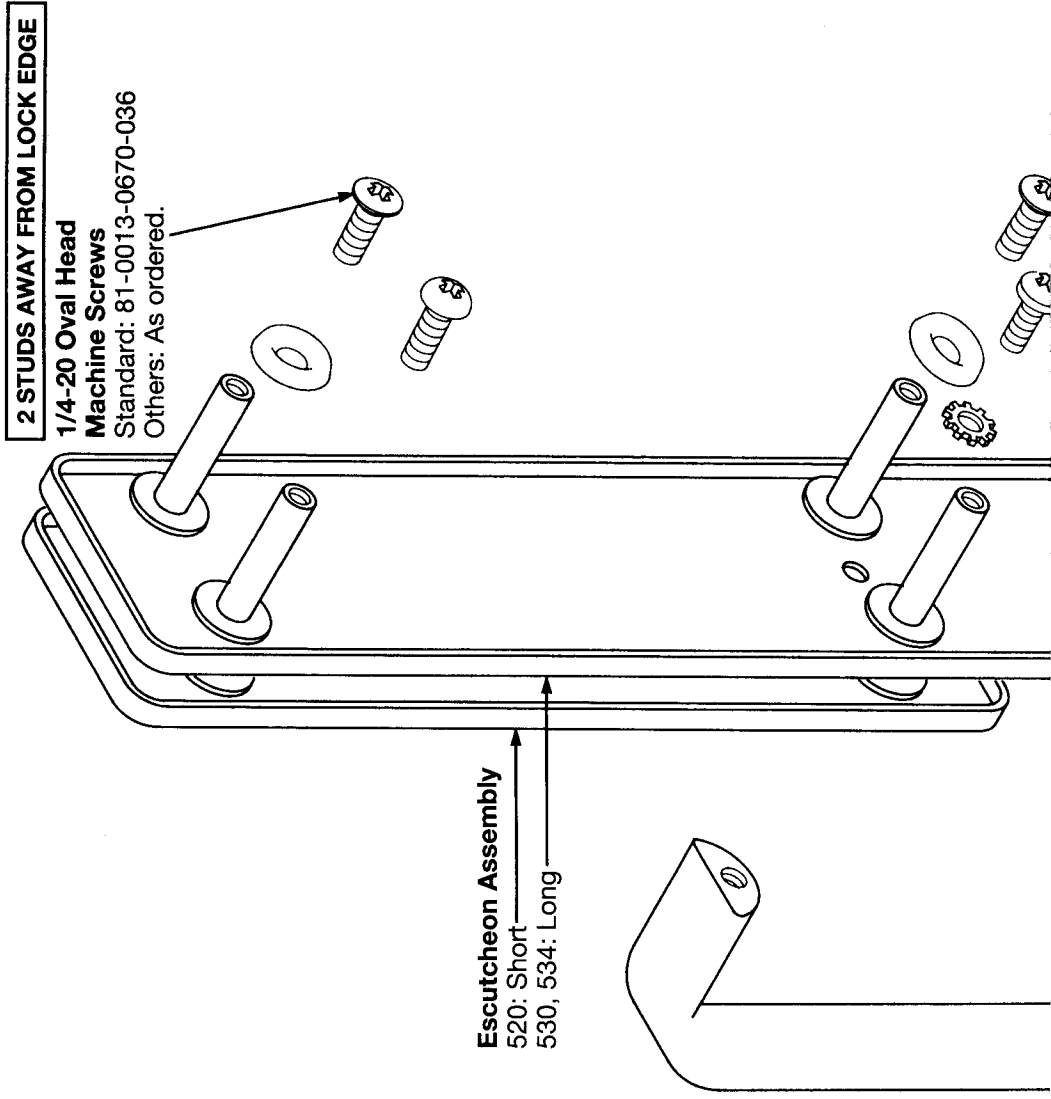


Dimensions given in inches (mm).

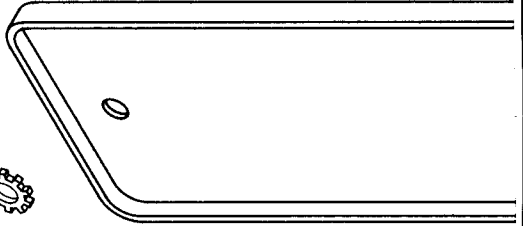
**Yale® 520(F), 530(F) & 534(F)**  
**Series Trim**  
**Installation Template**

# 520(F), 530(F) & 534(F) TRIM COMPONENTS

534(F) Trim Only: Assemble Pull as shown.  
Use Components marked (\*).



**Pull\***  
60-0010-7639 x Finish  
60-0010-2639 x Finish



**1/4-20 Round Head  
Machine Screw\***  
81-0010-0664-036

**2 STUDS TOWARD LOCK EDGE**

**1/4-20 Round Head  
Machine Screws**  
1-3/4" (44mm) Door: Packed  
with device.  
Others: As ordered.

**(2) Lock Washers**  
99-9999-7154-036

**Threaded Post\***  
60-7000-1039-048

**#14 Finishing Washer**  
520: (2). Omit this one.  
530, 534: (3)  
999-9999-7156-036

**1/4-20 Oval Head  
Machine Screw**  
(Omit for 520)  
Standard: 81-0013-0670-036  
Others: As ordered.