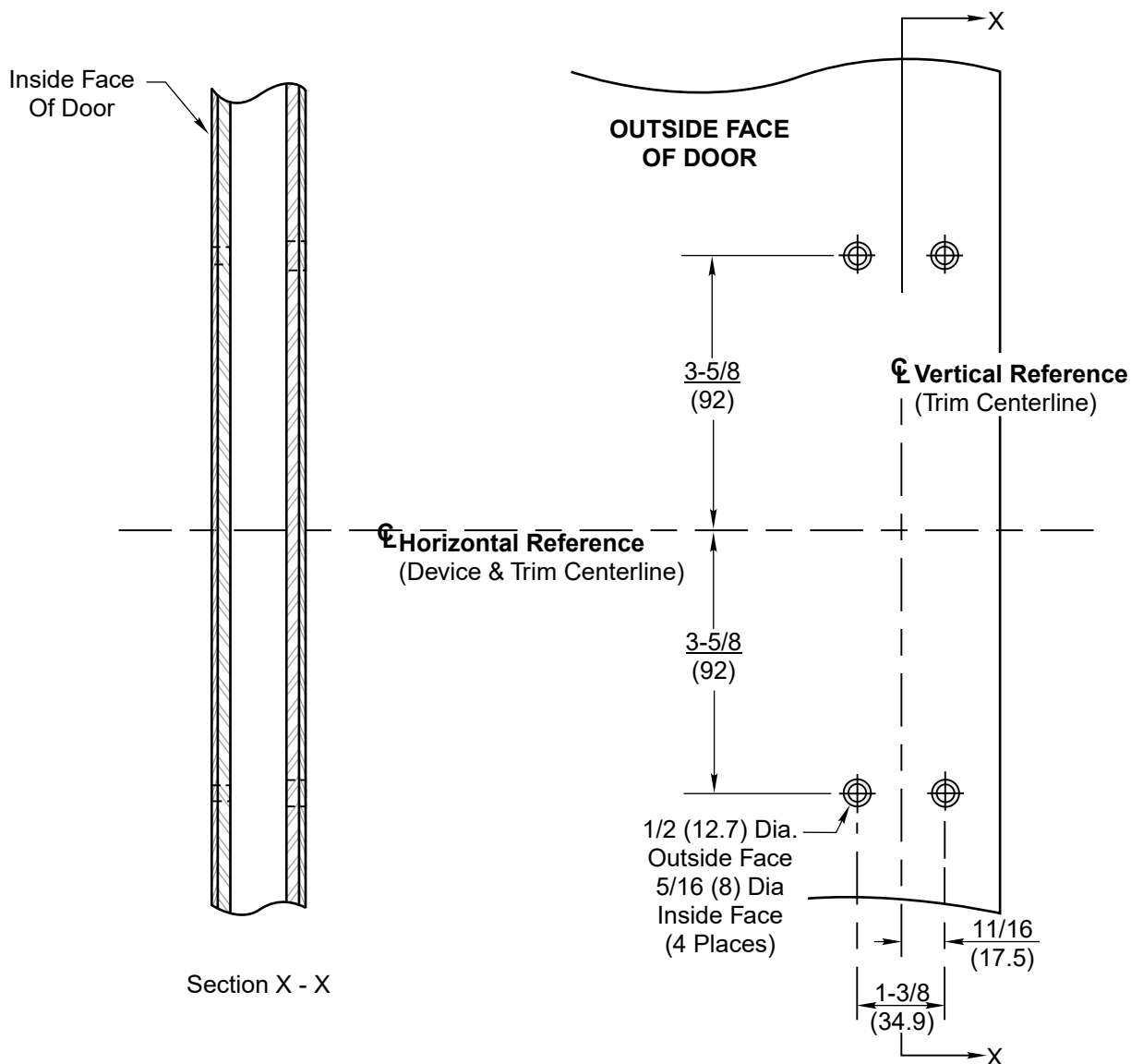
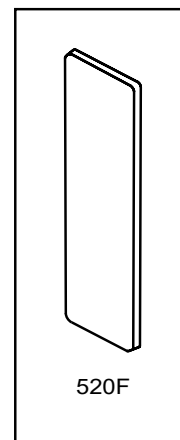


Notes:

1. This template is an addition to the device template. Locate centerlines using horizontal and vertical references on device template.
2. Do not scale drawing
3. Dimensions are in inches (mm).
4. LHR door shown. Preparation is typical for both door hands.
5. For door reinforcement see template 7400-0000.
6. Prepare mounting holes when installing the trim.
7. Provide adequate internal support to prevent door deformation after trim is bolted to the device.



Section X - X

**RESPONSIBILITY**

DOOR AND FRAME MANUFACTURERS ARE RESPONSIBLE FOR PROVIDING ADEQUATE CONSTRUCTION OR REINFORCEMENTS FOR PROPER INSTALLATION OF HARDWARE SHOWN. ALL ARCHITECTURAL BUILDERS HARDWARE MUST BE INSTALLED ON PROPERLY REINFORCED DOORS AND FRAMES, REGARDLESS OF TYPE, MATERIAL, OR METHOD OF CONSTRUCTION.

**520F Trim**  
 With 1500(F), 2100(F) or 7100(F) Series  
 Rim, Mortise and Vertical Rod Exit Devices  
 Metal Door Preparation  
**Contact us for support at 1-855-557-5078.**

**ASSA ABLOY**

SUPERSEDES 7400-0520 03/06	DO NOT SCALE DRAWING
TEMPLATE NUMBER	DATE
7400-0520	01-24