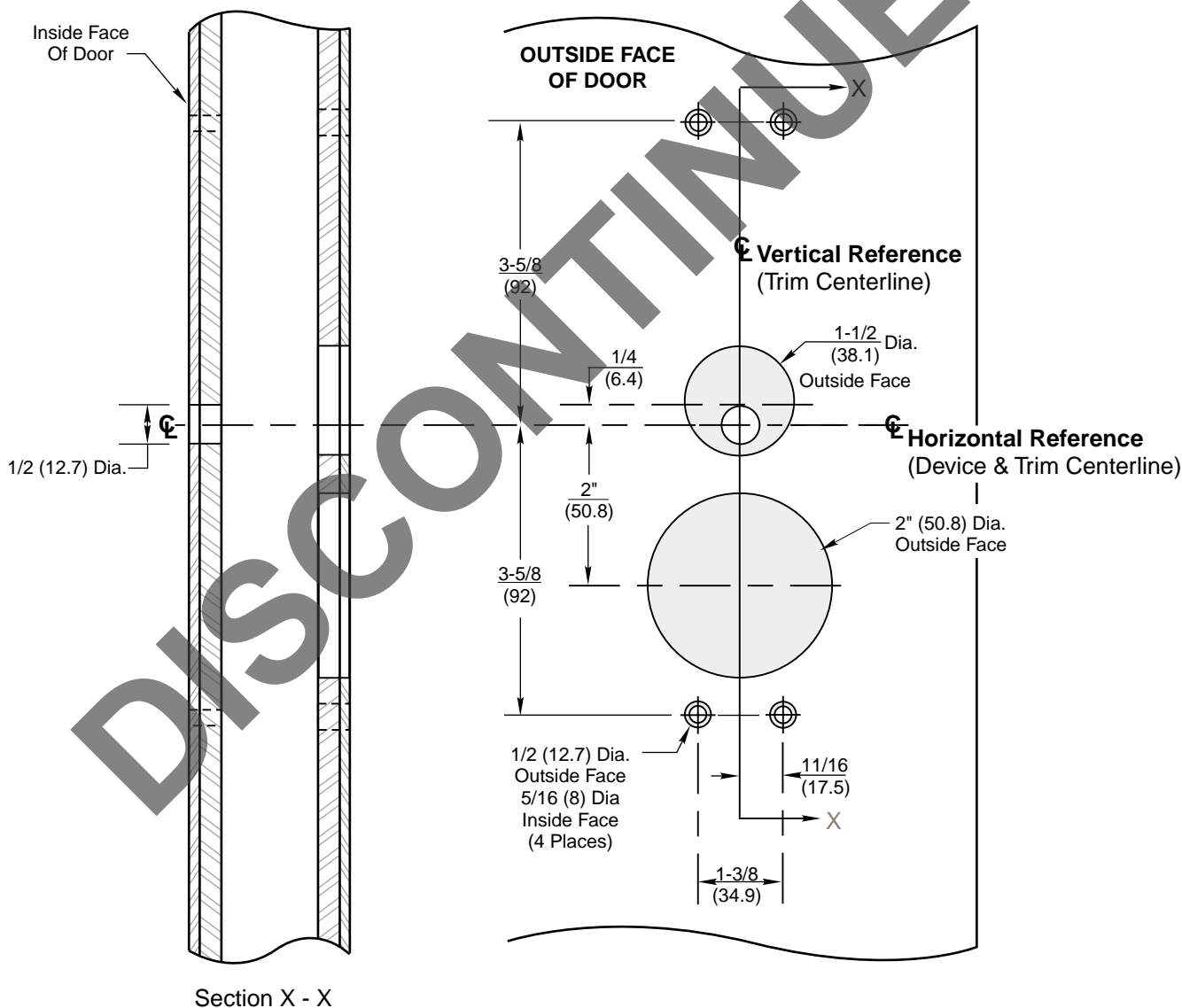
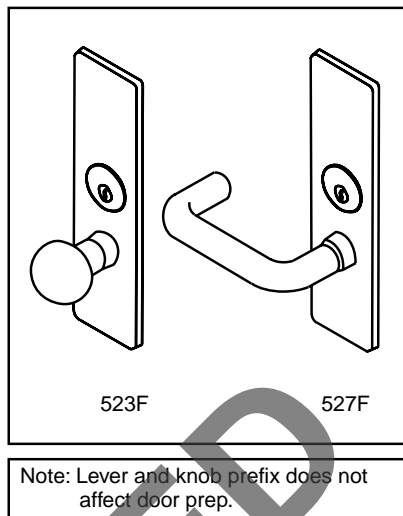


Notes:

1. This template is an addition to the device template. Locate centerlines using horizontal and vertical references on device template.
2. Do not scale drawing.
3. Dimensions are in inches (mm).
4. LHR door shown. Preparation is typical for both door hands.
5. For door reinforcement see template 7400-0000.
6. Prepare mounting holes when installing trim.
7. Provide adequate internal support to prevent door deformation after trim is bolted to the device.
8. Dimensions given about a centerline are symmetrical.



DISCONTINUED

523F and 527F Trim
 With 1500(F), 2100(F) or 7100 (F) Series
 Rim and Vertical Rod Exit Devices
Metal Door Preparation

Yale	
Yale Commercial Locks and Hardware	
www.yalecommercial.com	
TEMPLATE NUMBER	DATE
7400-0523	7-06