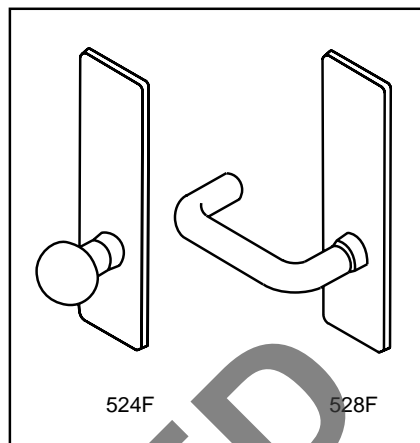
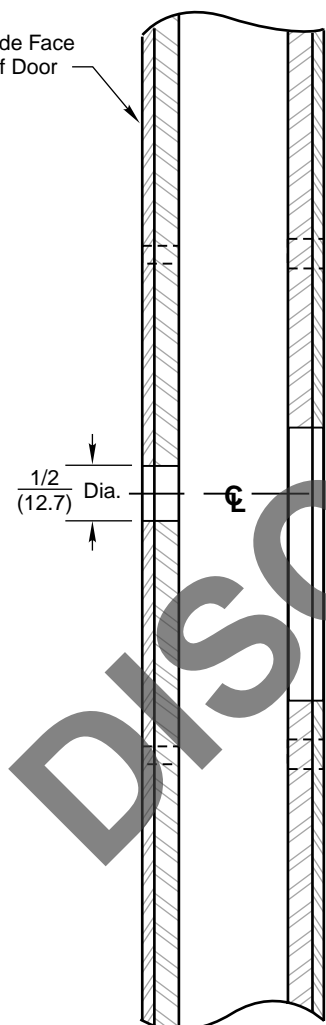
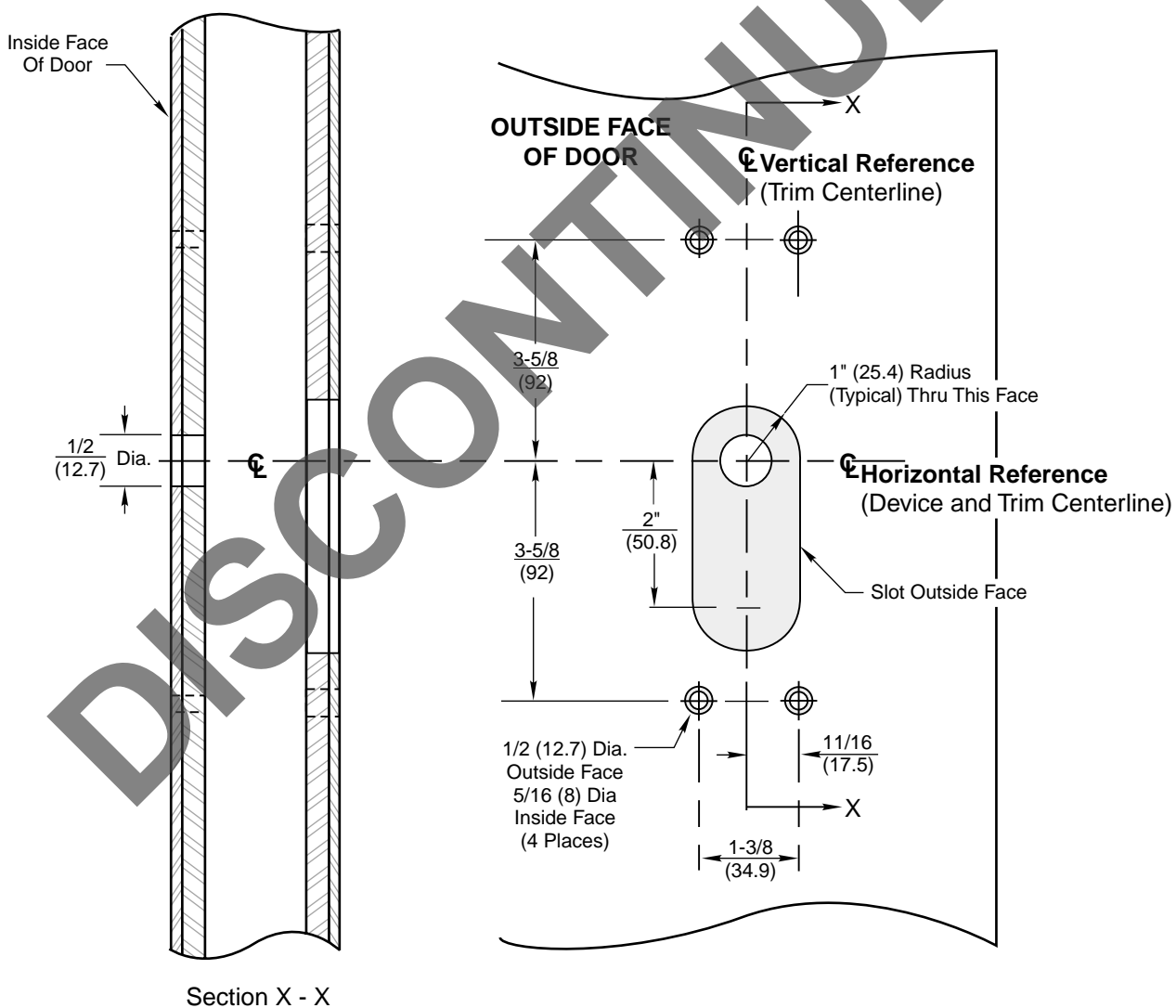


**Notes:**

1. This template is an addition to the device template. Locate centerlines using horizontal and vertical references on device template.
2. Do not scale drawing.
3. Dimensions are in inches (mm).
4. LHR door shown. Preparation is typical for both door hands.
5. For door reinforcement see template 7400-0000.
6. Prepare mounting holes when installing trim.
7. Provide adequate internal support to prevent door deformation after trim is bolted to the device.
8. Dimensions given about a centerline are symmetrical.
9. For dummy trim, centerhole of inside door face may be omitted.



Note: Lever and knob prefix does not affect door prep.



Section X - X

**524F and 528F Trim**  
 With 1500(F), 2100(F) or 7100(F) Series  
 Rim and Vertical Rod Exit Devices  
**Metal Door Preparation**



**Yale Commercial Locks and Hardware**

www.yalecommercial.com

TEMPLATE NUMBER

**7400-0524**

DATE

**3-06**