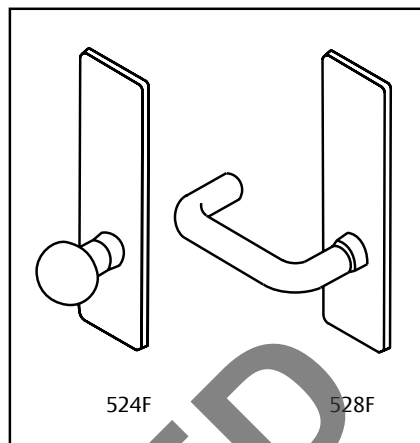
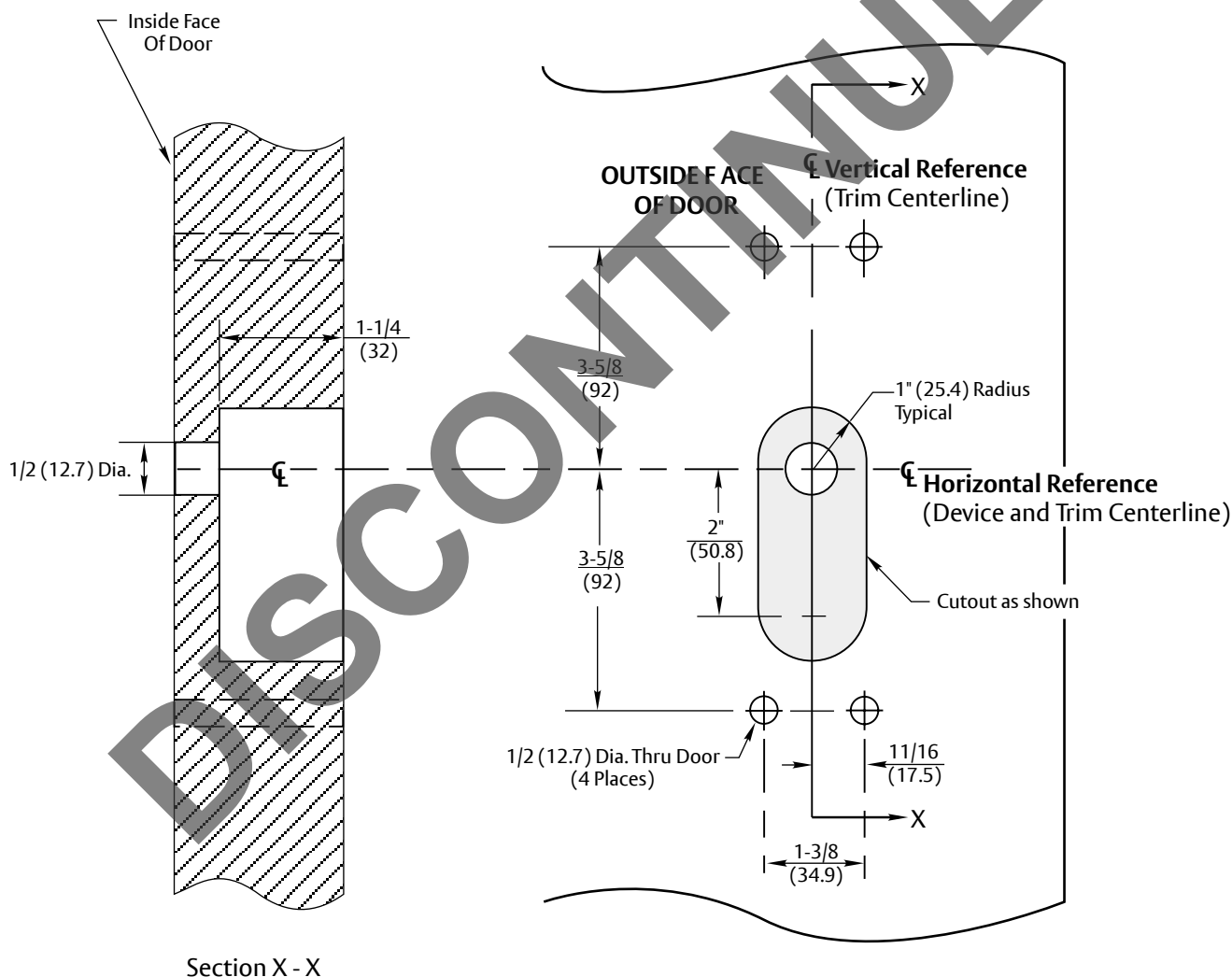


NOTES:

1. This template is an addition to the device template. Locate centerlines using horizontal and vertical references on device template.
2. Do not scale drawing.
3. Dimensions are in inches (mm).
4. LHR door shown. Preparation is typical for both door hands.
5. Provide adequate structural support to maintain door integrity during operation.
6. Prepare mounting holes when installing trim.
7. Dimensions given about a centerline are symmetrical.
8. For dummy trim, center hole from inside face may be omitted.



Note: Lever and knob prefix does not affect door prep.



RESPONSIBILITY

DOOR AND FRAME MANUFACTURERS ARE RESPONSIBLE FOR PROVIDING ADEQUATE CONSTRUCTION OR REINFORCEMENTS FOR PROPER INSTALLATION OF HARDWARE SHOWN. ALL ARCHITECTURAL BUILDERS HARDWARE MUST BE INSTALLED ON PROPERLY REINFORCED DOORS AND FRAMES, REGARDLESS OF TYPE, MATERIAL, OR METHOD OF CONSTRUCTION.

524F and 528F Trim
 With 1500(F), 2100(F) or 7100(F) Series
 Rim and Vertical Rod Exit Devices
 Wood or Composite Door Preparation
Contact us for support at 1-855-557-5078.

ASSA ABLOY

SUPERSEDES	3/06	DO NOT SCALE DRAWING
TEMPLATE NUMBER	7400-1524	DATE 12-23