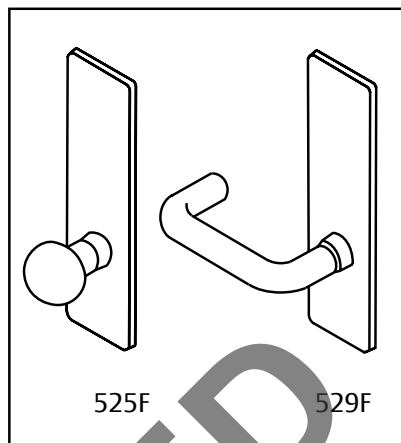


**NOTES:**

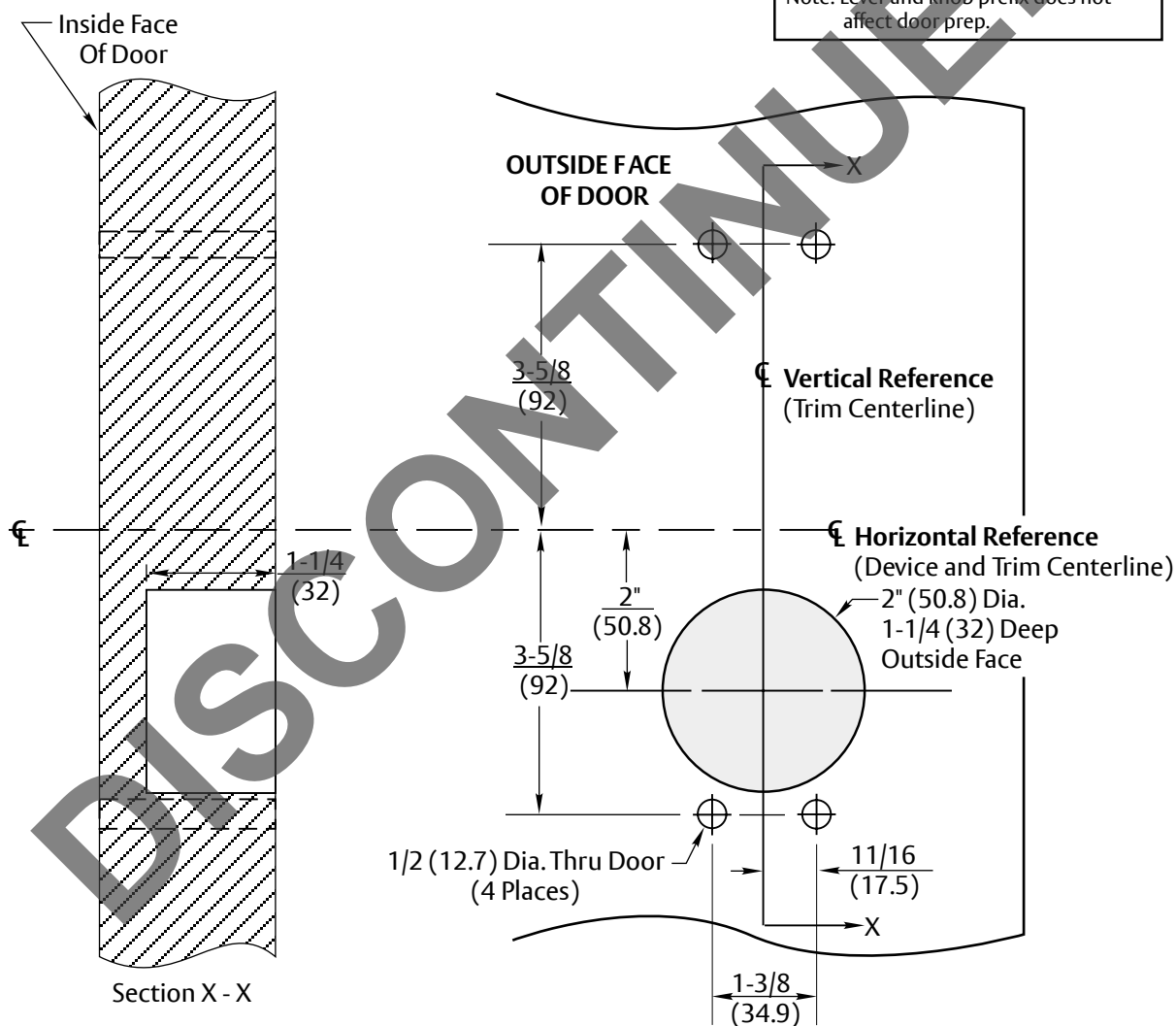
1. This template is an addition to the device template. Locate centerlines using horizontal and vertical references on device template.
2. Do not scale drawing.
3. Dimensions are in inches (mm).
4. LHR door shown. Preparation is typical for both door hands.
5. Provide adequate internal support to maintain door integrity during operation.
6. Prepare mounting holes when installing trim.



525F

529F

Note: Lever and knob prefix does not affect door prep.



**RESPONSIBILITY**

DOOR AND FRAME MANUFACTURERS ARE RESPONSIBLE FOR PROVIDING ADEQUATE CONSTRUCTION OR REINFORCEMENTS FOR PROPER INSTALLATION OF HARDWARE SHOWN. ALL ARCHITECTURAL BUILDERS HARDWARE MUST BE INSTALLED ON PROPERLY REINFORCED DOORS AND FRAMES, REGARDLESS OF TYPE, MATERIAL, OR METHOD OF CONSTRUCTION.

**525F and 529F Trim**  
 With 1500(F), 2100(F) or 7100(F) Series  
 Rim and Vertical Rod Exit Devices  
 Wood or Composite Door Preparation  
**Contact us for support at 1-855-557-5078.**

**ASSA ABLOY**

SUPERSEDES	3/06	DO NOT SCALE DRAWING
TEMPLATE NUMBER	7400-1525	DATE 12-23