

5300 SERIES Knob Locks		
Backset	Latch No.	Link No.
$\frac{2-3/4}{(70)}$	380AN, 380BN	-
$\frac{3-3/4}{(95)}$	3380AN, 3380BN	-
$\frac{5}{(127)}$	380AN, 380BN	381AN
$\frac{6}{(152)}$	3380AN, 3380BN	381AN

DO NOT SCALE

Universal or Square Edge Door (See Note 5)

Beveled Edge Door

Taper 1/8" per 2"

1-3/8 (35) to 1-3/4 (44) Std. Door Thickness, 1-3/4 (44) to 2-1/4 (57) Spec.

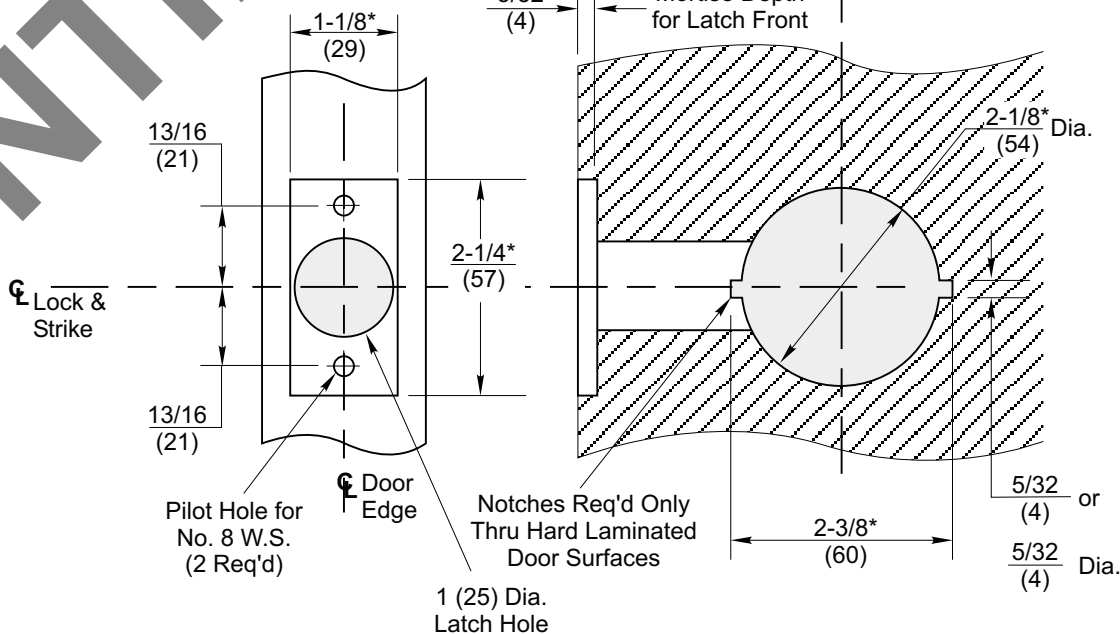
Backset (See Table)

Mortise Depth for Latch Front

$\frac{5}{32}$ (4)

Notes:

1. When ANSI A115.2 (Fig. 1) Strike is specified, refer to Yale No. 497 Strike, Template No. 7102-0003.
2. When ANSI A115.2 (Fig. 2) Strike is specified, refer to Yale No. 371 Strike, Template 7102-0005.
3. Dimensions marked with * have tolerances of +1/32, -0.
4. All dimensions given in inches (mm).
5. For universal or square edge doors use latchbolts with flat front (i.e. F380AN, F3380AN, etc.)



5300 Series Knob Cylindrical Locks - 1-1/8" Wide Front Wood Door Preparation (ANSI A115.2) (FIG. 1) 2-3/4" and Optional Backsets

Yale
 Yale Commercial Locks and Hardware
 www.yalecommercial.com
 TEMPLATE NUMBER **7150-0063** DATE **7-97**