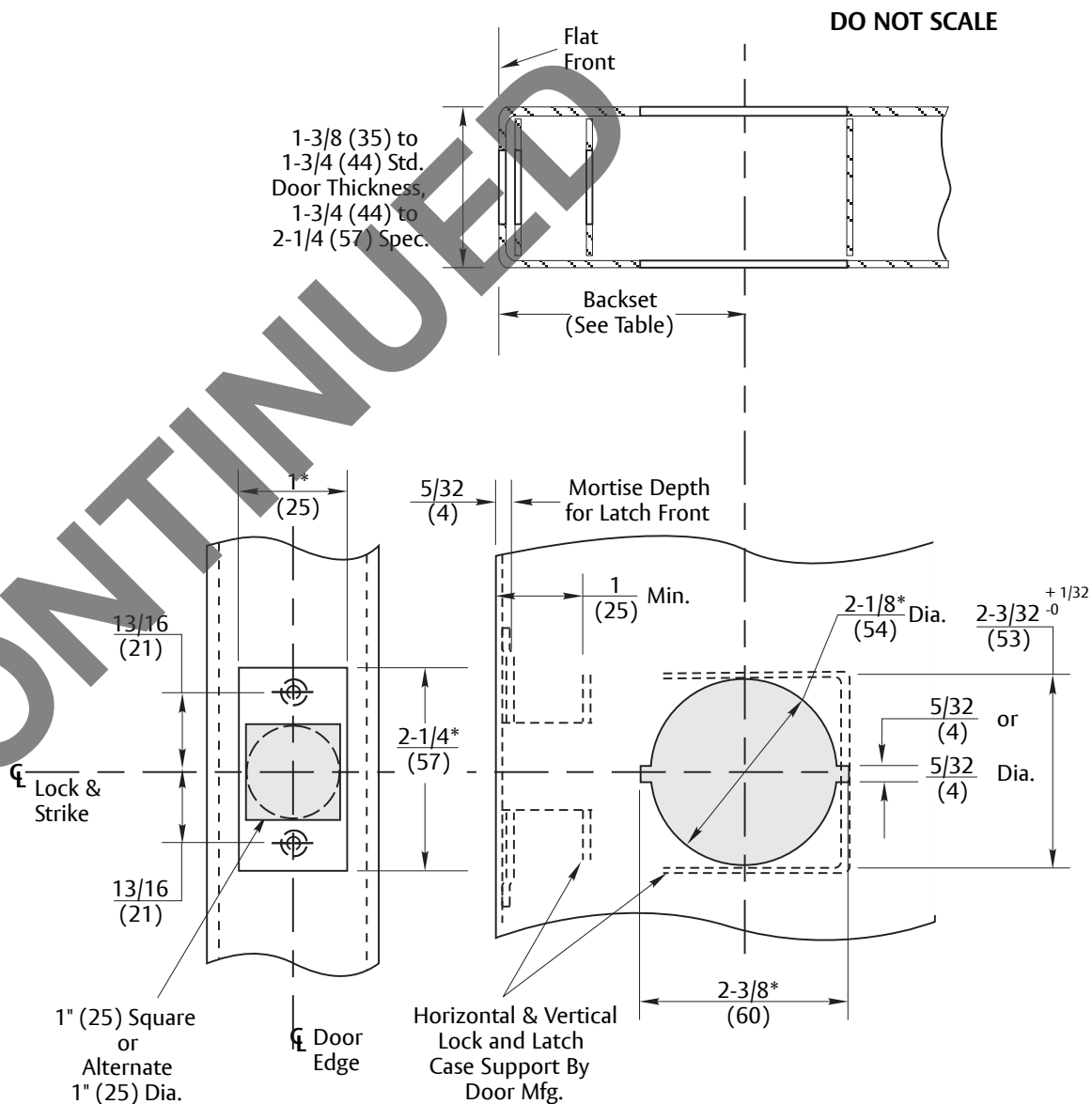


5300 SERIES Knob Locks		
Backset	Latch No.	Link No.
$\frac{2-3/8}{(60)}$	380N, 378N	-
$\frac{2-3/4}{(70)}$	380CN, 380DN	-
$\frac{3-3/4}{(95)}$	3380CN 3380DN	-
$\frac{5}{(127)}$	380N, 378N	381N
$\frac{7}{(178)}$	380N, 378N	382N
$\frac{10}{(254)}$	380N, 378N	383N
$\frac{18}{(457)}$	380N, 378N	384N

**Notes:**

1. When 4-7/8" (123.8) Strike is specified, refer to No. 497 Strike, Template No. 7102-0003.
2. When T- Strike is specified, refer to No. 371 Strike, Template 7102-0005.
3. Dimensions marked with \* have tolerances of +.015, -.000
4. All dimensions given in inches (mm).



Experience a safer and more open world

Copyright © 2008, 2023, ASSA ABLOY Access and Egress Hardware Group, Inc. All rights reserved. Reproduction in whole or in part without the express written permission of ASSA ABLOY Access and Egress Hardware Group, Inc. is prohibited.

5300 Series Knob Cylindrical Locks - 1" Wide Flat Front  
H.M. Door Preparation (See ANSI/BHMA A156.115)  
2-3/8" and Optional Backsets

Template Number:  
7150-0060  
Sheet: 1 of 1  
Date: 12/23

**ASSA ABLOY**

1-855-557-5078  
www.assaabloy.com