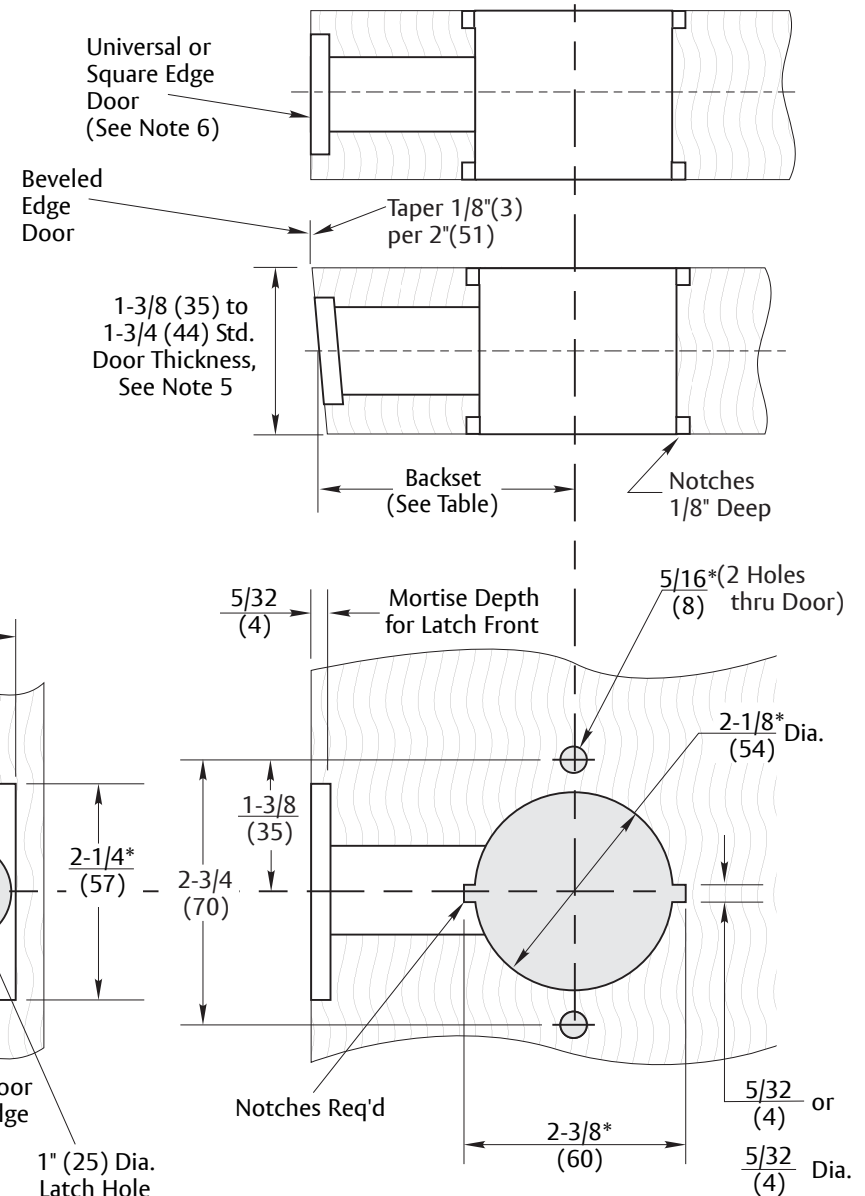


5300LN SERIES Lever Locks		
Backset	Latch No.	Link No.
$\frac{2-3}{4}$ (70)	380AN, 380BN	-
$\frac{3-3}{4}$ (95)	3380AN, 3380BN	-
$\frac{5}{}$ (127)	380AN, 380BN	381AN
$\frac{6}{}$ (152)	3380AN, 3380BN	381AN

DO NOT SCALE



Notes:

1. When 4-7/8" (123.8) Strike is specified, refer to No. 497 Strike, Template No. 7102-0003.
2. When T-Strike is specified, refer to No. 371 Strike, Template 7102-0005.
3. Dimensions marked with * have tolerances of +1/32, -0.
4. All dimensions given in inches (mm).
5. Std. Locks adjustable for 1-3/8"(35) to 1-3/4"(44) door thicknesses. Special order locks adjustable for 2"(51) to 2-1/4"(57) door thickness.
6. For universal or square edge doors use latchbolts with flat front (i.e. F380AN, F3380AN, etc.)

Experience a safer
and more open world

5300LN Series Lever Handle Cylindrical Locks -
1-1/8" Wide Front
Wood Door Preparation (See ANSI/BHMA A156.115)
2-3/4" and Optional Backsets

Template Number:
7150-0067
Sheet: 1 of 1
Date: 12/23

ASSA ABLOY

1-855-557-5078
www.assaabloy.com