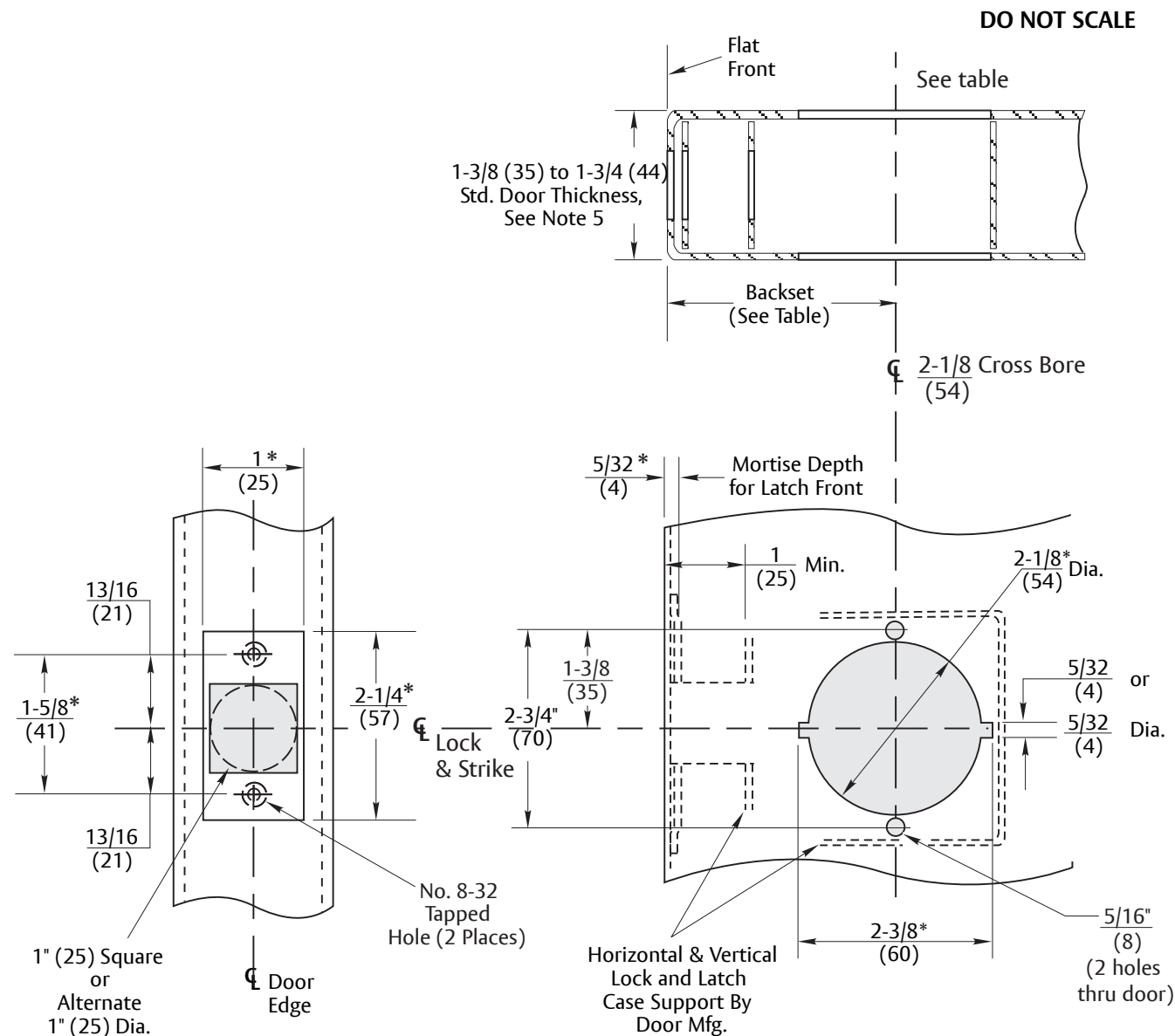


5300LN SERIES Lever Locks		
Backset	Latch No.	Link No.
$\frac{2-3}{8}$ (60)	380N, 378N	-
$\frac{2-3}{4}$ (70)	380CN, 380DN	-
$\frac{3-3}{4}$ (95)	3380CN 3380DN	-
$\frac{5}{}$ (127)	380N, 378N	381N

Notes:

1. When 4-7/8" (123.8) Strike is specified, refer to No. 497 Strike, Template No. 7102-0003.
2. When T- Strike is specified, refer to No. 371 Strike, Template 7102-0005.
3. Dimensions marked with * have tolerances of +.015, -.000
4. All dimensions given in inches (mm).
5. Standard locks adjustable for 1-3/8"(35) to 1-3/4"(44) door thickness. Special order locks adjustable for 2"(51) to 2-1/4"(57) Door thicknesses.



Experience a safer and more open world

Copyright © 2008, 2023, ASSA ABLOY Access and Egress Hardware Group, Inc. All rights reserved. Reproduction in whole or in part without the express written permission of ASSA ABLOY Access and Egress Hardware Group, Inc. is prohibited.

5300LN Series Lever Handle Cylindrical Locks -
1" Wide Flat Front
H.M. Door Preparation (See ANSI/BHMA A156.115)
2-3/8" and Optional Backsets

Template Number:
7150-0064
Sheet: 1 of 1
Date: 12/23

ASSA ABLOY

1-855-557-5078
www.assaabloy.com