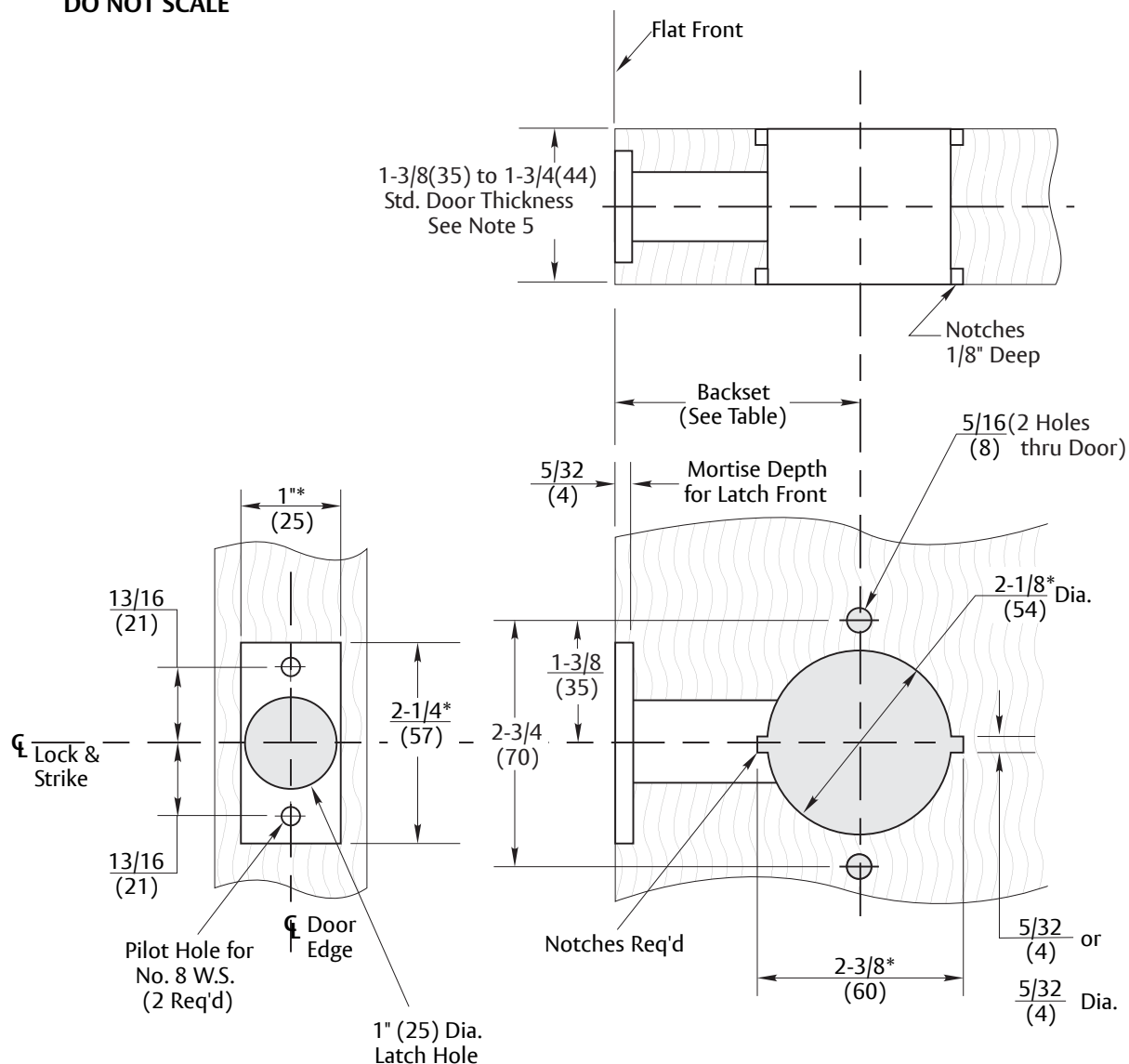


| 5300LN SERIES<br>Lever Locks |                   |          |
|------------------------------|-------------------|----------|
| Backset                      | Latch No.         | Link No. |
| $\frac{2-3}{8}$<br>(60)      | 380N,<br>378N     | -        |
| $\frac{2-3}{4}$<br>(70)      | 380CN,<br>380DN   | -        |
| $\frac{3-3}{4}$<br>(95)      | 3380CN,<br>3380DN | -        |
| $\frac{5}{5}$<br>(127)       | 380N,<br>378N     | 381N     |

DO NOT SCALE

**Notes:**

1. When 4-7/8" (123.8) Strike is specified, refer to No. 497 Strike, Template No. 7102-0003.
2. When T- Strike is specified, refer to No. 371 Strike, Template 7102-0005.
3. Dimensions marked with \* have tolerances of +1/32, -0.
4. All dimensions given in inches (mm).
5. Std. Locks adjustable for 1-3/8"(35) to 1-3/4"(44) door thicknesses. Special order locks adjustable for 2"(51) to 2-1/4"(57) door thickness.



Experience a safer  
and more open world

Copyright © 2008, 2023, ASSA ABLOY Access and Egress Hardware Group, Inc. All rights reserved. Reproduction in whole or in part without the express written permission of ASSA ABLOY Access and Egress Hardware Group, Inc. is prohibited.

5300LN Series Lever Handle Cylindrical Locks -  
1" Wide Front  
Wood Door Preparation (See ANSI/BHMA A156.115)  
2-3/8" and Optional Backsets

Template Number:  
7150-0065  
Sheet: 1 of 1  
Date: 12/23

**ASSA ABLOY**

1-855-557-5078  
www.assaabloy.com