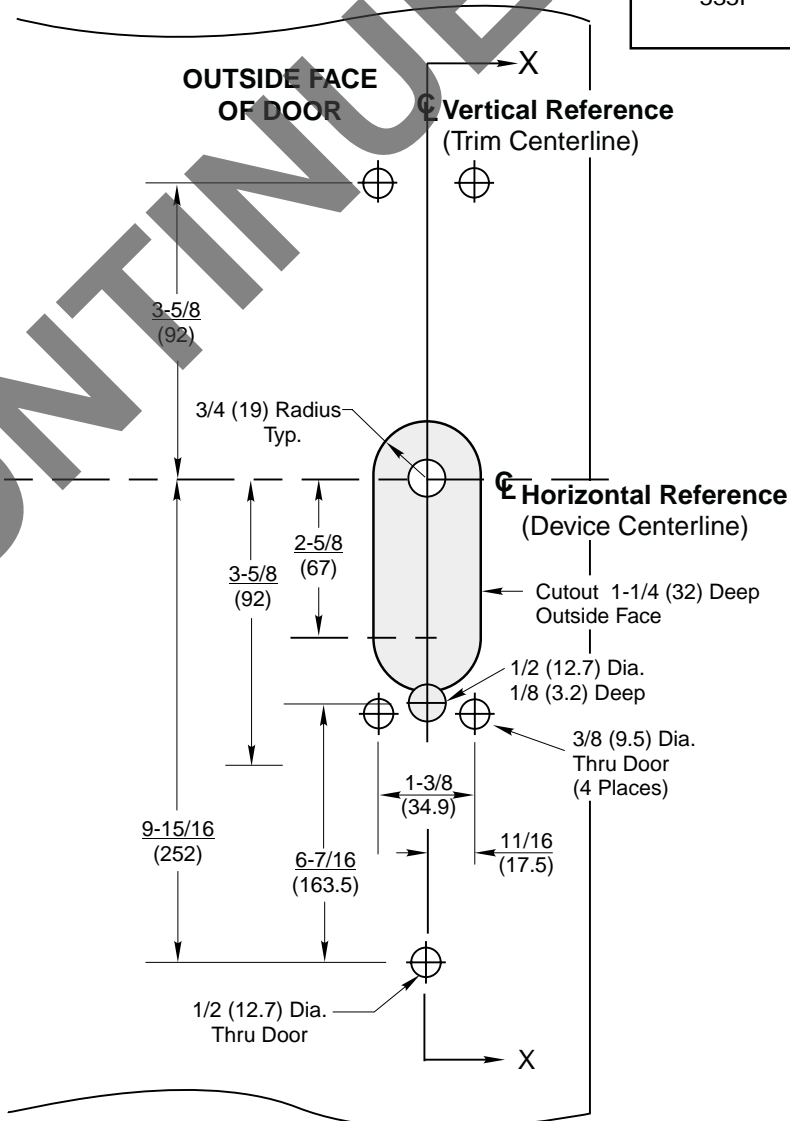
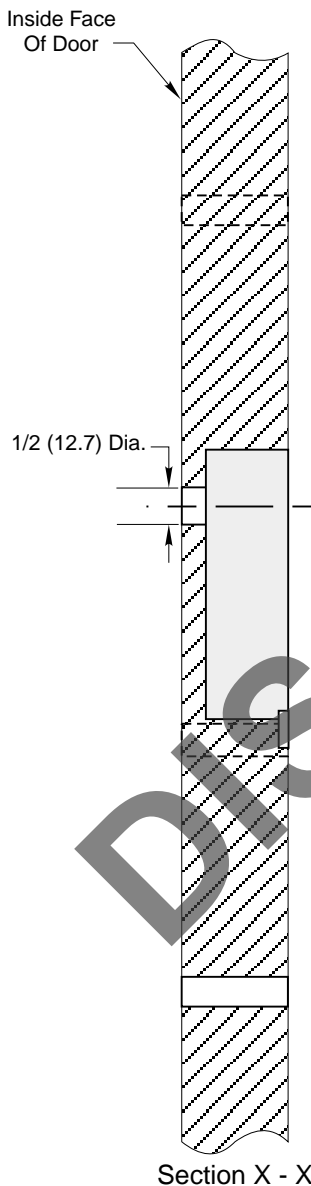
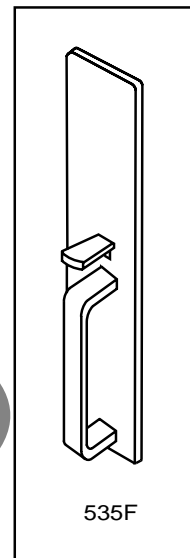


**Notes:**

1. This template is an addition to the device template. Locate centerlines using horizontal and vertical references on device template.
2. Do not scale drawing.
3. Dimensions are in inches (mm).
4. LHR door shown. Preparation is typical for both door hands.
5. Provide adequate structural support to maintain door integrity during operation.
6. Prepare mounting holes when installing trim.
7. Dimensions given about a centerline are symmetrical.
8. Unspecified radii 1/8 (3.20) maximum.



**535F Trim Application**  
 With 1500(F), 2100(F) or 7100(F) Series  
 Rim and Vertical Rod Exit Devices  
**Wood or Composite Door Preparation**

**Yale**  
 Yale Commercial Locks and Hardware  
 www.yalecommercial.com  
 TEMPLATE NUMBER **7400-1535-1** DATE **01-02**