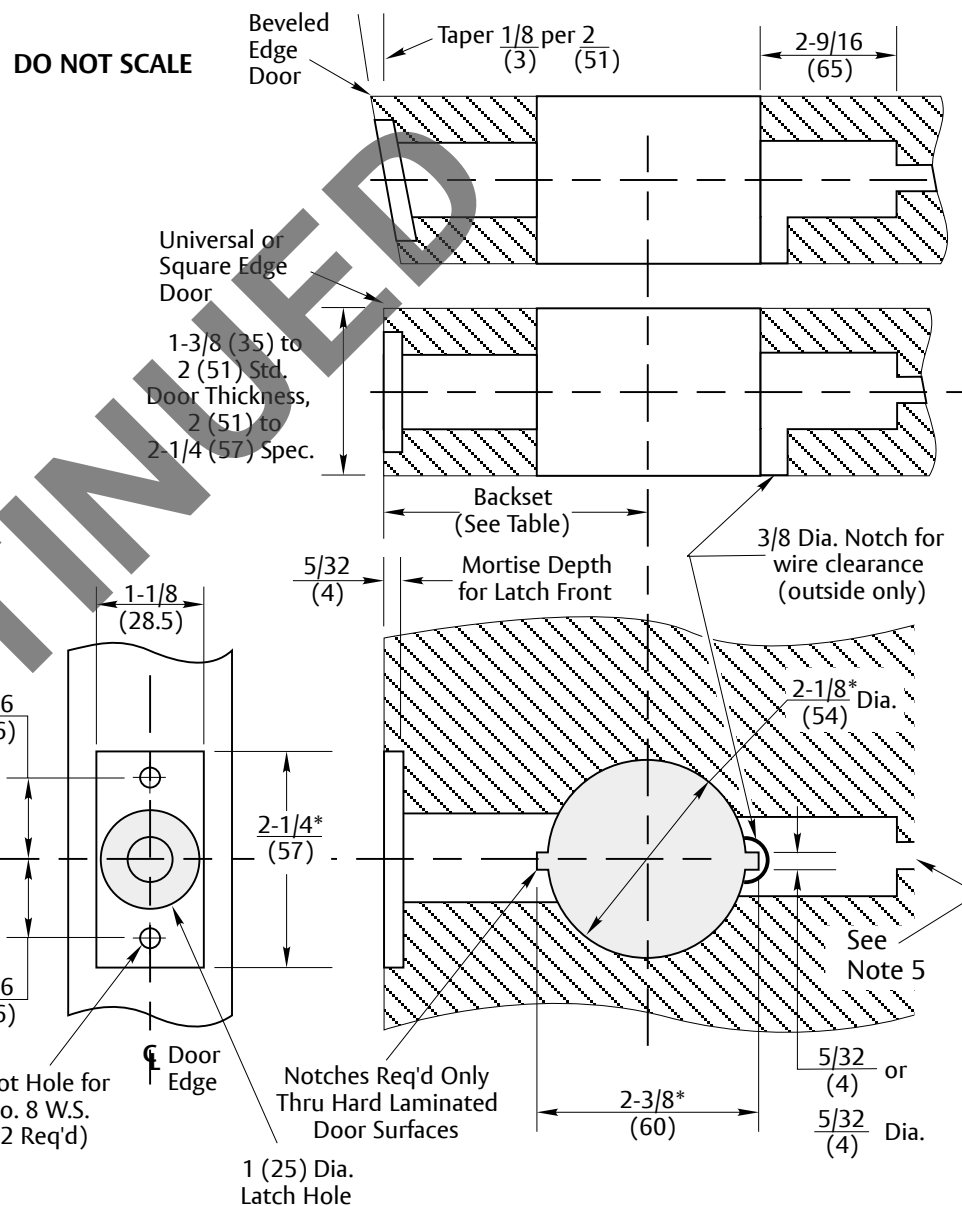


Backset	1/2" Throw		5/8" Throw		3/4" Throw	
	Latch No.	Link No.	Latch No.	Link No.	Latch No.	Link No.
2-3/4 (70)	694	-	480	-	480B	-
3-3/4 (95)	3694	-	3480	-	3480B	-



**Notes:**

1. When ANSI A115.2 (Fig. 1) Strike is specified, refer to No. 497 Strike, Template No. 7102-0003.
2. When ANSI A115.2 (Fig. 2) Strike is specified, refer to No. 495 Strike, Template 7102-0005.
3. Dimensions marked with \* have tolerances of +1/32, -0.
4. All dimensions given in inches (mm).
5. 3/8" minimum hole thru wood door to electric hinge, location optional by door manufacturer.

DISCONTINUED

Experience a safer and more open world

Copyright © 2006, 2023, ASSA ABLOY Access and Egress Hardware Group, Inc. All rights reserved. Reproduction in whole or in part without the express written permission of ASSA ABLOY Access and Egress Hardware Group, Inc. is prohibited.

**5480 & 5490 Series Solenoid Controlled Cylindrical Locks (Knob Trim)**  
**Wood Door Preparation**  
**2-3/4" (70mm) and Optional Backsets**

Template Number:  
7150-8005  
Sheet: 1 of 1  
Date: 12/23

**ASSA ABLOY**

1-855-557-5078  
www.assaabloy.com