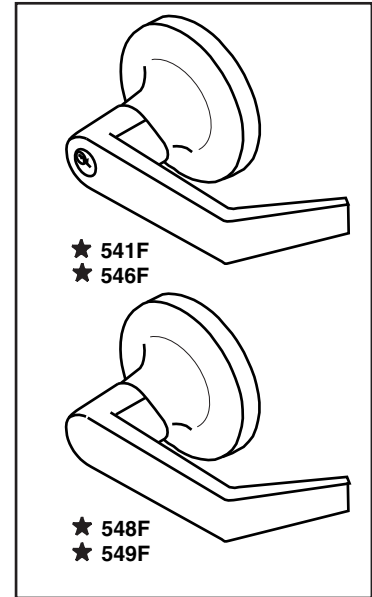
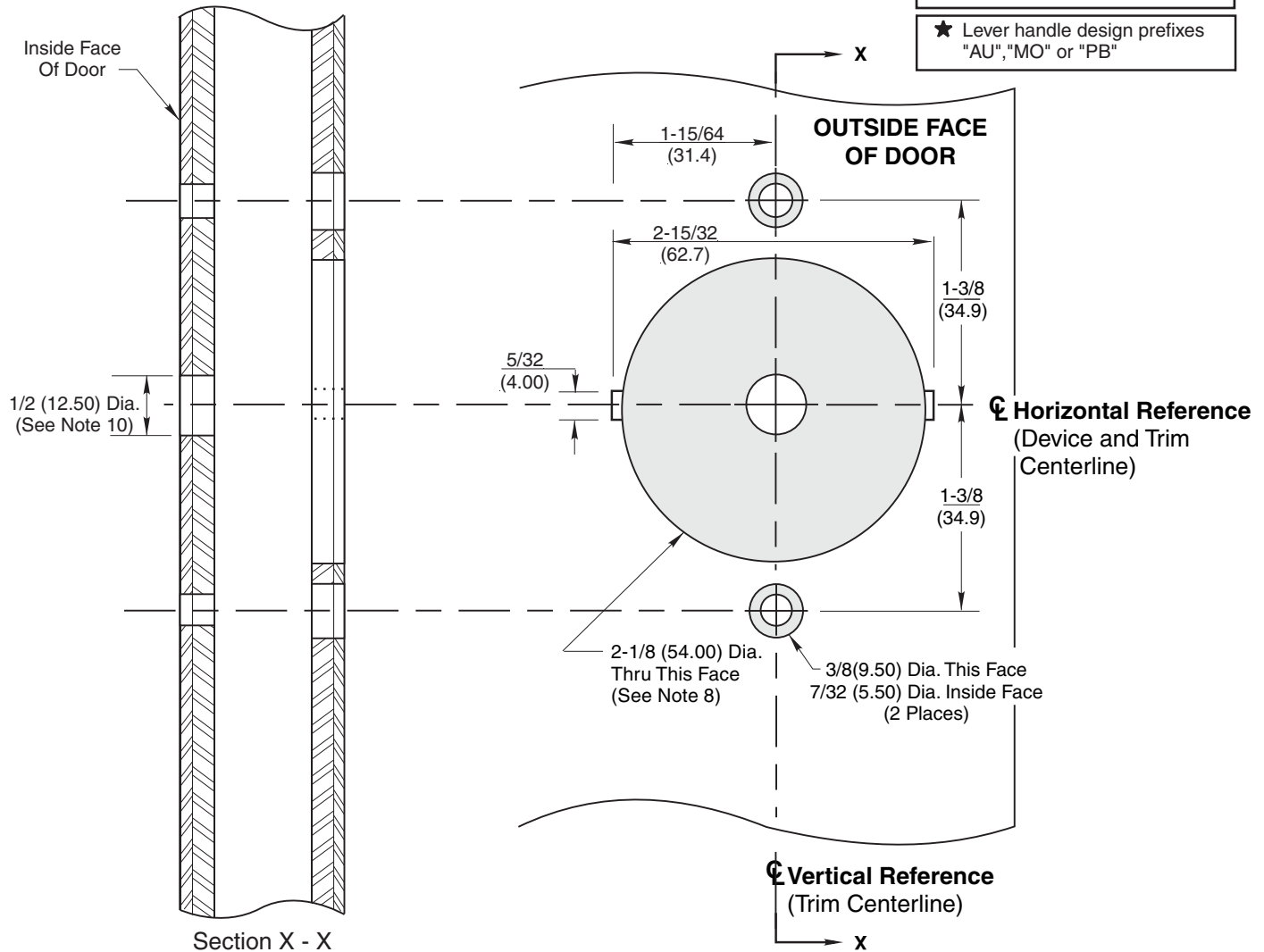


Notes:

1. This template is an addition to the device template. Locate centerlines using horizontal and vertical references on device template.
2. Do not scale drawing.
3. Dimensions are in inches (mm).
4. LHR door shown. Preparation is typical for both door hands.
5. For door reinforcement see template 7400-0000.
6. Prepare mounting holes when installing the trim.
7. Provide adequate internal support to prevent door deformation after trim is bolted to the door.
8. At specifiers option ANSI A115.2 cutout thru door may be substituted. If type 161 stock doors are used a filler plate (by others) is required for the door edge.
9. Dimensions given about a centerline are symmetrical.
10. Omit for 549F.



★ Lever handle design prefixes "AU", "MO" or "PB"



541F, 546F, 548F and 549F Trim
With 2100(F), 6100(F), or 7100(F) Series
Rim and Vertical Rod Exit Devices
Metal Door Preparation



1-800-438-1951
www.yalelocks.com

TEMPLATE NUMBER

7400-0541

DATE

05-15