

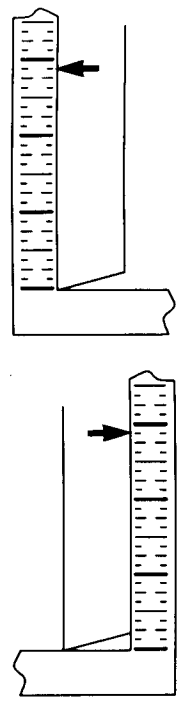
# Installation Instructions

1. Select template holes required. Cross out holes not needed for mounting trim.

Trim	Holes
551(F)	X & E
552(F), 556(F)	X, D, & E
554(F), 558(F)	X & D
561(F)	X, Y, & E
562(F)	X, Y, Z, & E

2. Assemble trim. See other side for components and instructions. **NOTE:** Device - Trim match in Function Chart. (over)

3. After marking door inside face for device location (Device Instructions), carry "Vertical Reference Centerline" from inside door face. Follow steps 3a. and 3b. below.



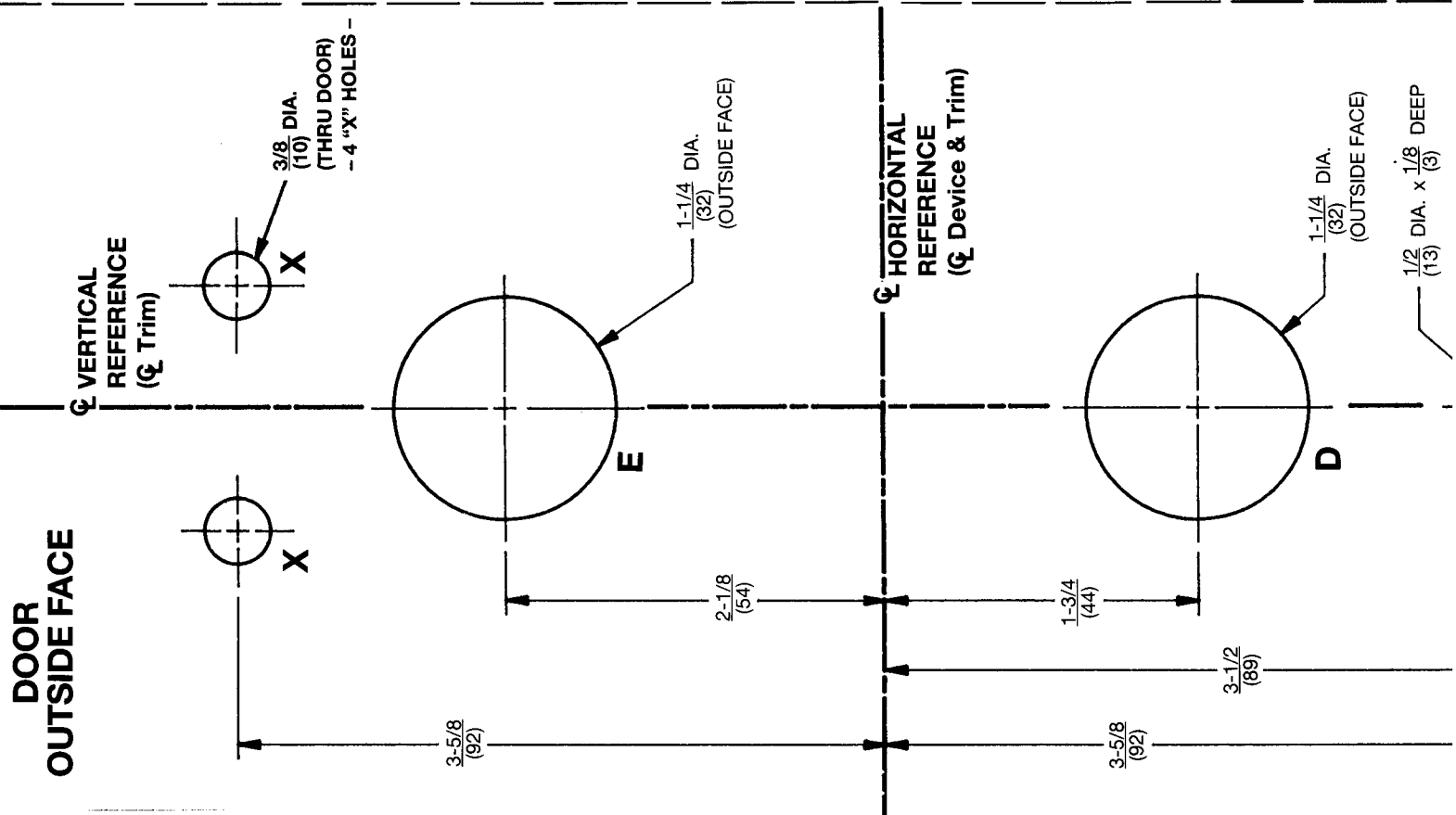
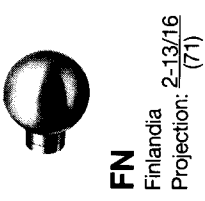
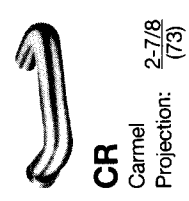
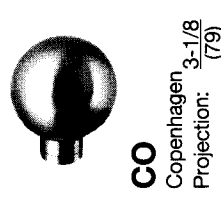
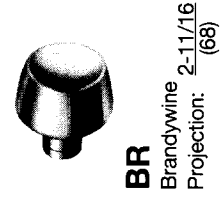
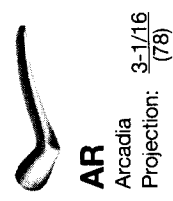
4. Carry "Horizontal Reference Centerline" from inside to outside door face.

5. Align trim template and tape to door outside face. **CAUTION:** Office copiers and facsimile machines may change the size of a drawing and make the template inaccurate to use as a door marker. If this is not the original template packed with the trim, use only the dimensions written on the template to locate the holes on the door (do not use the template as a door marker).

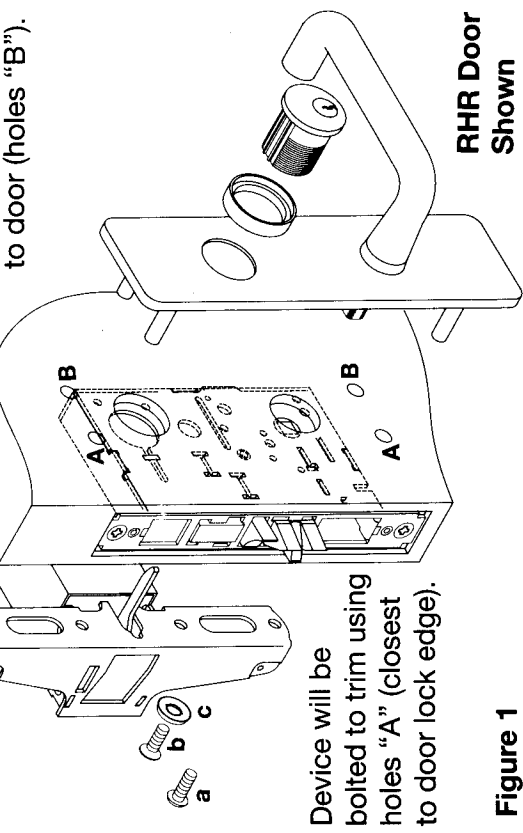
6. Spot holes and prepare door for trim.

7. Mount trim to door (Fig. 1). Fasten finger tight only with 2 or 3 screws (b) and washers (c), seated on door. Thread cylinder into lock till seated in cylinder ring recess and keyway is positioned as shown. Lock cylinder in place (cylinder set screw accessible thru lock front).

8. Continue as shown in device instructions.



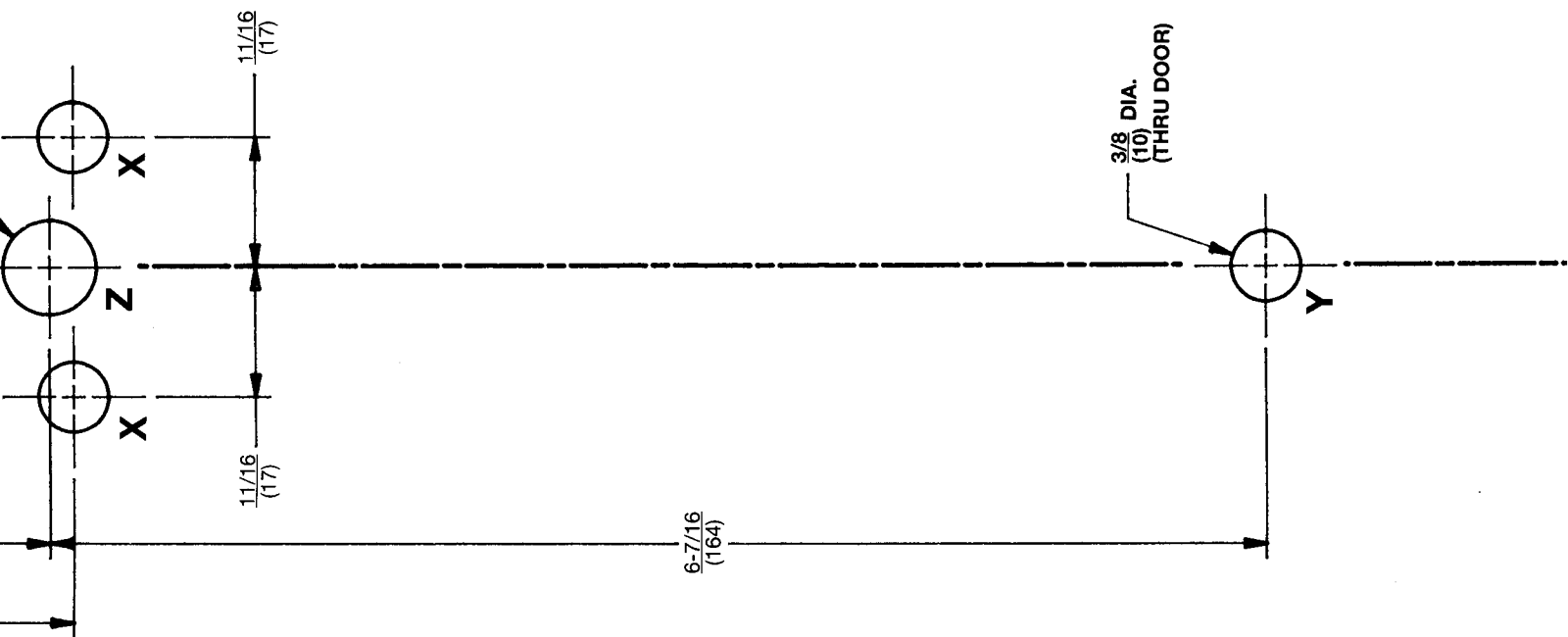
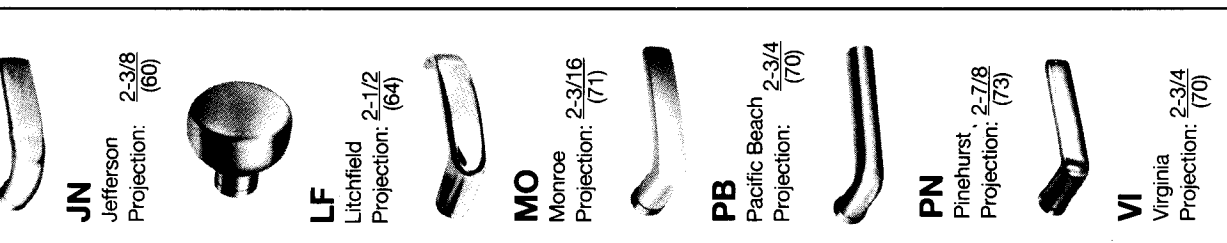
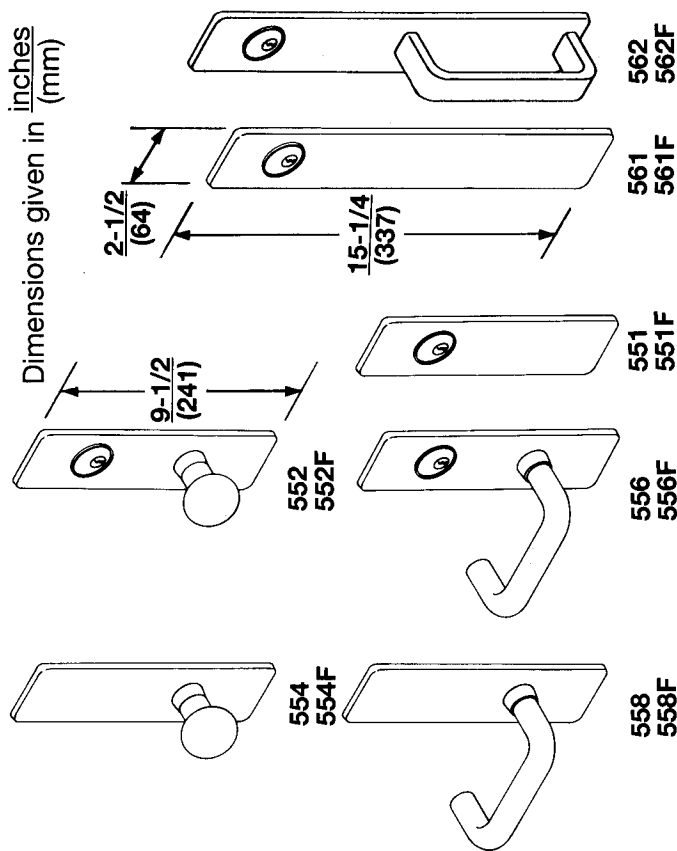
to door (holes "B").



Device will be bolted to trim using holes "A" (closest to door lock edge).

**Figure 1**  
RHR Door Shown

Dimensions given in inches (mm)

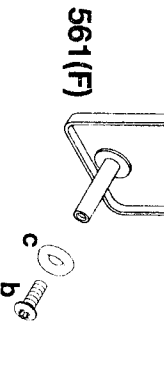
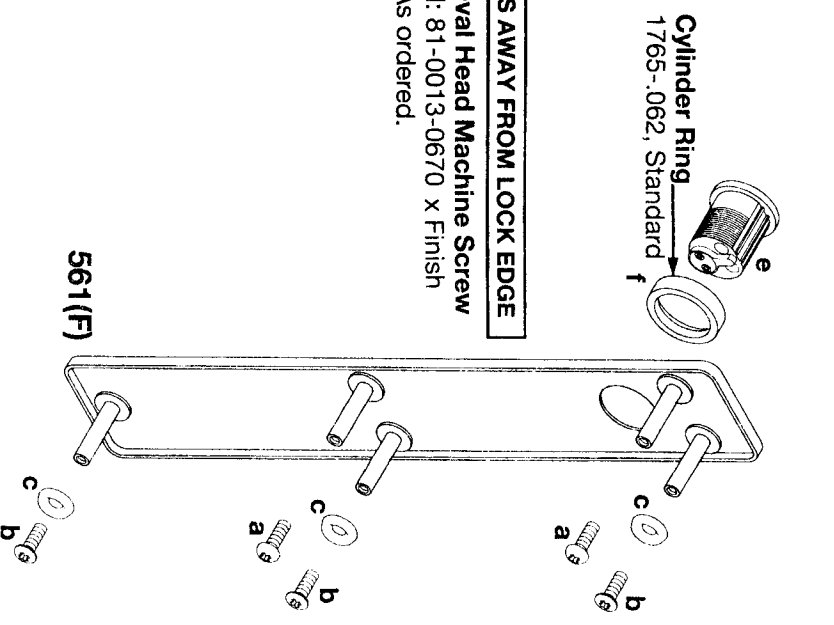
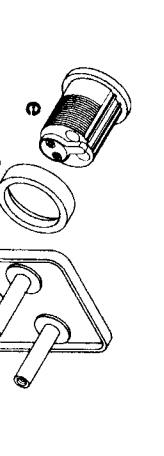
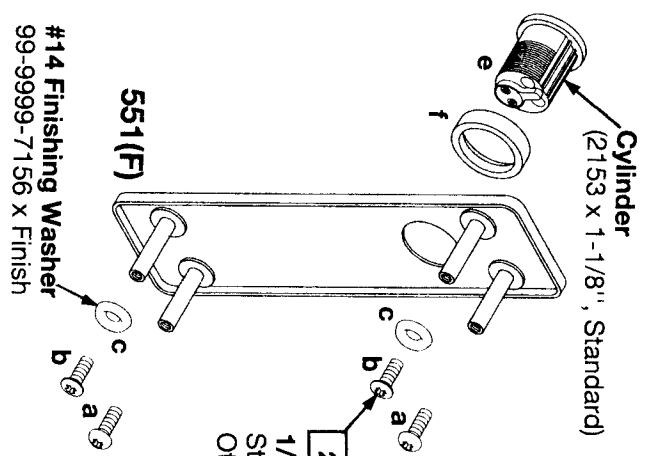


**Yale® 551(F), 552(F), 554(F), 556(F), 558(F), 561(F) & 562(F) Series Exit Device Trim Installation Template**

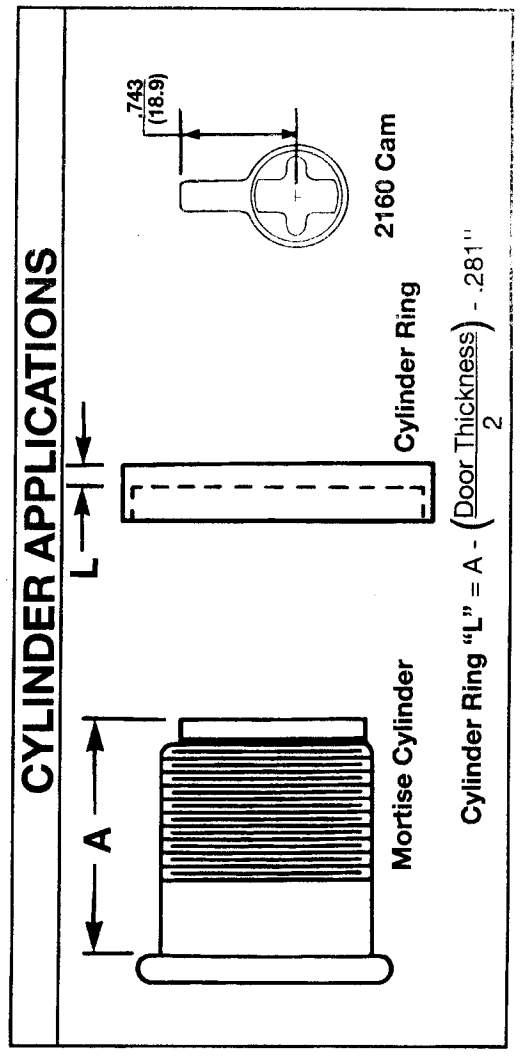
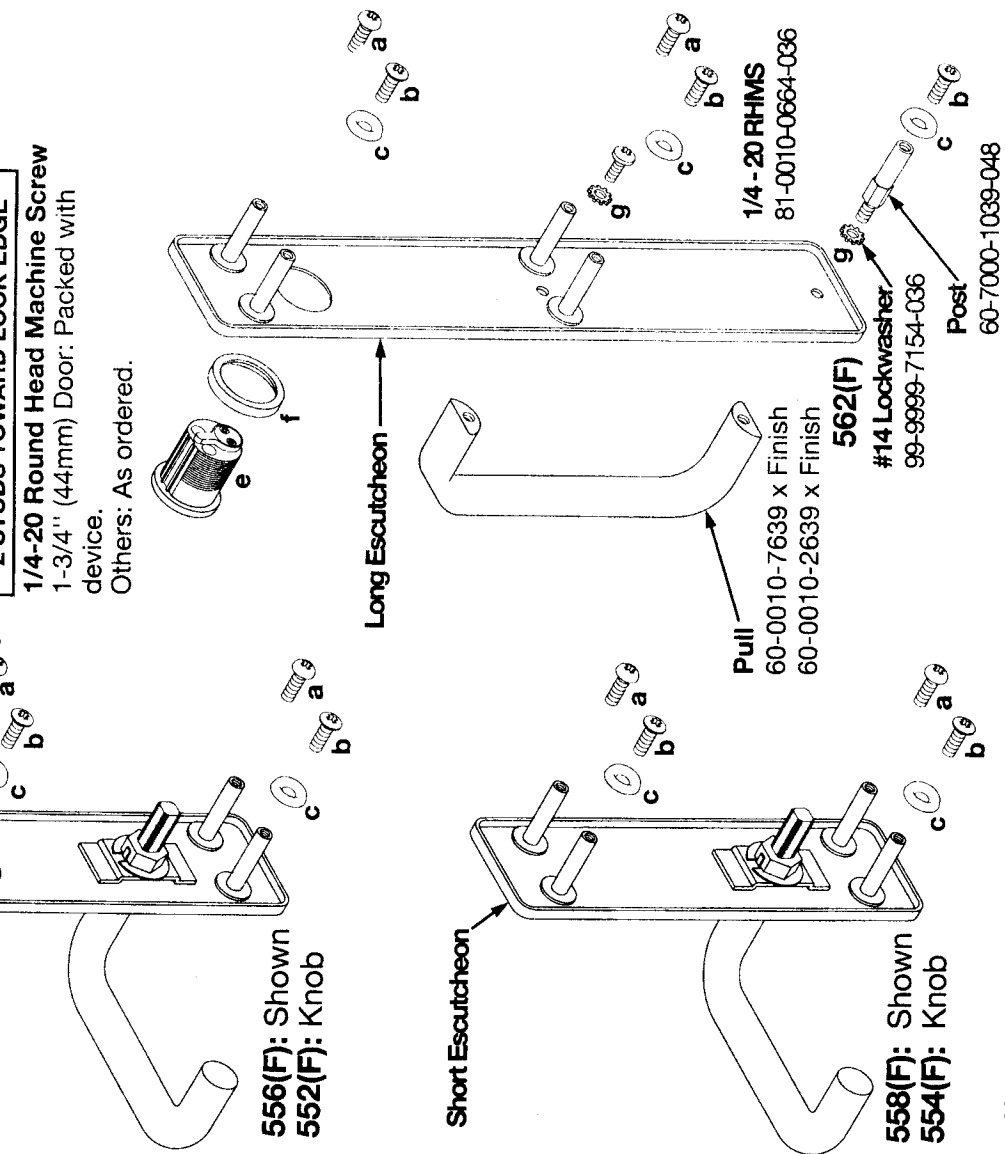
# How Trim Is Used

The device mortise lock determines how the outside trim functions. Identify TRIM and DEVICE in the chart below. Verify that the combination permits the desired access function.

DEVICE	TRIM	FUNCTION		MORTISE LOCK
		ANSI	DESCRIPTION	
7130K5(F)	551(F), 552(F), 561(F), 562(F)	F03	Key retracts latchbolt.	35K(F)
	554	F02	Pull to open (dogged device).	
	554(F)	-	Dummy trim (rigid knob).	
	556(F)	F03	Key retracts latchbolt.	
7130L5(F)	558	F02	Pull to open (dogged device).	35L(F)
	558(F)	-	Dummy trim (rigid lever).	
	552(F)	F08	Key locks/unlocks knob.	
7130K8(F)	554(F)	-	Passage (knob always active).	38K(F)
	556(F)	F08	Key locks/unlocks lever.	
7130L8(F)	558(F)	-	Passage (lever always active).	38L(F)
	558(F)	-	Passage (lever always active).	



**1/4-20 Round Head Machine Screw**  
 1-3/4" (44mm) Door: Packed with device.  
 Others: As ordered.



Note: All trims are non-handed.