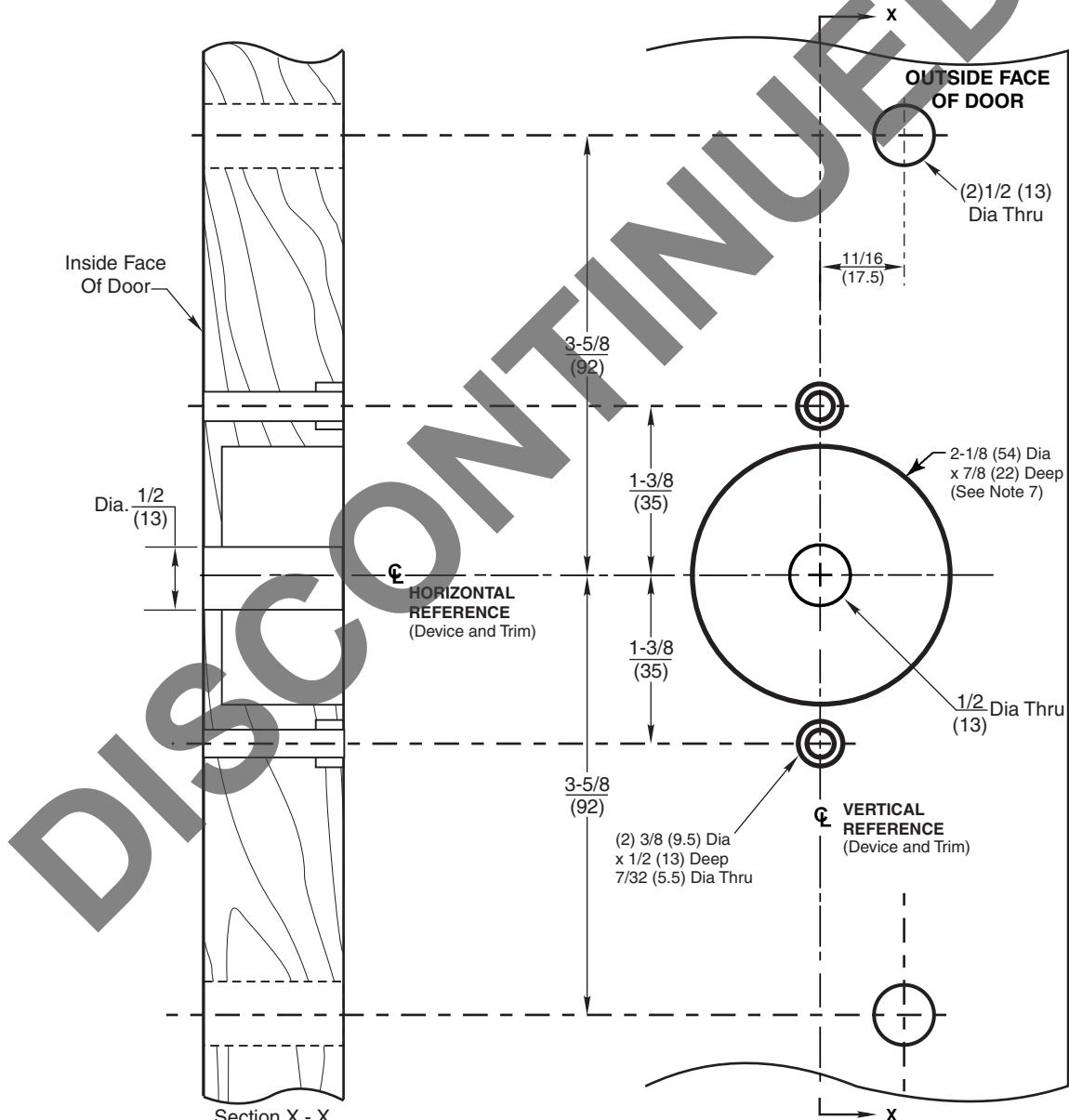
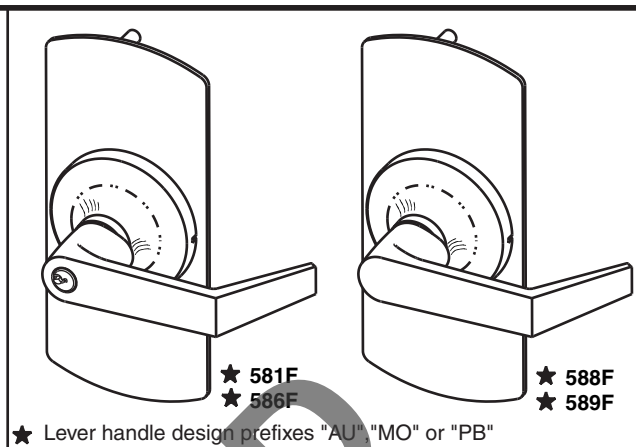


**Notes:**

1. This template is an addition to the device template. Locate centerlines using horizontal and vertical references on device template.
2. Do not scale drawing.
3. Dimensions are in inches (mm).
4. LHR door shown.
5. Prepare mounting holes when installing trim.
6. Provide adequate structural support to maintain door integrity during operation.
7. With rim and surface vertical rod exit devices, stock doors with ANSI/BHMA A156.115 cutout may be substituted (specifier's option). These doors require a filler plate for the door edge cutout (by others).
8. Dimensions given about a centerline are symmetrical.



**581F, 586F, 588F and 589F Trim**  
 With 2100(F), 6100(F), or 7100(F) Series  
 Rim and Vertical Rod Exit Devices  
**Wood Door Preparation**



1-800-438-1951  
 www.yalelocks.com

TEMPLATE NUMBER

**7400-1581**

DATE

**05-15**