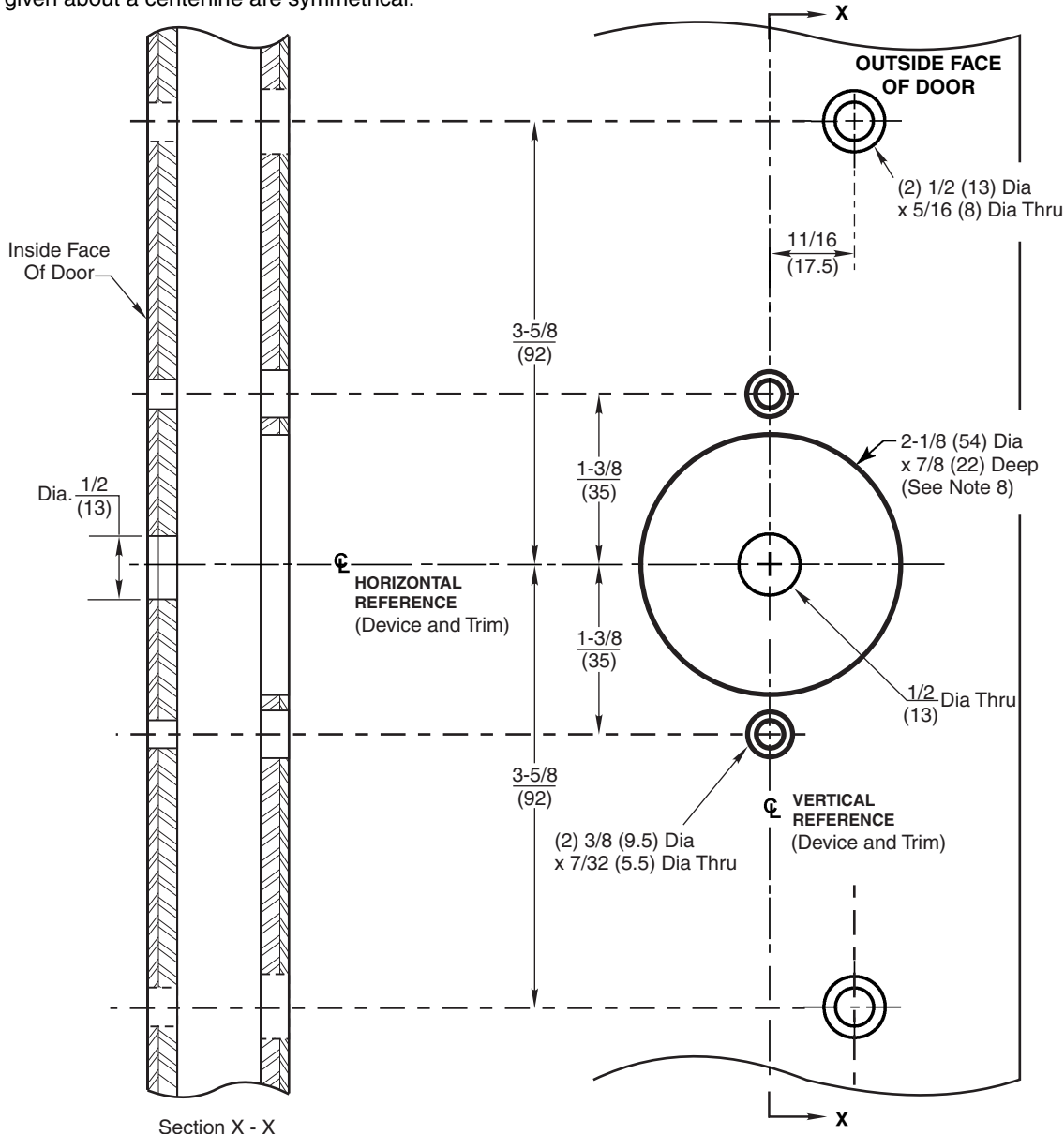
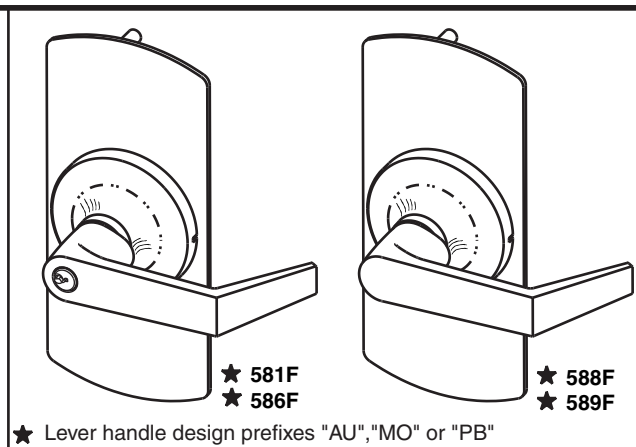


Notes:

1. This template is an addition to the device template. Locate centerlines using horizontal and vertical references on device template.
2. Do not scale drawing.
3. Dimensions are in inches (mm).
4. LHR door shown.
5. For door reinforcement see template 7400-0000.
6. Prepare mounting holes when installing the trim.
7. Provide adequate internal support to prevent door deformation after trim is bolted to the door.
8. At specifier's option ANSI/BHMA A156.115 cutout thru door may be substituted. If type 161 stock doors are used a filler plate (by others) is required for the door edge.
9. Dimensions given about a centerline are symmetrical.



581F, 586F, 588F and 589F Trim
 With 2100(F), 6100(F) or 7100(F) Series
 Rim and Vertical Rod Exit Devices
Metal Door Preparation



1-800-438-1951
 www.yalelocks.com

TEMPLATE NUMBER

7400-0581

DATE

05-15