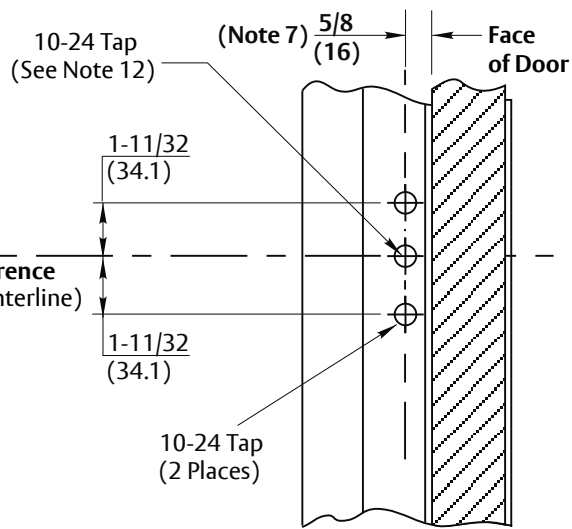
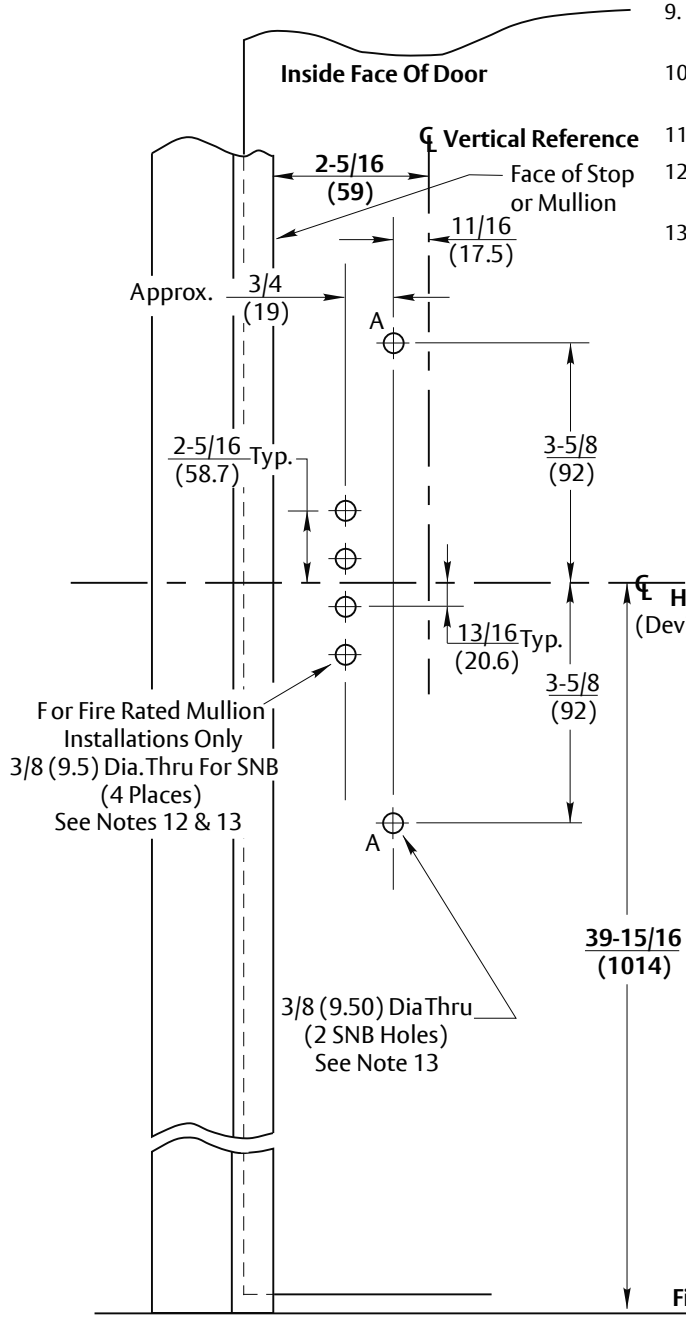


Strike Reinforcement
(See Note 6)

Notes:

1. Do not scale drawing.
 2. Dimensions are in inches (mm).
 3. LHR door shown. Preparation is typical for both door hands.
 4. Minimum door stile width: 4-1/2(114).
 5. Prepare mounting holes when installing the device.
 6. Unreinforced frames require blind rivet nuts (by others) to mount the strike.
 7. Dimension from door face.
 8. For outside trim preparation see appropriate trim template.
 9. Provide adequate structural support to maintain door integrity after device installation with power tools, door use, or abuse.
 10. Device mount to hinge stile (not shown) requires hole location and preparation during device installation. Door structural requirements are similar for both door stiles.
 11. For electrical devices (suffixes "-B", "-O", "-G", "-P", "-S") also see template 7477-0001.
 12. This hole(s) MUST be field located using physical part as template, after installation is complete and device is fully operational.
 13. Wood screws (by others) permitted for solid core wood doors if pilot holes are used for installation, when door label allows its use.
- Device: #14x1-1/4"RHWS, interlock: #10x1-1/4" FHWS.



Strike Preparation Detail

MULLION NOTE:
 FOR MULLION MODEL NUMBERS: M100(F) AND KRM100(F)
 REFER TO TEMPLATE NUMBER 7400-0100.
 FOR MULLION MODEL NUMBERS: M200(F) AND KRM200(F)
 REFER TO TEMPLATE NUMBER 7400-0200.
 FOR MULLION MODEL NUMBERS: M200FWS AND KRM200FWS
 REFER TO TEMPLATE NUMBER 7400-0210.

RESPONSIBILITY
 DOOR AND FRAME MANUFACTURERS ARE RESPONSIBLE FOR PROVIDING ADEQUATE CONSTRUCTION OR REINFORCEMENTS FOR PROPER INSTALLATION OF HARDWARE SHOWN. ALL ARCHITECTURAL BUILDERS HARDWARE MUST BE INSTALLED ON PROPERLY REINFORCED DOORS AND FRAMES, REGARDLESS OF TYPE, MATERIAL, OR METHOD OF CONSTRUCTION.

6100F & 7100F Rim Fire Exit Devices with 757F Strike
 Application for Fire Labeled Wood or Composite Door and H.M. Frame or Mullion
Contact us for support at 1-855-577-5078.

ASSA ABLOY

SUPERSEDES	DO NOT SCALE DRAWING	
TEMPLATE NUMBER	7470-1002	DATE 01-24