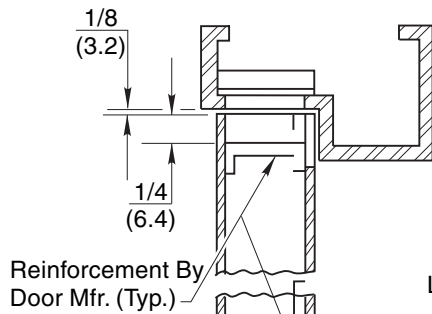
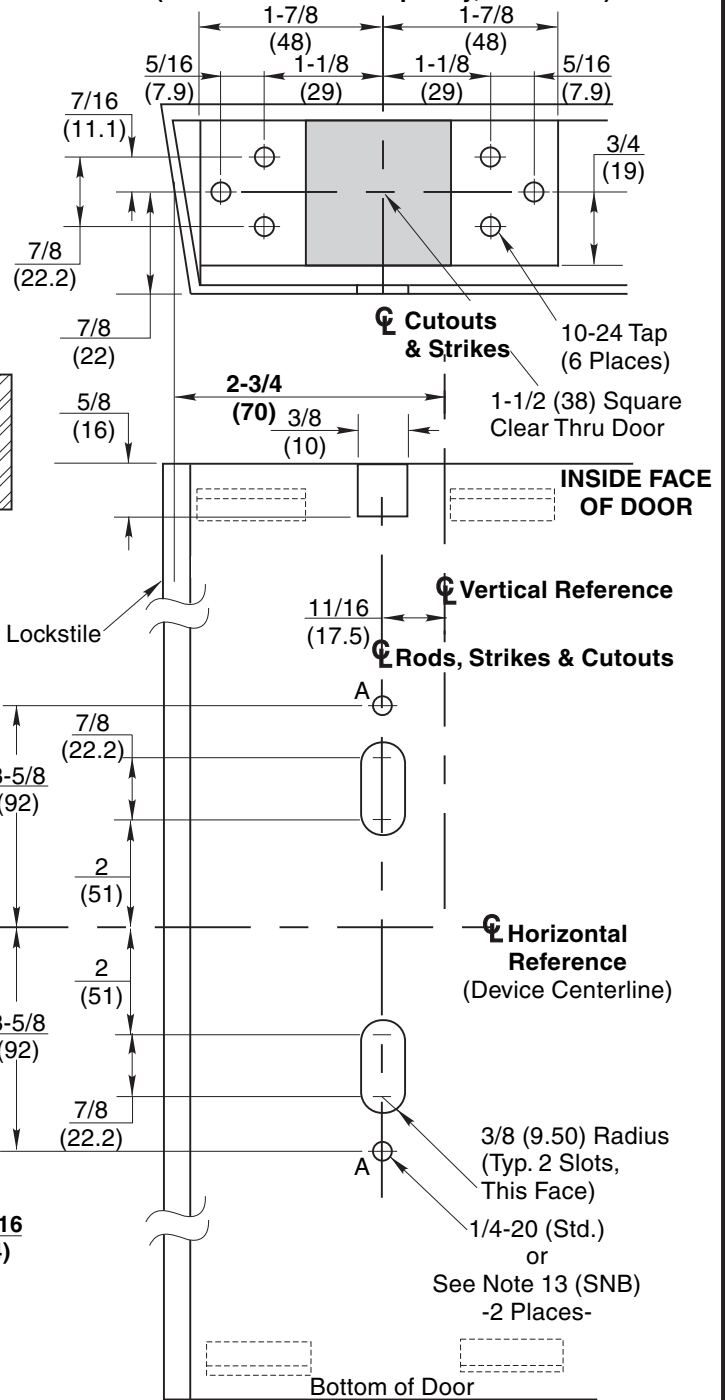
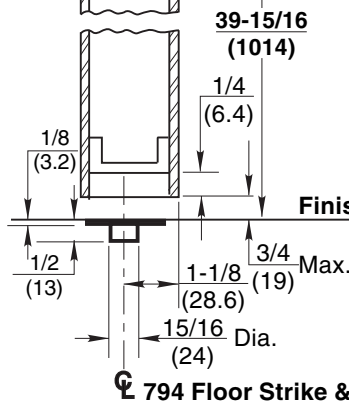
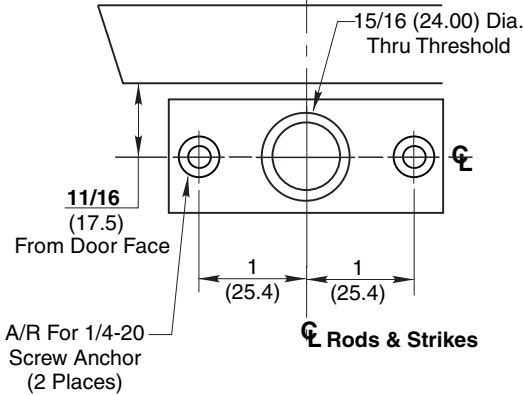


**See Sheet 2 for Notes
& Top Strike Detail**

**Typical Top & Bottom Door Detail
(Door Face Cutout Top Only, As Shown)**



**794 STRIKE DETAIL
-See Note 15-**



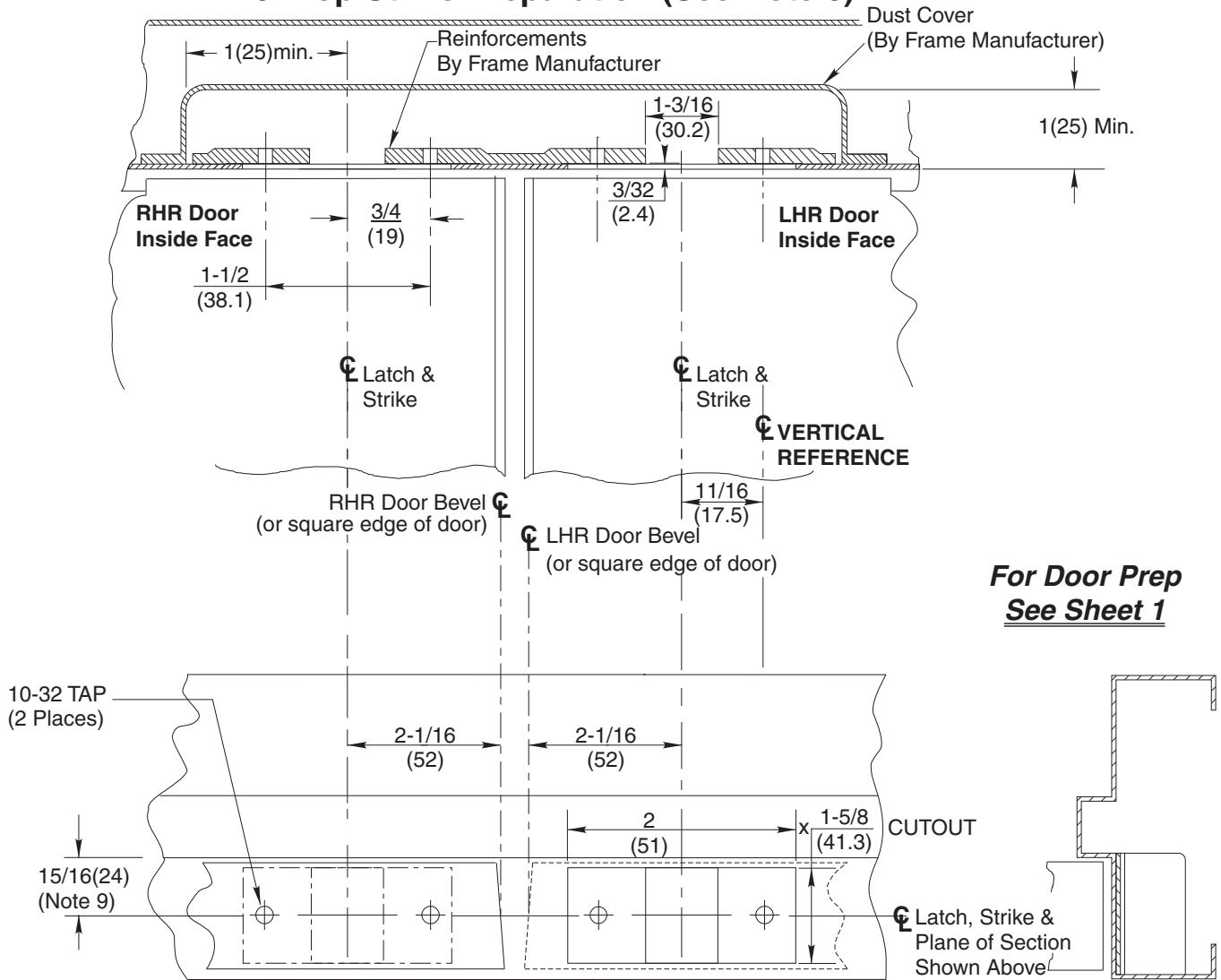
**6160 (F90), 7160 (F90) Series
Concealed Vertical Rod Exit Devices**
Application for Metal Door and Frame Without Threshold;
761 Top Strike & 794 Optional Floor Strike



1-800-438-1951
www.yalelocks.com

TEMPLATE NUMBER	SHEET	DATE
7470-0062	1 of 2	11-15

761 Top Strike Preparation (See Note 6)



Notes:

1. Do not scale drawing.
2. Dimensions are in inches (mm).
3. Preparation is typical for both hands.
4. Minimum door stile width: 4-1/2 (114).
5. Prepare mounting holes when installing the device.
6. Drawing shows elevation (frame bisected on strike center), bottom view looking up and side view.
7. Provide adequate structural support to maintain door integrity after device installation with power tools, door use, or abuse.
8. For recommended door reinforcements see template 7400-0000.
9. Door located in frame for door silencers. If not used, compensate this dimension to seat the door against the stop without rattle.
10. Device mount to hinge stile (not shown) requires hole location and preparation during device installation.
11. For outside trim preparation see appropriate trim template.
12. For electrical devices (suffixes "-B", "-G", "-O", "-P", "-S") also see template 7477-0001.
13. Holes for optional SNB (Required for unreinforced doors):
9/32 (7.00) dia., inside door face;
3/8 (9.50) dia., outside door face.
14. Maximum thickness 5/32 (4.0) when outside escutcheon trim is used.
15. Bottom bolt should retract to 1/8 (3.2) above floor strike. Floor coverings in the door path must be laid accordingly.

6160 (F90), 7160 (F90) Series
Concealed Vertical Rod Exit Devices
 Application for Metal Door and Frame Without Threshold;
 761 Top Strike & 794 Optional Floor Strike



1-800-438-1951
 www.yalelocks.com

TEMPLATE NUMBER	SHEET	DATE
7470-0062	2 of 2	11-15