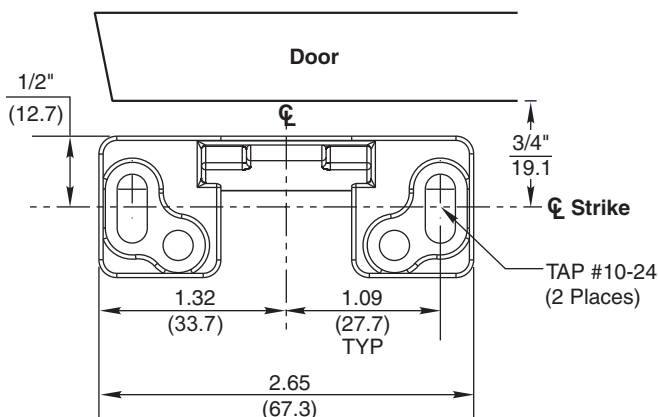
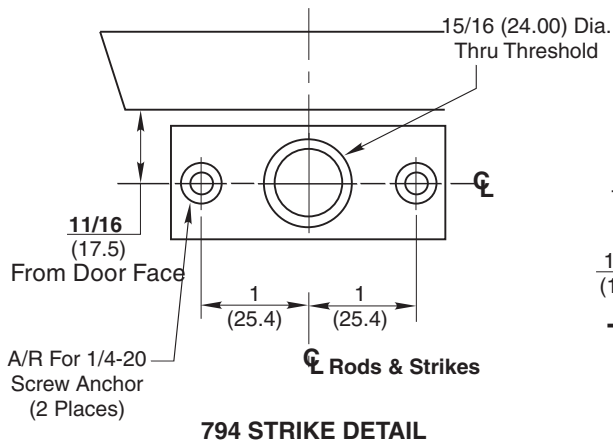
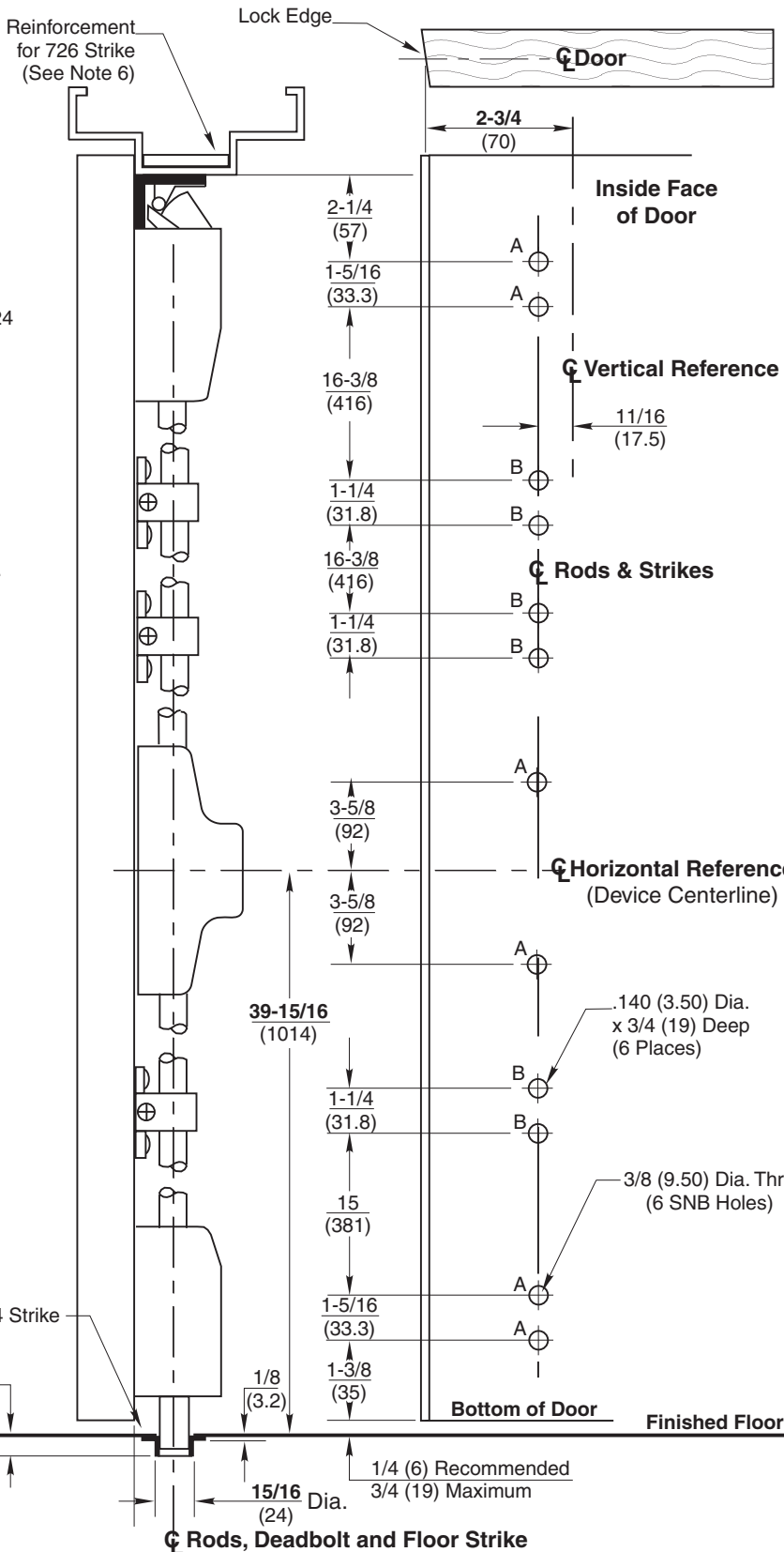


726 TOP STRIKE DETAIL
(See Note 7)



Notes:

1. Do not scale drawing.
2. Dimensions are in inches (mm).
3. LHR door shown. Preparation is typical for both door hands.
4. Minimum door stile width 4-1/2(114).
5. Prepare mounting holes when installing the device.
6. Unreinforced frames require blind rivet nuts (by others) to mount the strike.
7. Door in frame with door silencers. Compensate strike distances for other conditions.
8. Wood screws #14x1-1/4" (by others) permitted in solid core wood doors if pilot holes are used for installation, when door label allows its use.
9. Provide adequate structural support to maintain door integrity after device installation with power tools, door use, or abuse.
10. Device mount to hinge stile (not shown) requires hole location and preparation during device installation. Door structural requirements are similar for both door stiles.
11. For outside trim preparation see appropriate trim template.
12. For electrical devices (suffixes "-B", "-G", "-O", "-P", "-S") also see template 7477-0001.
13. Bottom bolt should retract to 1/8 (3.2) above floor strike. Floor coverings in the door path must be laid accordingly.



6170F90-10, 6170-10, 6175-10
7170WF90-10, 7170W-10, 7175W-10
Surface Vertical Rod Exit Devices
with Optional 794 Floor Strike
 Application for Wood or Composite Door and
 HM Frame without Threshold

Yale 1-800-438-1951
 www.yalelocks.com

TEMPLATE NUMBER	DATE
7470-1072	01-17