

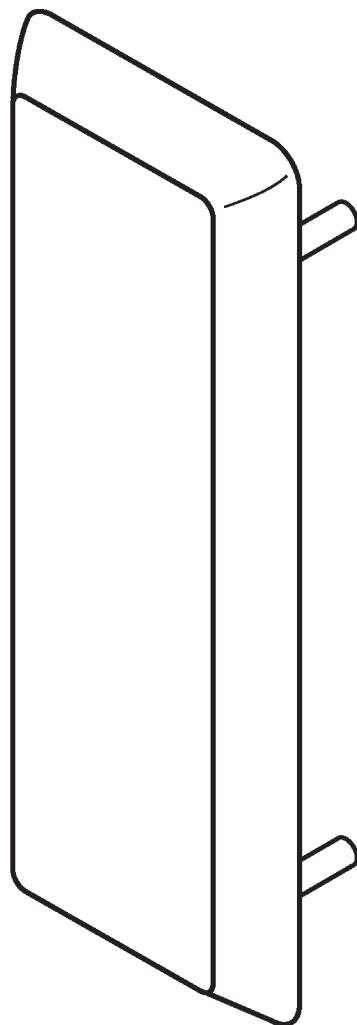
620F & 629F

ASSA ABLOY

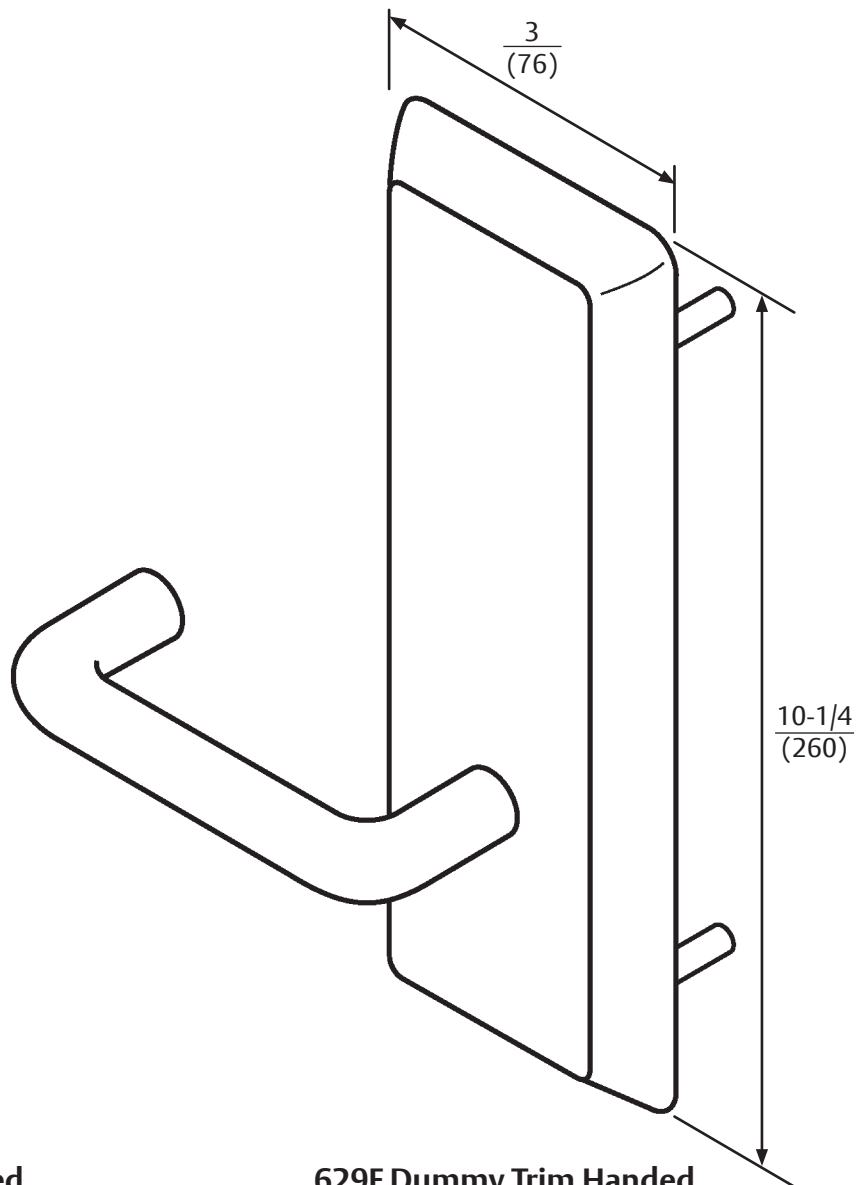
Exit Device Trim

Installation Instructions

For use with all ASSA ABLOY 7000, 2100, 1800 and 1500 Series Exit Devices (Wood and Metal Doors)



620F Blank Trim Non-Handed



629F Dummy Trim Handed
(RHR or LHR) Rigid Lever

WARNING

This product can expose you to lead which is known to the state of California to cause cancer and birth defects or other reproductive harm. For more information go to www.P65warnings.ca.gov.

WARNING

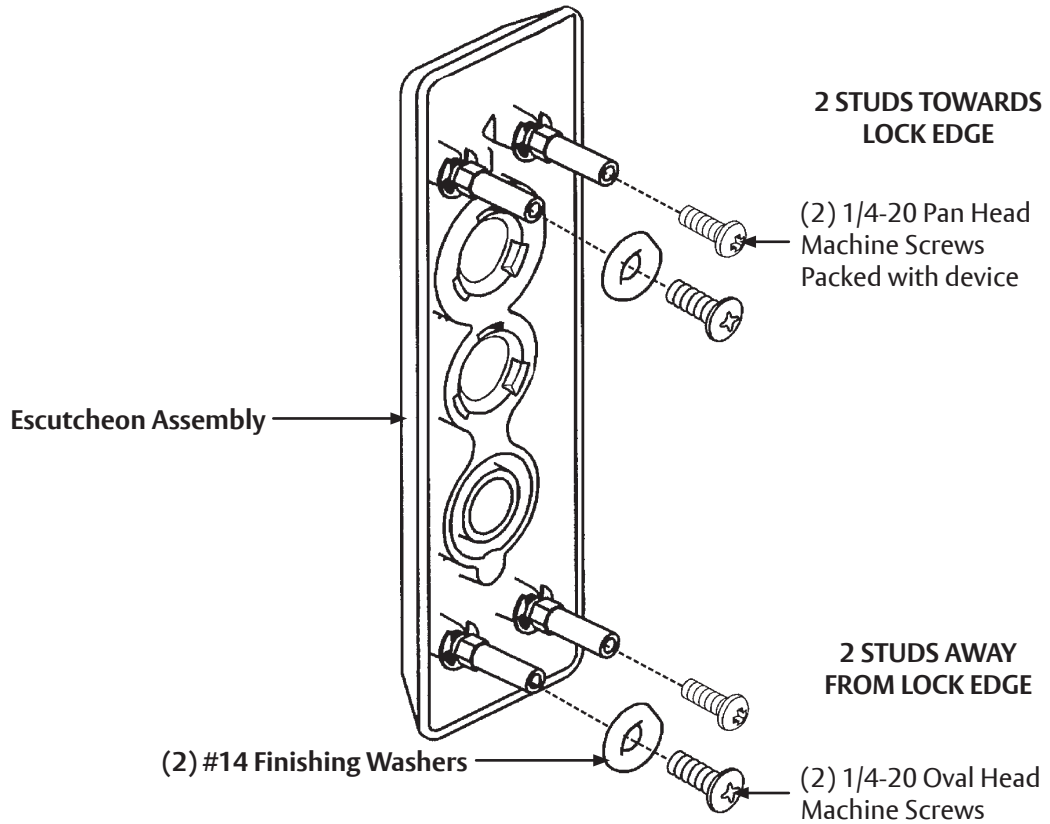
Attention Installer: Any retrofit or other field modification to a fire rated opening can potentially impact the fire rating of the opening, and ASSA ABLOY makes no representations or warranties concerning what such impact may be in any specific situation. When retrofitting any portion of an existing fire-rated opening, or specifying and installing a new fire-rated opening, please consult with a code specialist or local code official (Authority Having Jurisdiction) to ensure compliance with all applicable codes and ratings.

80-8470-0620-000 11/23

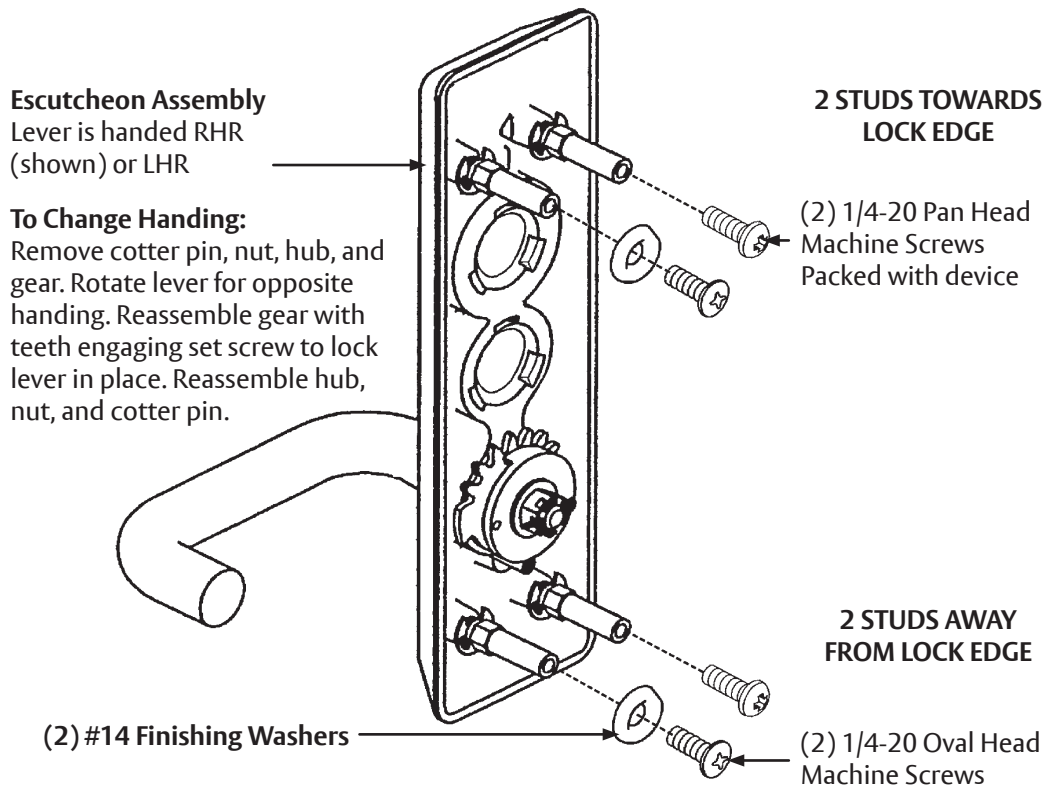
1-800-235-7482 • www.assaabloy.com

Trim Components

620F Blank Trim

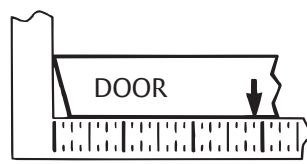


629F Dummy Trim

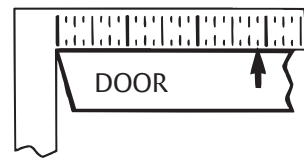


Installation Instructions

1. Check box for contents. See previous page for components
2. After marking door inside face for device location (Device Instructions), transfer Vertical Reference Centerline from inside to outside door face. Follow steps 2a. and 2b. below.
3. Transfer Horizontal Reference Centerline from inside to outside door face.
4. Align trim template and tape to outside door face.
5. Spot holes and prepare door for trim
6. Mount trim to door thru holes "B". Fasten finger tight only with (2) screws and washers seating on door as shown in **Fig. 1**
7. Continue as shown in device instructions.

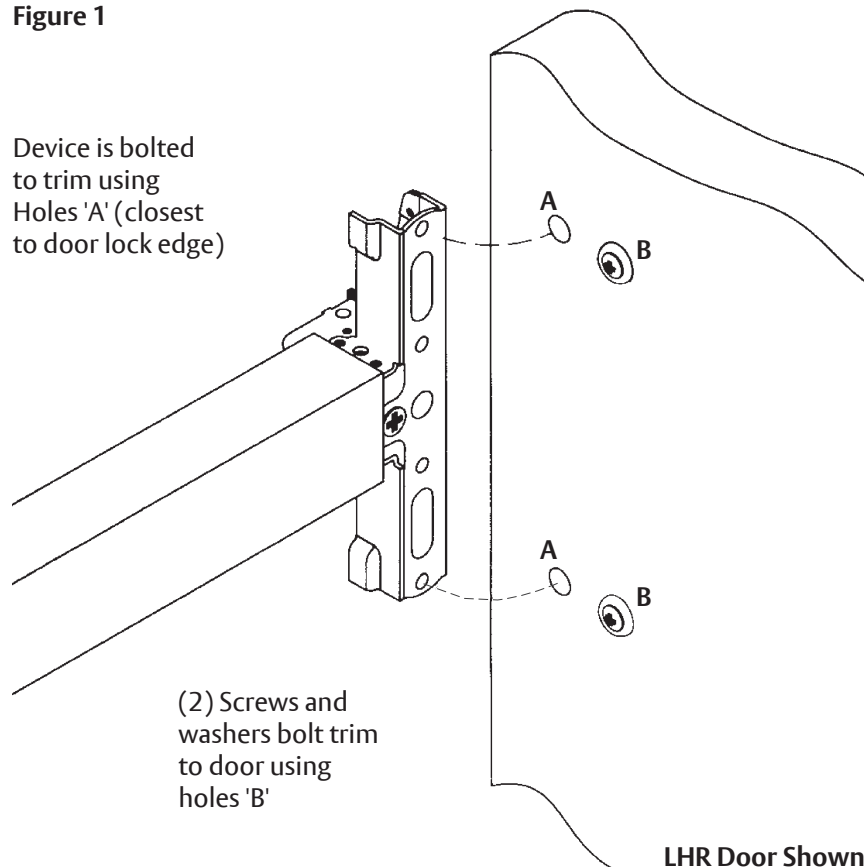


2a. MEASURE INSIDE
LINE LOCATION.



2b. CARRY DIMENSION OVER
TO OUTSIDE FACE

Figure 1



Trim Template

HOLES MARKED "X" (4 Places)	
METAL DOORS:	
Inside Face	5/16" (8) Dia.
Outside Face	1/2" (13) Dia.
WOOD DOORS: 1/2" (13) Dia. Thru	

Dimensions given in $\frac{\text{inches}}{\text{(mm)}}$

TRIM	HOLES
620F	X
629F	A, X

CAUTION:

Office copiers, printers and facsimile machines may change the size of a drawing and make the template inaccurate to use as a door marker.

