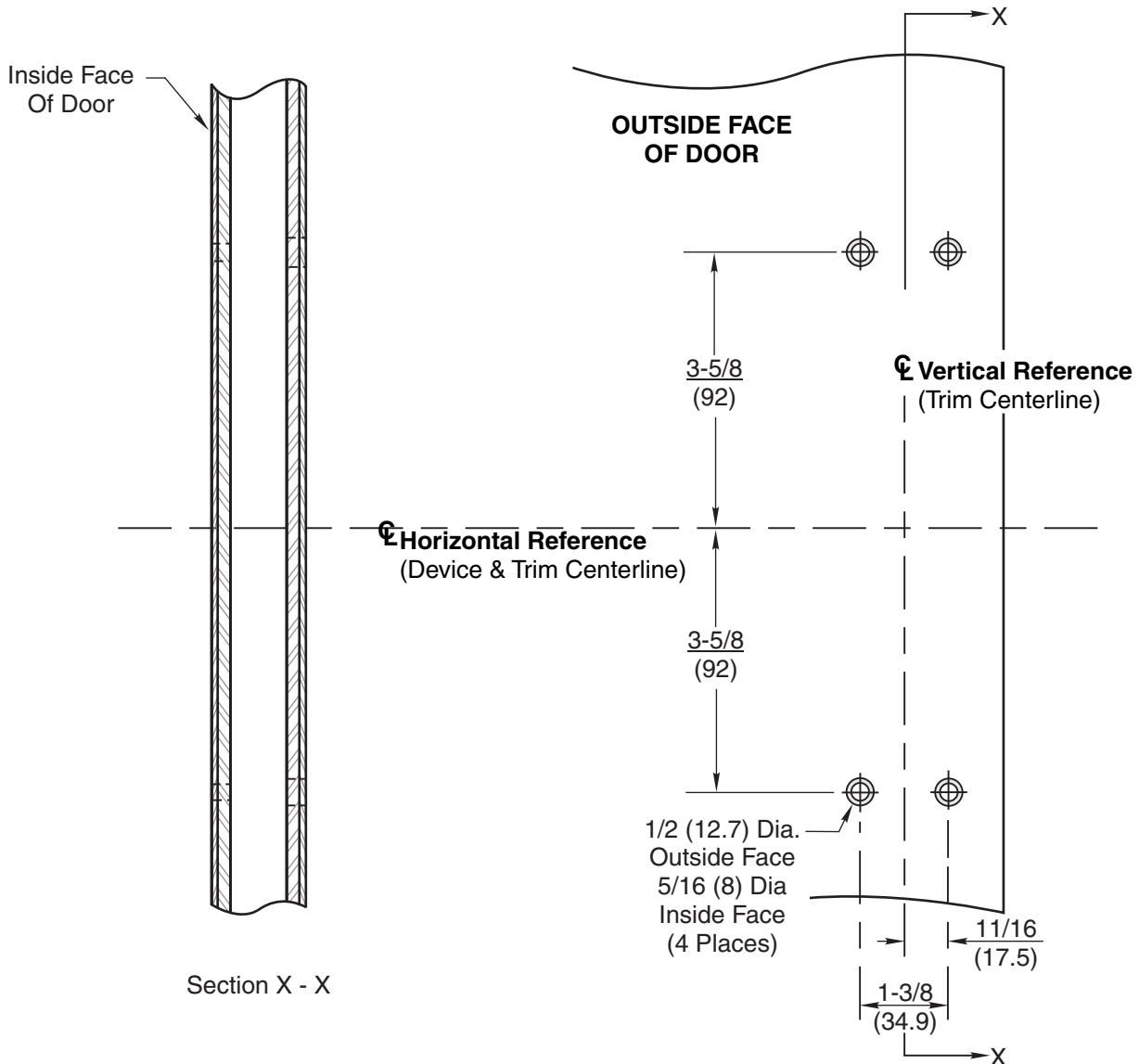
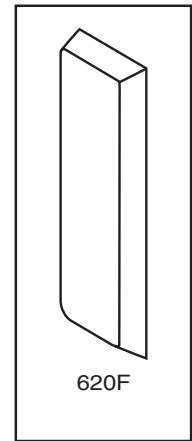


Notes:

1. This template is an addition to the device template. Locate centerlines using horizontal and vertical references on device template.
2. Do not scale drawing.
3. Dimensions are in inches (mm).
4. LHR door shown. Preparation is typical for both door hands.
5. For door reinforcement see template 7400-0000.
6. Prepare mounting holes when installing trim.
7. Provide adequate internal support to prevent door deformation after trim is bolted to the device.



620F Trim
With 1500(F), 2100(F), 6100(F) or 7100(F) Series
Rim, Mortise and Vertical Rod Exit Devices
Metal Door Preparation



1-800-438-1951
www.yalelocks.com

TEMPLATE NUMBER

7400-0620

DATE

05-15