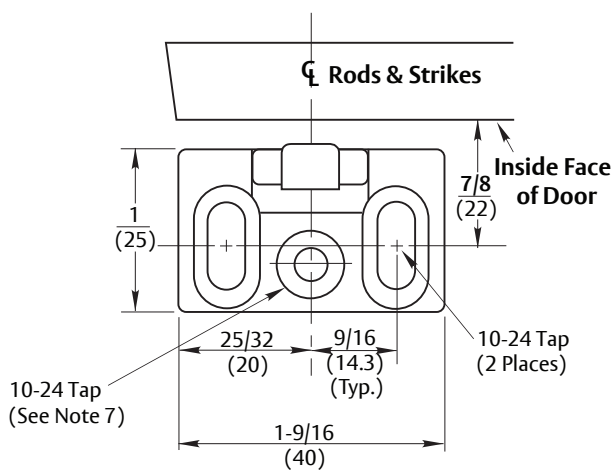


791 STRIKE DETAIL



NOTES:

1. Do not scale drawing.
2. Dimensions are in inches (mm).
3. LHR door shown. Preparation is typical for both door hands.
4. Minimum door stile width: 1-3/4 (45).
5. Prepare mounting holes when installing the device.
6. Unreinforced frames require blind rivet nuts (by others) to mount the strike.
7. This hole MUST be field located using physical part as template, after installation is complete and device is fully operational.
8. For recommended door reinforcements see template 7400-0000. Unreinforced doors require SNB option to mount the device components.
9. Holes for optional SNB: 9/32 (7.00) dia., inside door face; 3/8 (9.50) dia., outside door face.
10. Provide door stiffeners, as needed to prevent door collapse due to installation with power tools, door use, or abuse.
11. Device mount to hinge stile (not shown) requires hole location and preparation during device installation.
12. For outside trim preparation see appropriate trim template.
13. For electrical devices (suffixes "-B", "-G", "-O", "-P", "-S") also see template 7477-0001.
14. Bottom bolt should retract to 1/8 (3.2) above floor strike. Floor coverings in the door path must be laid accordingly.

RESPONSIBILITY
 DOOR AND FRAME MANUFACTURERS ARE RESPONSIBLE FOR PROVIDING ADEQUATE CONSTRUCTION OR REINFORCEMENTS FOR PROPER INSTALLATION OF HARDWARE SHOWN. ALL ARCHITECTURAL BUILDERS HARDWARE MUST BE INSTALLED ON PROPERLY REINFORCED DOORS AND FRAMES, REGARDLESS OF TYPE, MATERIAL, OR METHOD OF CONSTRUCTION.

6210, 6215, 7210 & 7215 Surface Vertical Rod Panic Devices
 Application for Aluminum Door and Blade Stop Frame with 790 Floor Strike; 791 Top Strike
Contact us for support at 1-855-557-5078.

ASSA ABLOY

SUPERSEDES	11/15	DO NOT SCALE DRAWING
TEMPLATE NUMBER	7472-0010	DATE 01-24