

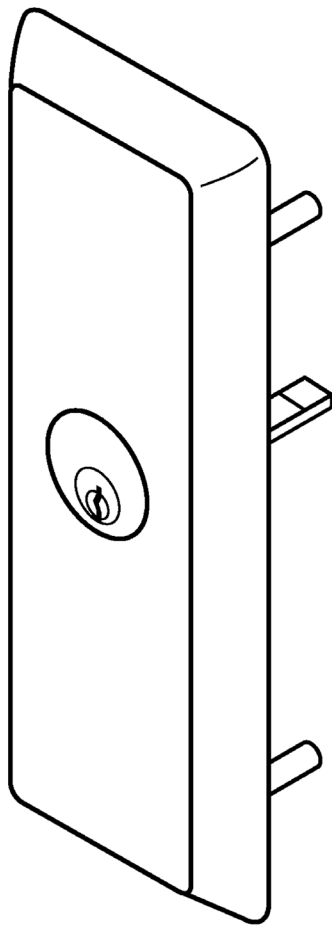
621F and 627F Exit Device

Trim

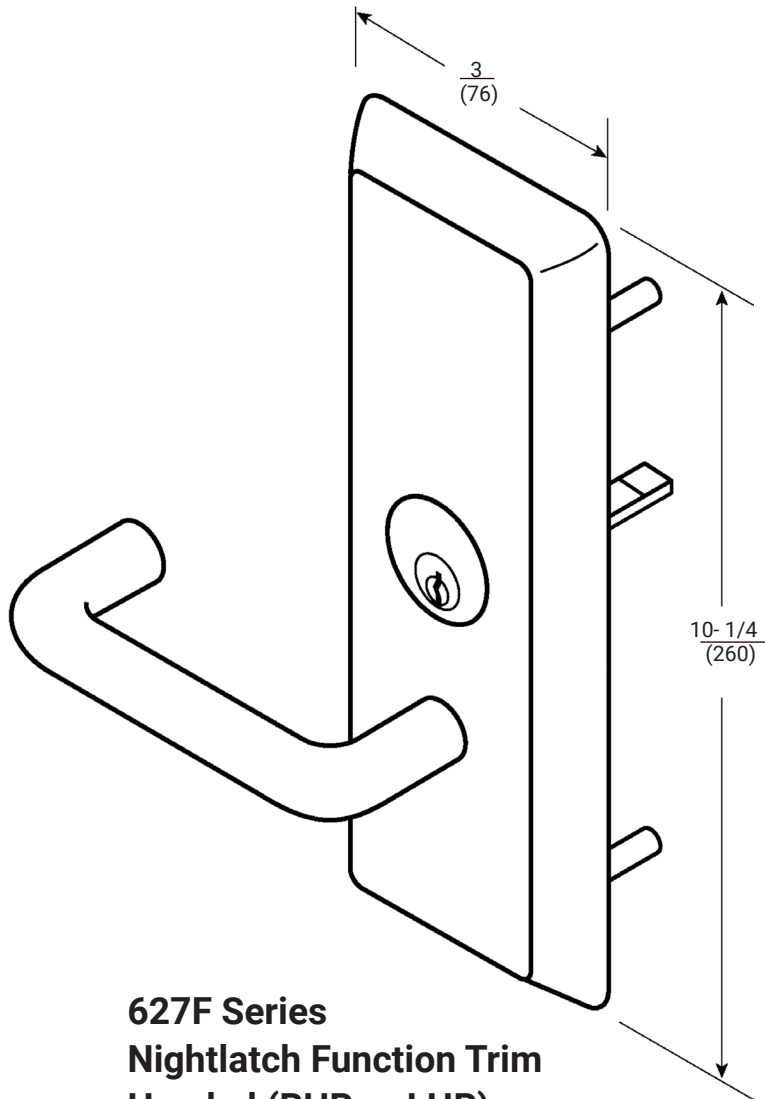
Installation Instructions



For use with all ACCENTRA 7000, 2100, 1800 and 1500 Series Exit Devices
(Wood and Metal Doors)



621F Series
Nightlatch Function Trim
Non-Handed



627F Series
Nightlatch Function Trim
Handed (RHR or LHR)
Free-Wheeling Lever

WARNING

This product can expose you to lead which is known to the state of California to cause cancer and birth defects or other reproductive harm. For more information go to www.P65warnings.ca.gov.

WARNING

Attention Installer: Any retrofit or other field modification to a fire rated opening can potentially impact the fire rating of the opening, and ASSA ABLOY makes no representations or warranties concerning what such impact may be in any specific situation. When retrofitting any portion of an existing fire-rated opening, or specifying and installing a new fire-rated opening, please consult with a code specialist or local code official (Authority Having Jurisdiction) to ensure compliance with all applicable codes and ratings.

1-855-557-5078 Ext. 2 • www.accentra-assaabloy.com

80-8470-0621-000 04/24

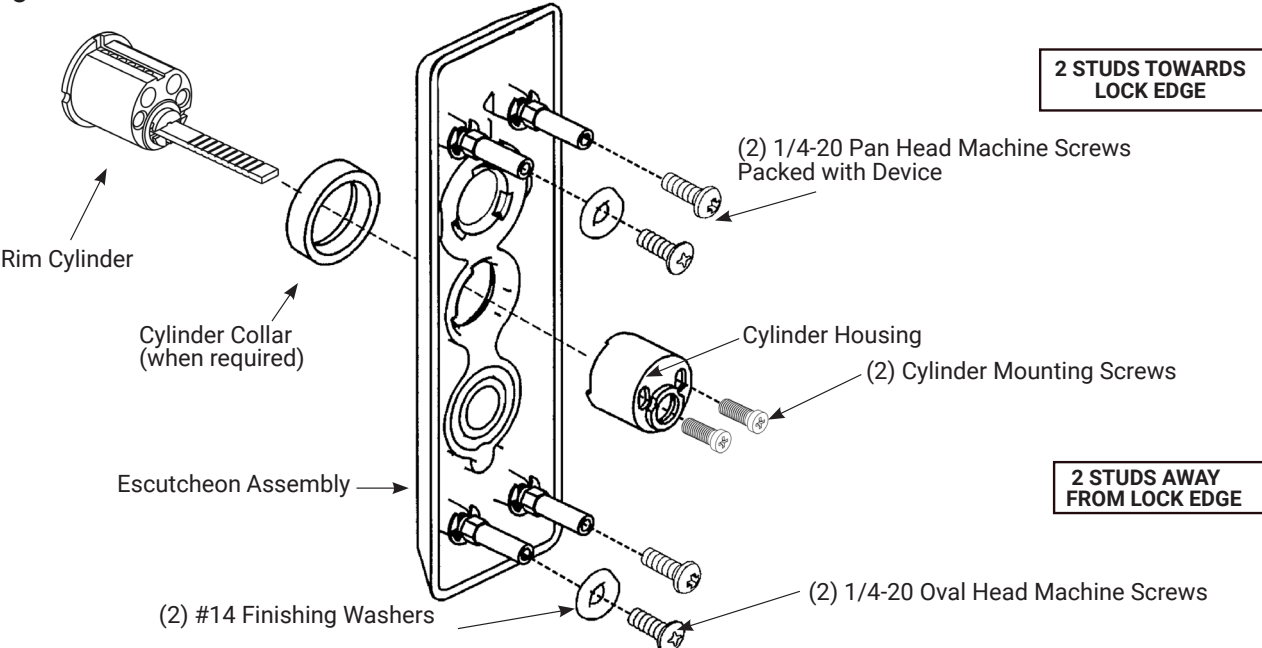
Trim Assembly Instructions

1. Check cylinder components.
 - Note:** Cylinders longer than 1-1/8" (29) will require collars. Refer to ACCENTRA™ cylinder collar chart.
2. Assembly cylinder
 - Insert cylinder housing prongs into matching notches of escutcheon. Pass cylinder tailpiece thru cylinder collar (when required) and hole in cylinder housing.
 - Fasten cylinder using (2) mounting screws. **DO NOT OVERTIGHTEN SCREWS.**

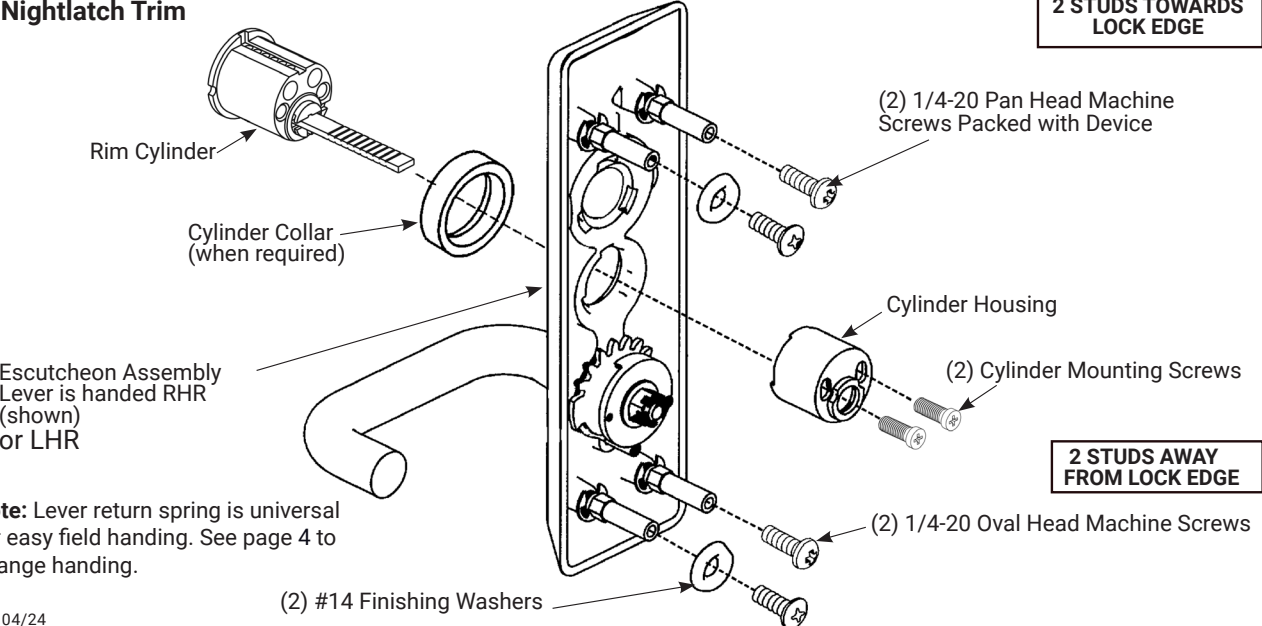
ACCENTRA™ Cylinder Collar Chart	
Cylinder Length	Collar
1-1/8" (29)	None
1-1/4" (32)	**
1-1/2" (38)	**

**Specify finish

621F Series Nightlatch Trim



627F Series Nightlatch Trim



Note: Lever return spring is universal for easy field handing. See page 4 to change handing.

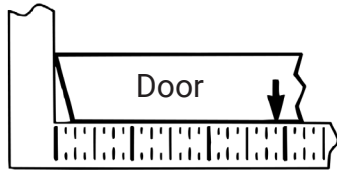
621 and 627 Exit Device

Trim Installation Instructions

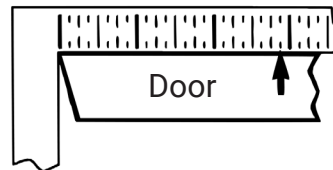
Installation

1. Check the box for contents. See page 2 for components.
2. After marking door inside face for device location (Device Instructions), transfer Vertical Reference Centerline from inside to outside door face. Follow steps a and b below.

2a. Measure inside line location.



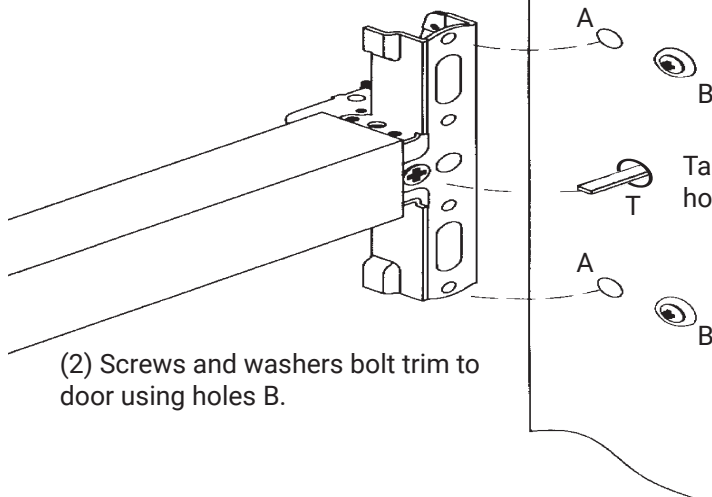
2b. Transfer dimension to outside face.



3. Transfer Horizontal Reference Centerline from inside to outside door face.
 4. Align trim template and tape to outside door face.
- ⚠ Caution:** Office copiers and facsimile machines may change the size of a drawing and make the template inaccurate to use as a door marker. If this is not the original template packed with the trim, use only the holes on the door (do not use template as a door marker).
5. Spot holes and prepare door for trim.
 6. Mount trim to door through holes B. Fasten finger tight only with (2) screws and washers seating on door as shown in Figure 1.
 7. Cut trim tailpiece as shown in Figure 2.
 8. Seat device so that the trim tailpiece penetrates the cam slot as shown in Figure 1.
 9. Continue as shown in the device instructions.

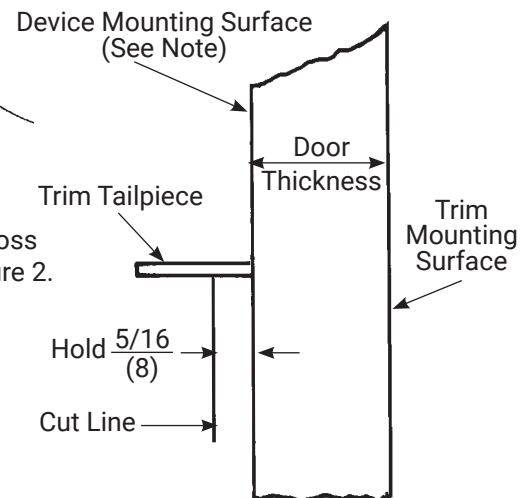
Figure 1

Device is bolted to trim using holes A (closest to door lock edge).



LHR Door Shown

Figure 2

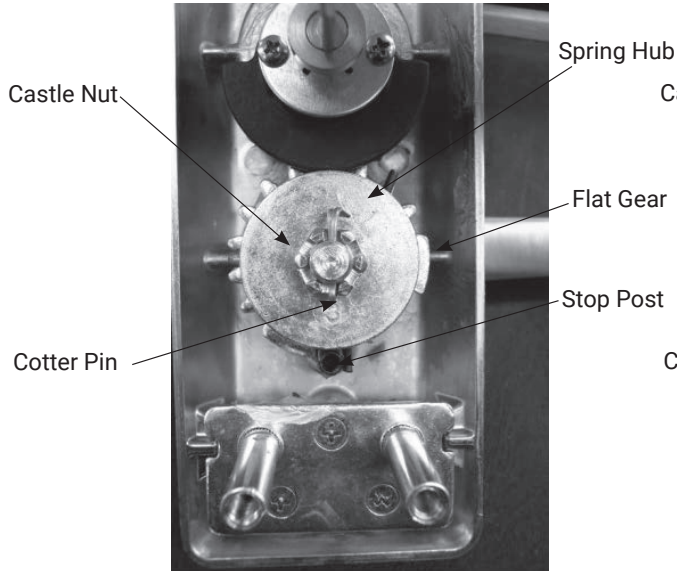


Note: Measure from device mounting surface (door face or shim surface).

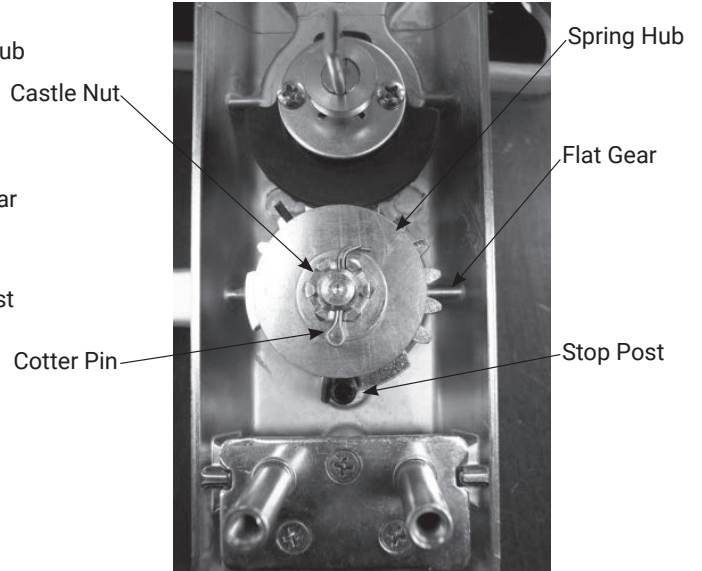
To Change Hands

Tools Needed: Needle Nose pliers, Crescent wrench

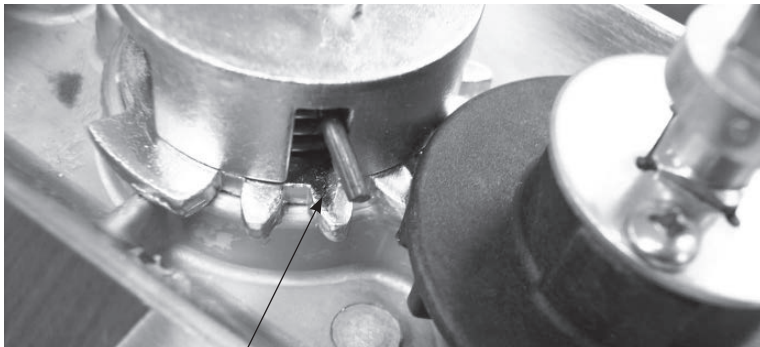
Left Hand Reverse



Right Hand Reverse



1. Remove cotter pin.
2. Remove castle nut.
3. Remove washer.
4. Carefully pull up on spring hub to disengage spring.
5. Remove spring and note orientation.
6. Remove lever handle.
7. Pick-up flat gear, flip and orient stop on opposite side of stop post. See pictures for orientation.
8. Install spring upside down from original orientation and place spring leg on opposite side of stop post from original installation orientation. See pictures for orientation.
9. Install lever 180 degrees from original position.
10. Install spring hub with stamped number in the 6 o'clock position.
11. Rotate spring leg around with needle nose pliers to engage notch in spring hub, refer to pictures for reference position. Press down on spring hub to ensure complete engagement.
12. Install washer.
13. Install castle nut, do not over tighten, verify by ensuring lever returns horizontally on its own.
14. Install cotter pin.



Notch for spring to engage for left hand reverse operation

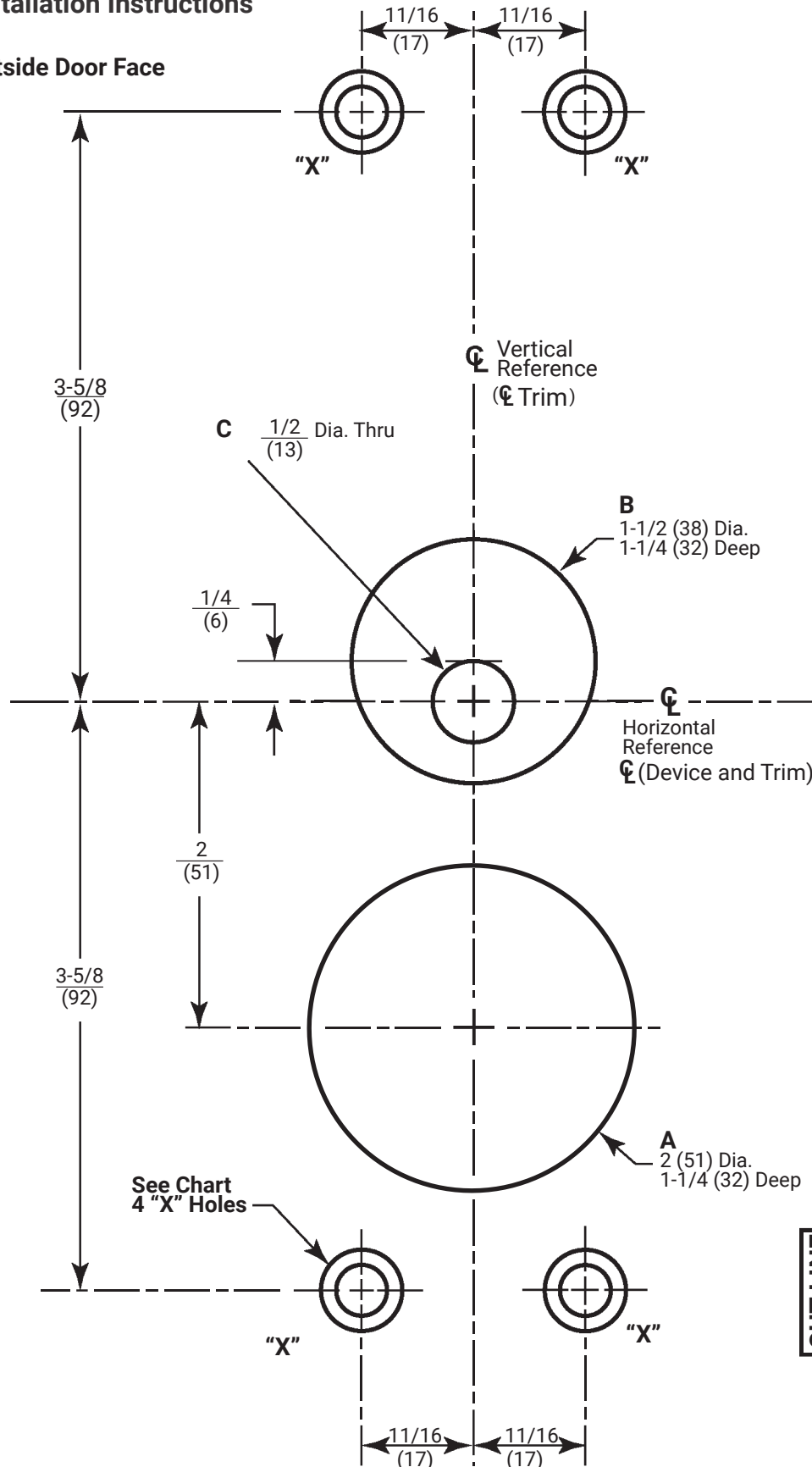


Spring orientation for right hand reverse operation

621 and 627 Exit Device

Trim Installation Instructions

Outside Door Face



ACCENTRA

ASSA ABLOY

Trim Template

Holes Marked X (4 Places)

Metal Doors:

Inside Face 5/16 (8) Dia.

Outside Face 1/2 (13) Dia.

Wood Doors:

1/2 (13) Dia. Thru

Dimensions given in $\frac{\text{Inches}}{\text{(mm)}}$

Trim	Holes
621F	B, C, X
627F	A, B, C, X

⚠ Caution: Office copiers and facsimile machines may change the size of a drawing and make the template inaccurate to use as a door marker. If this is not the original template packed with the trim, use only the holes on the door (do not use template as a door marker).

1-855-557-5078 Ext. 2 • www.accentra-assaabloy.com

Copyright © 2023, 2024 ASSA ABLOY ACCENTRA™ Access and Egress Hardware Group, Inc. All rights reserved. Reproduction in whole or in part without the express written permission of ASSA ABLOY Access and Egress Hardware Group, Inc. is prohibited.

Experience a safer
and more open world

621 and 627 Exit Device

Trim

Installation Instructions

ACCENTRA

ASSA ABLOY

