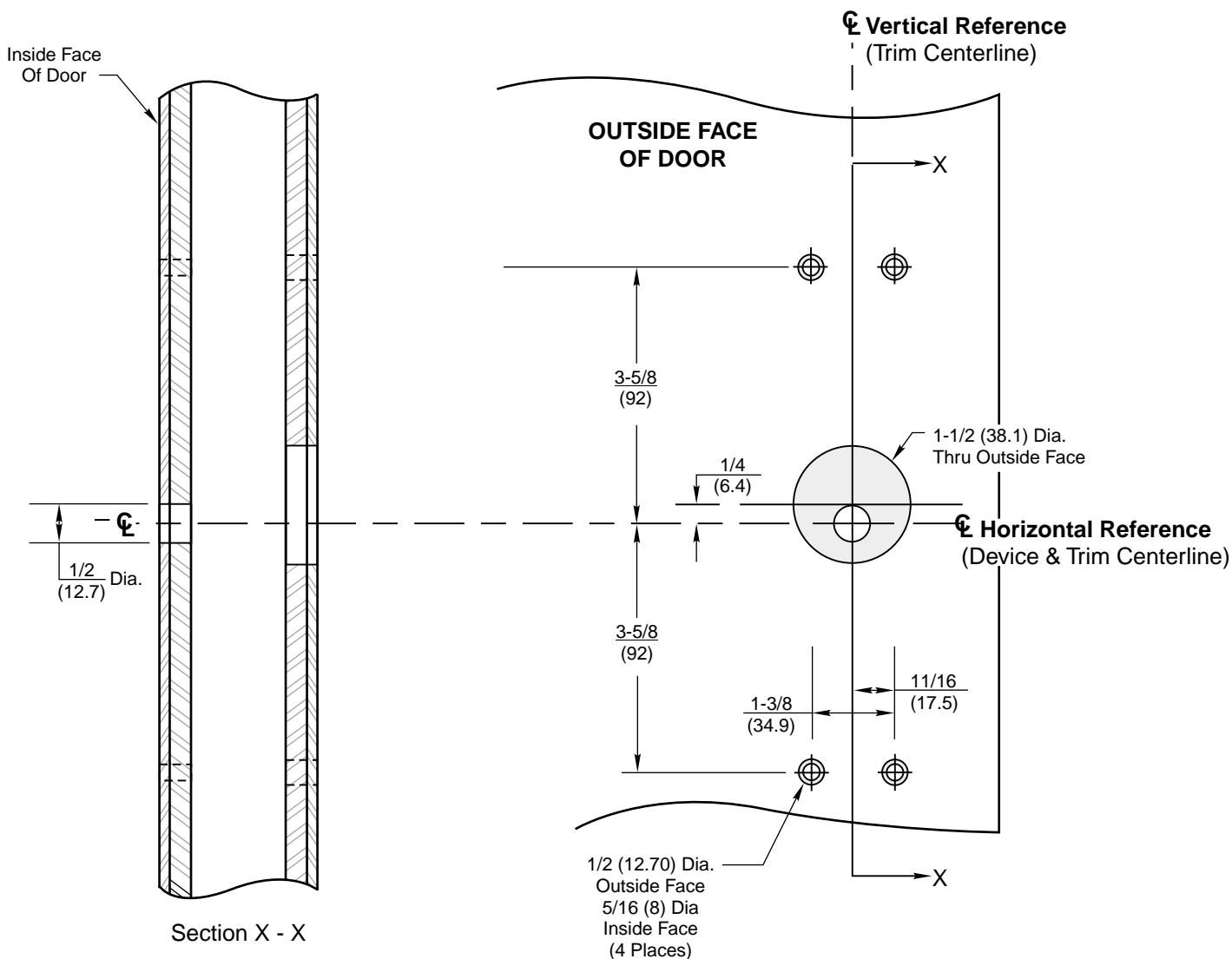
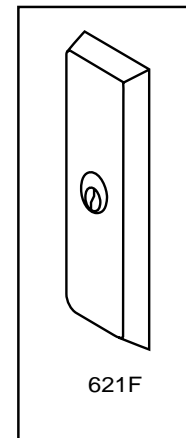


**Notes:**

1. This template is an addition to the device template. Locate centerlines using horizontal and vertical references on device template.
2. Do not scale drawing.
3. Dimensions are in inches (mm).
4. LHR door shown. Preparation is typical for both door hands.
5. For door reinforcement see template 7400-0000.
6. Prepare mounting holes when installing trim.
7. Provide adequate internal support to prevent door deformation after trim is bolted to the device.
8. Dimensions given about a centerline are symmetrical.



**621F Trim**

With 1500(F), 2100(F) or 7100(F) Series  
Rim and Vertical Rod Exit Devices  
**Metal Door Preparation**



**Yale Commercial Locks and Hardware**

www.yalecommercial.com

TEMPLATE NUMBER

**7400-0621**

DATE

**3-06**