

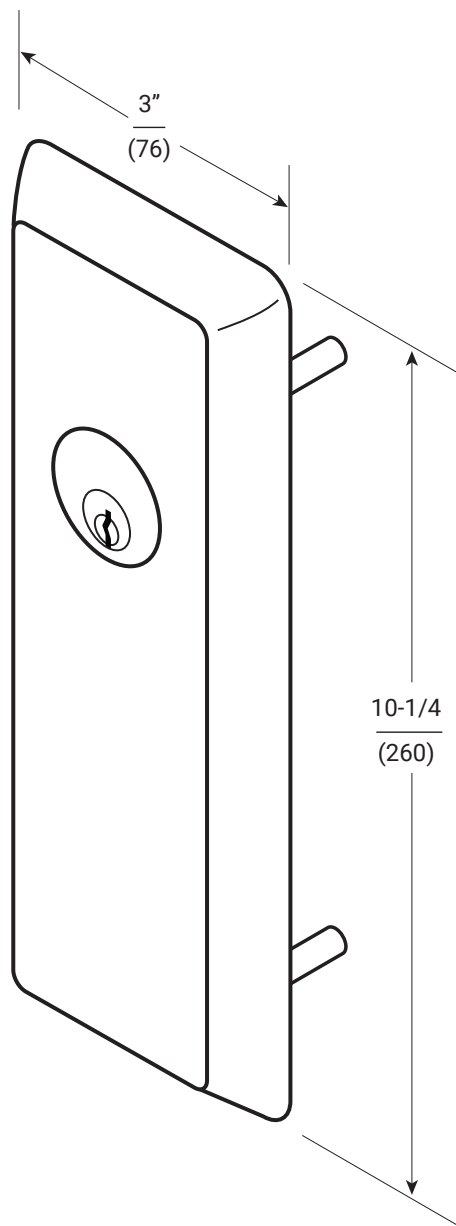
651F

Exit Device Trim

Installation Instructions

For use with all ASSA ABLOY ACCENTRA™ 7000 and 1500 Series Exit Devices (Wood and Metal Doors)

651F
Mortise Nightlatch Function
Non-Handed



WARNING

This product can expose you to lead which is known to the state of California to cause cancer and birth defects or other reproductive harm. For more information go to www.P65warnings.ca.gov.

WARNING

Attention Installer: Any retrofit or other field modification to a fire rated opening can potentially impact the fire rating of the opening, and ASSA ABLOY makes no representations or warranties concerning what such impact may be in any specific situation. When retrofitting any portion of an existing fire-rated opening, or specifying and installing a new fire-rated opening, please consult with a code specialist or local code official (Authority Having Jurisdiction) to ensure compliance with all applicable codes and ratings.

1-855-557-5078 Ext. 2 • www.accentra-assaabloy.com

Copyright © 2013, 2024, ASSA ABLOY ACCENTRA™ Access and Egress Hardware Group, Inc. All rights reserved. Reproduction in whole or in part without the express written permission of ASSA ABLOY Access and Egress Hardware Group, Inc. is prohibited.

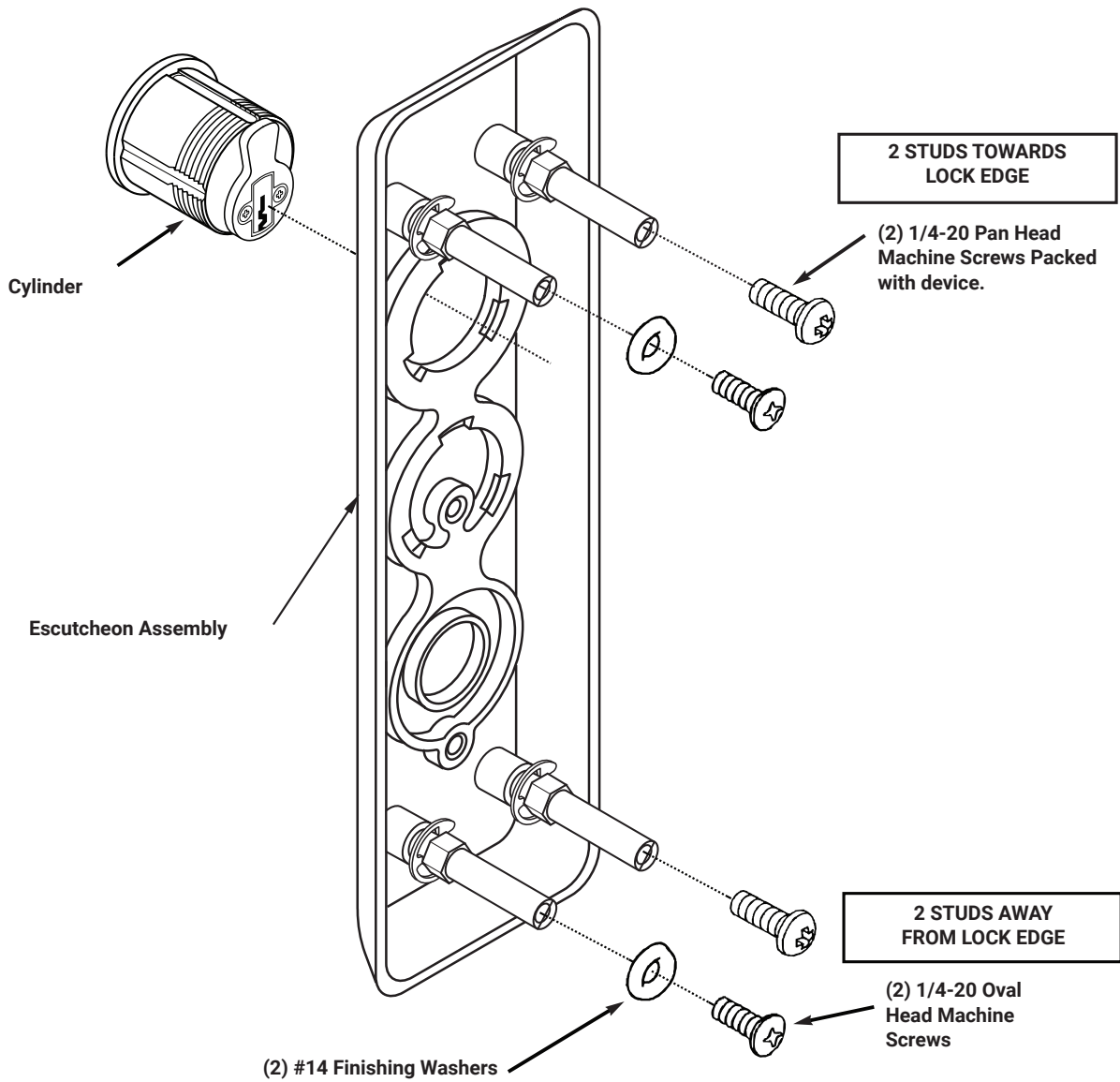
80-8470-0651-000 04/24

Experience a safer
and more open world

ACCENTRA
ASSA ABLOY

Trim Components

651F



651F

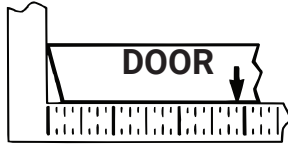
Exit Device Trim Installation Instructions

ACCENTRA

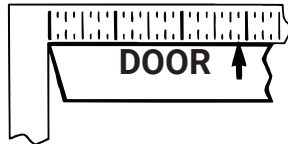
ASSA ABLOY

Installation Instructions

1. Check box for contents. See previous page for components
2. After marking door inside face for device location (Device Instructions), transfer Vertical Reference Centerline from inside to outside door face. Follow steps 2a. and 2b. below.
3. Transfer Horizontal Reference Centerline from inside to outside door face.
4. Align trim template and tape to outside door face.
5. Spot holes and prepare door for trim
6. Mount trim to door finger tight only, with (2) screws and washers seating on door as shown in Figure 1.
7. Thread cylinder into mortise lock until seated within escutcheon recess with keyway positioned vertically and with plug in lower cylinder as shown in Figure 1. Tighten cylinder locking screw thru mortise lock front.
8. Continue as shown in device instructions.



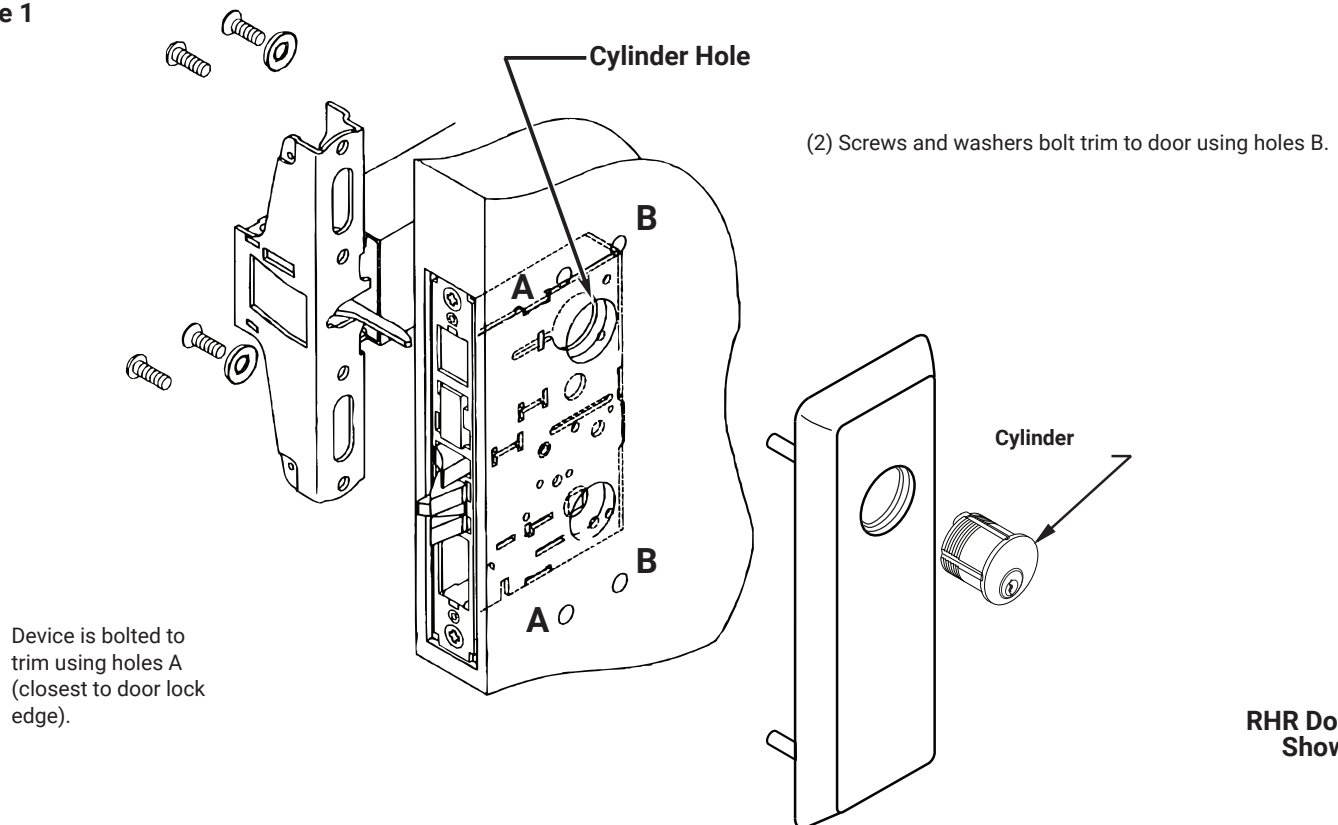
2a. MEASURE INSIDE LINE LOCATION.



2b. TRANSFER DIMENSION TO OUTSIDE FACE.

3. Transfer Horizontal Reference Centerline from inside to outside door face.
4. Align trim template and tape to outside door face.

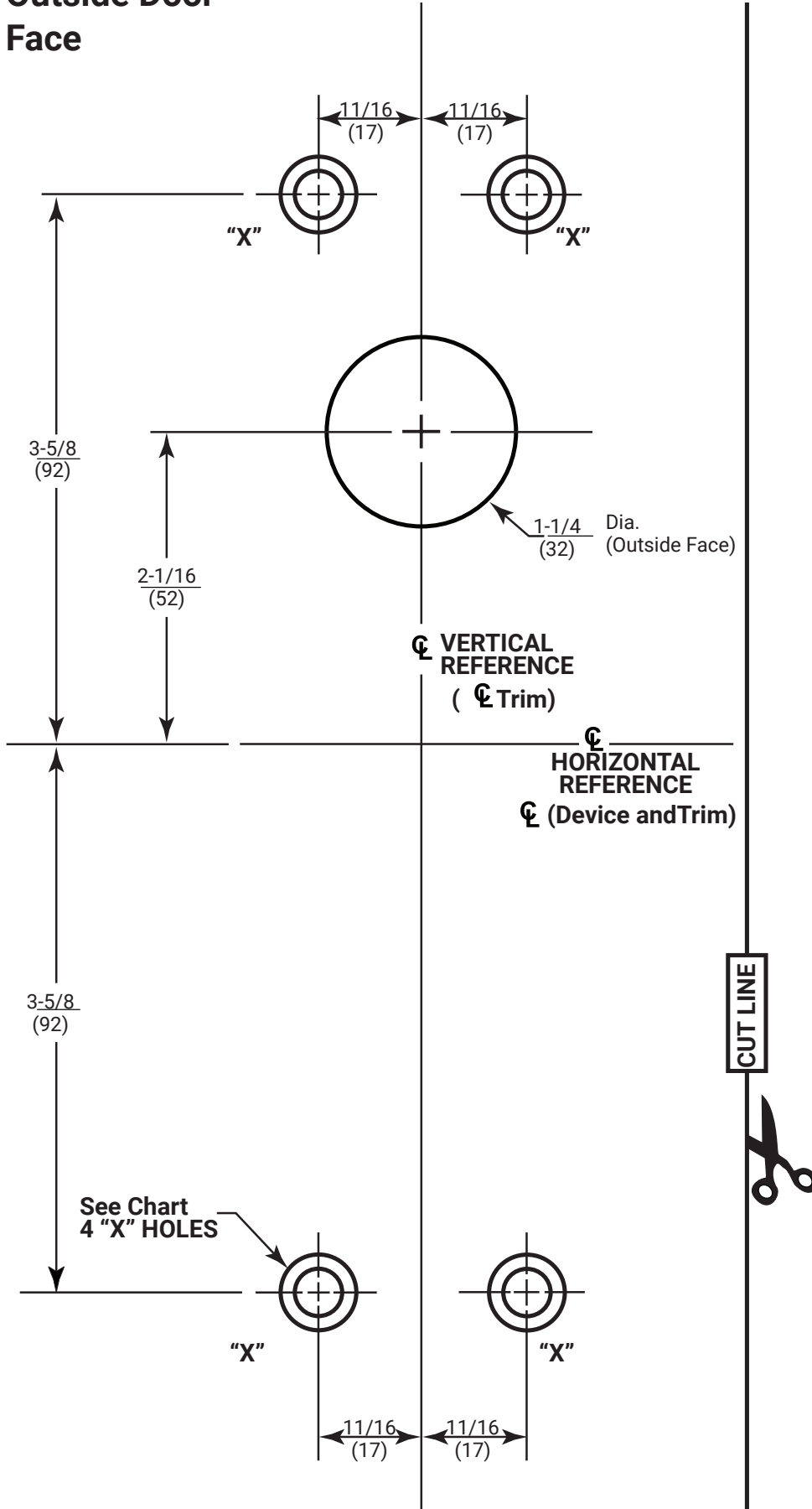
Figure 1



Outside Door Face

ACCENTRA

ASSA ABLOY



Trim Template

HOLES MARKED "X" (4 Places)	
METAL DOORS: Inside Face Outside Face	5/16" (8) Dia. 1/2" (13) Dia.
WOOD DOORS:	1/2" (13) Dia. Thru

Dimensions given in $\frac{\text{Inches}}{\text{(mm)}}$

CAUTION:
Office copiers, printers and facsimile machines may change the size of a drawing and make the template inaccurate to use as a door marker.