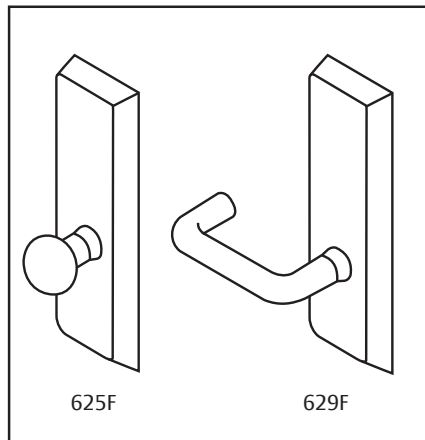
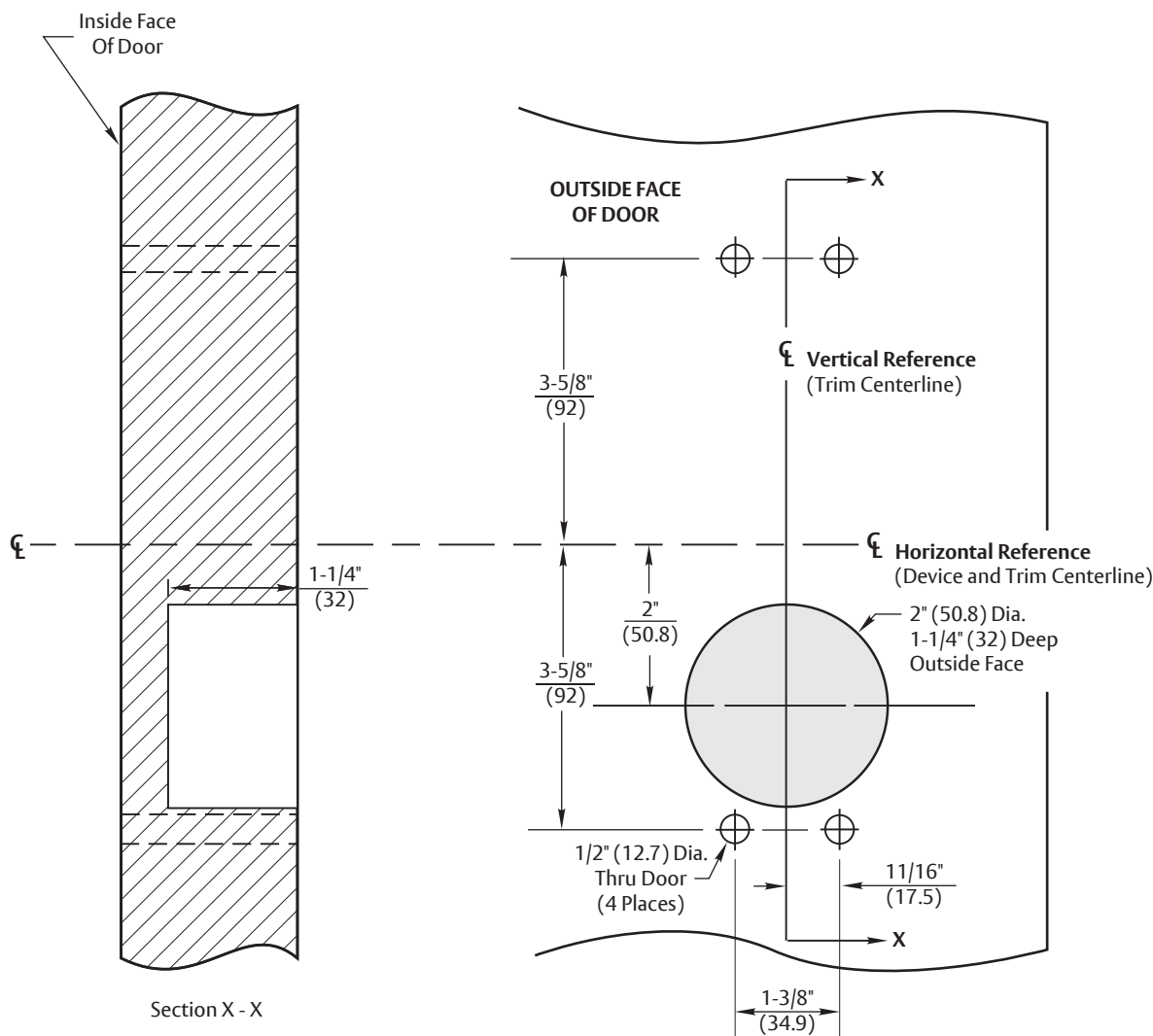


NOTES:

1. This template is an addition to the device template. Locate centerlines using horizontal and vertical references on device template.
2. Do not scale drawing.
3. Dimensions are in inches (mm).
4. LHR door shown. Preparation is typical for both door hands.
5. Provide adequate internal support to maintain door integrity during operation.
6. Prepare mounting holes when installing trim.



NOTE: Lever and knob prefix does not affect door prep.



RESPONSIBILITY
 DOOR AND FRAME MANUFACTURERS ARE RESPONSIBLE FOR PROVIDING ADEQUATE CONSTRUCTION OR REINFORCEMENTS FOR PROPER INSTALLATION OF HARDWARE SHOWN. ALL ARCHITECTURAL BUILDERS HARDWARE MUST BE INSTALLED ON PROPERLY REINFORCED DOORS AND FRAMES, REGARDLESS OF TYPE, MATERIAL, OR METHOD OF CONSTRUCTION.

625F and 629F Trim
With 1500(F), 2100(F), 6100(F), or 7100(F) Series Rim and Vertical Rod Exit Devices
Wood or Composite Door Preparation
Contact us for support at 1-800-438-1951.

ASSA ABLOY

SUPERSEDES 7400-1625 (05-15)	DO NOT SCALE DRAWING	
TEMPLATE NUMBER	7400-1625	DATE 12-23

Experience a safer and more open world