

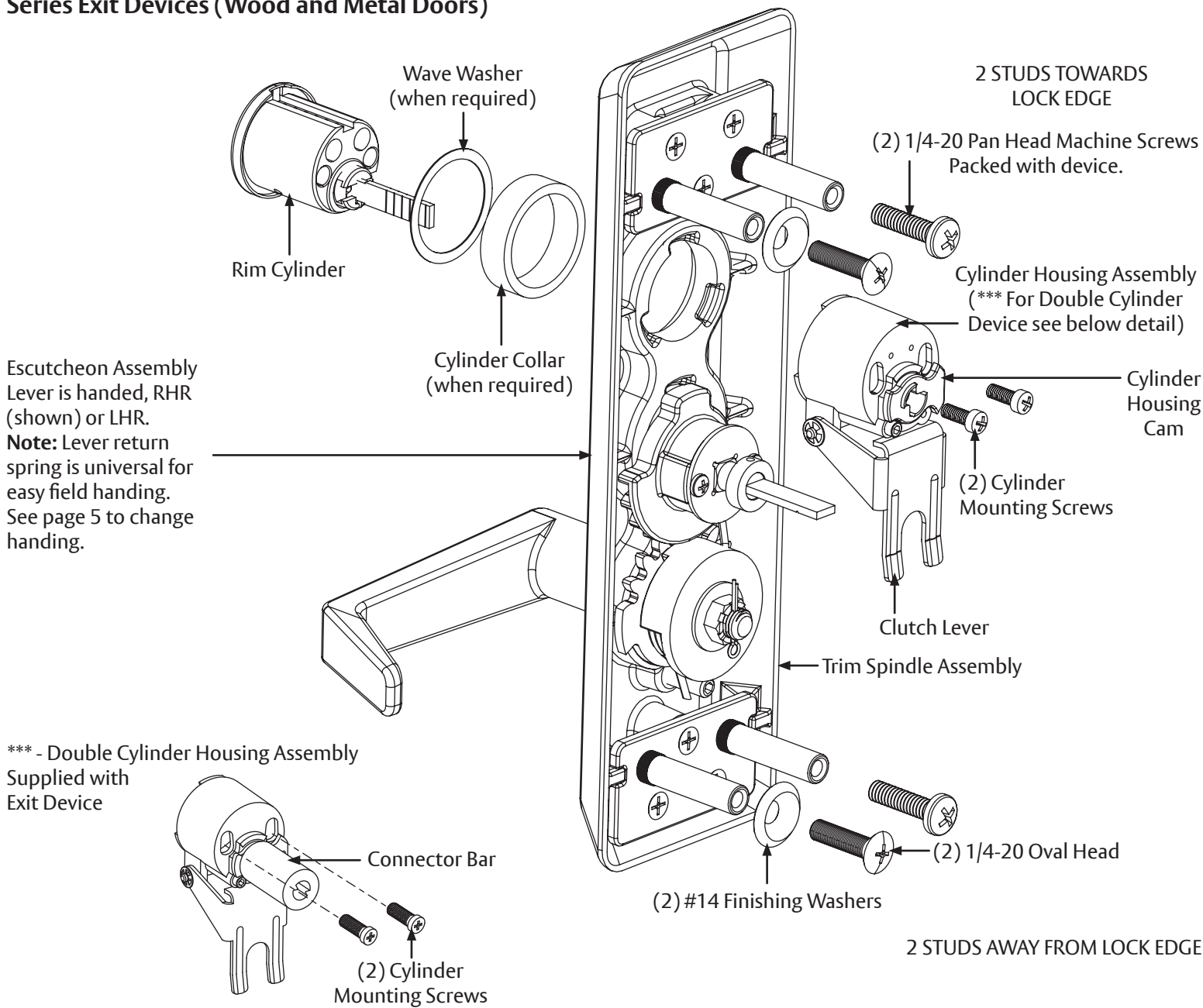
# 626F

# ASSA ABLOY

## Exit Device Trim

### Installation Instructions

For use with all ASSA ABLOY 7000, 2100, 1800 and 1500 Series Exit Devices (Wood and Metal Doors)



Escutcheon Assembly Lever is handed, RHR (shown) or LHR.  
**Note:** Lever return spring is universal for easy field handing. See page 5 to change handing.

\*\*\* - Double Cylinder Housing Assembly Supplied with Exit Device

#### **⚠ WARNING**

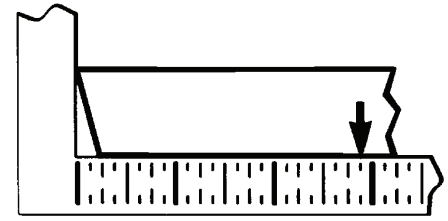
This product can expose you to lead which is known to the state of California to cause cancer and birth defects or other reproductive harm. For more information go to [www.P65warnings.ca.gov](http://www.P65warnings.ca.gov).

#### **⚠ WARNING**

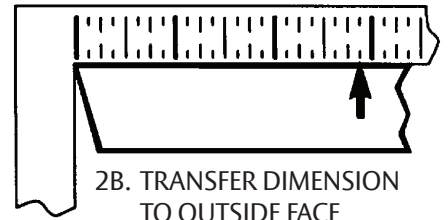
Attention Installer: Any retrofit or other field modification to a fire rated opening can potentially impact the fire rating of the opening, and ASSA ABLOY makes no representations or warranties concerning what such impact may be in any specific situation. When retrofitting any portion of an existing fire-rated opening, or specifying and installing a new fire-rated opening, please consult with a code specialist or local code official (Authority Having Jurisdiction) to ensure compliance with all applicable codes and ratings.

### Installation Instructions

1. Assemble trim. See page 4 for components and instructions.
2. After marking door inside face for device location (Device Instructions) transfer Vertical Reference Centerline from inside to outside door face. Follow **steps 2a and 2b** on the right.
3. Transfer Horizontal Reference Centerline from inside to outside door face.
4. Align trim template and tape to outside door face. **CAUTION:** Office copiers and facsimile machines may change the size of a drawing and make the template inaccurate to use as a door marker. If this is not the original template packed with the trim, use only the dimensions written on the template to locate the holes on the door. (Do not use the template as a door marker)
5. Spot holes and prepare door for trim.
6. Mount trim to door thru holes "B". Fasten finger tight only with 2 screws and washers seating on door as shown in **Figure 1**.
7. Cut trim tailpiece as shown in **Figure 2**.
8. Seat device so that trim tailpiece penetrates cam slot as shown in **Figure 1**. Continue as shown in device instructions.



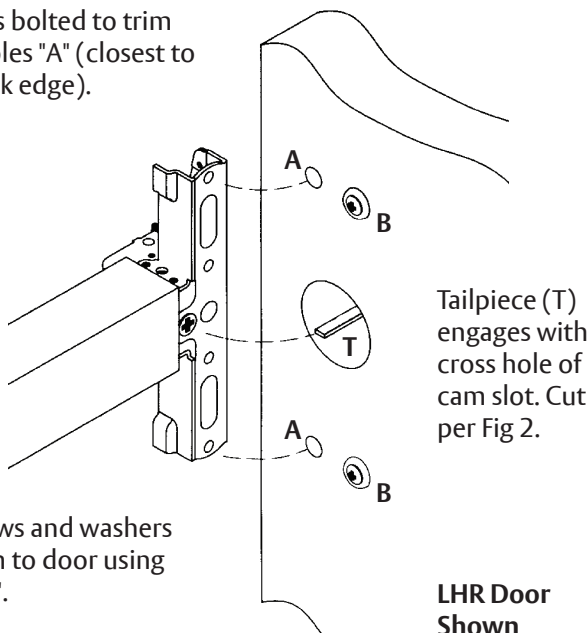
2a. MEASURE INSIDE LINE LOCATIONS



2B. TRANSFER DIMENSION TO OUTSIDE FACE

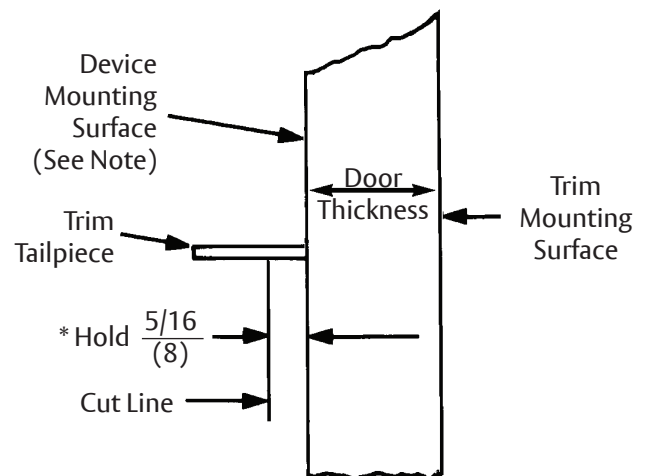
**Figure 1**

Device is bolted to trim using holes "A" (closest to door lock edge).



(2) Screws and washers bolt trim to door using holes "B".

**Figure 2**



**NOTE :** Measure from device mounting surface (door face or shim surface). Trim must be in un-locked position.

# 626F

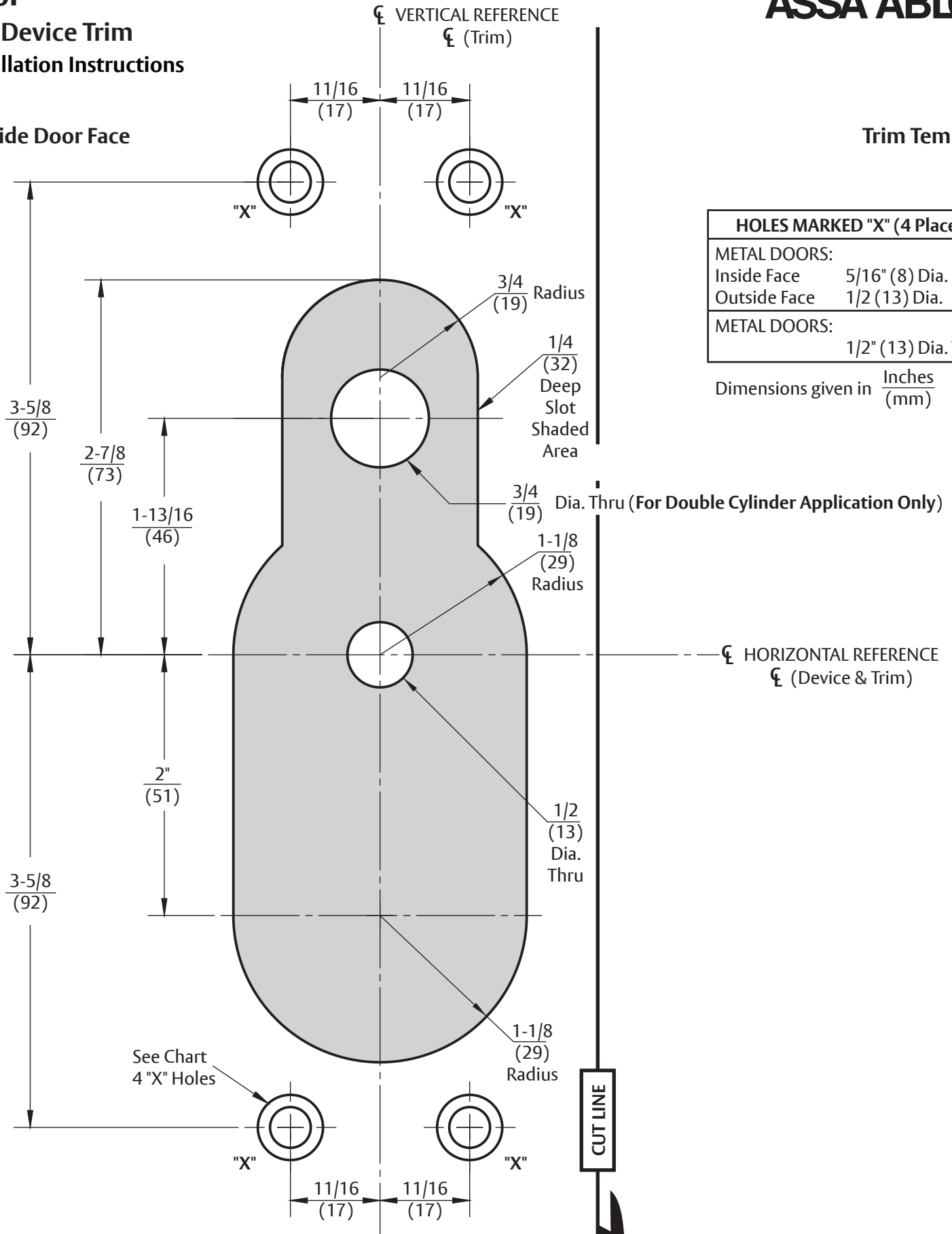
## Exit Device Trim Installation Instructions

Outside Door Face

Trim Template

HOLES MARKED "X" (4 Places)	
METAL DOORS:	
Inside Face	5/16" (8) Dia.
Outside Face	1/2" (13) Dia.
METAL DOORS:	
	1/2" (13) Dia. Thru

Dimensions given in  $\frac{\text{Inches}}{\text{(mm)}}$



3/4 (19) Dia. Thru (For Double Cylinder Application Only)

1/2 (13) Dia. Thru

CUT LINE



1-855-557-5078 • www.assaabloy.com

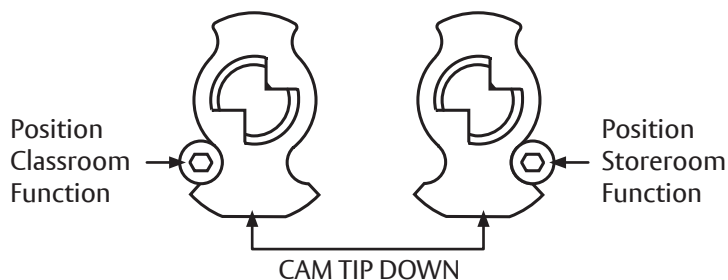
Copyright © 2018, 2023, ASSA ABLOY Access and Egress Hardware Group, Inc. All rights reserved. Reproduction in whole or in part without the express written permission of ASSA ABLOY Access and Egress Hardware Group, Inc. is prohibited.

Experience a safer  
and more open world

### Trim Assembly Instructions

1. Check cylinder components.  
**NOTE:** Cylinders longer than 1-1/4" (32) will require collars. Refer to ASSA ABLOY cylinder collar chart, below.
2. When required, cut cylinder tailpiece.
3. Assemble cylinder. Insert cylinder housing prongs into matching notches of escutcheon. Pass cylinder tailpiece thru cylinder collar (when required) and slot in cylinder housing cam. Fasten cylinder using (2) mounting screws. **DO NOT OVER TIGHTEN SCREWS.**
4. Check cylinder action. Rotate cylinder tailpiece to cam the clutch lever down. This depresses the trim spindle assembly which disengages the trim spindle from the lever handle, putting the trim in a free-wheeling, locked mode.
5. To Change Trim Function:  
Rotate cam tip to down position (locked mode). Move function screw as shown.

### Function Screw Position



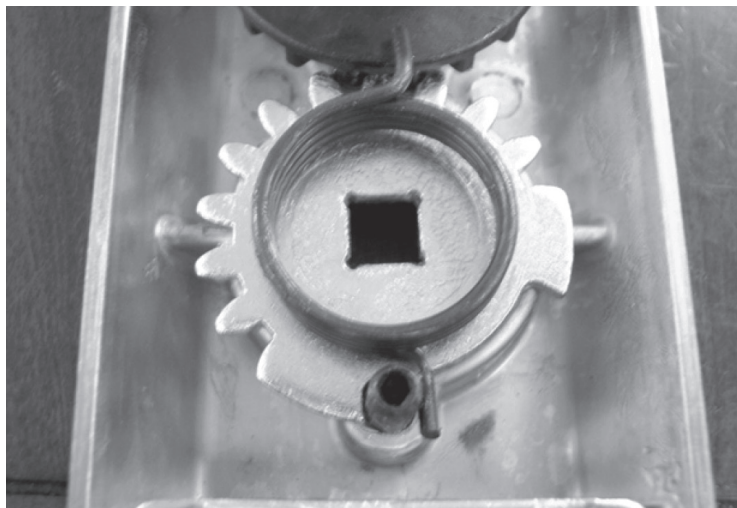
Cylinder Length	Collar
1-1/8" (29)	None
1-1/4" (32)	None
1-1/2" (38)	1765.250**

\*\* Specify finish

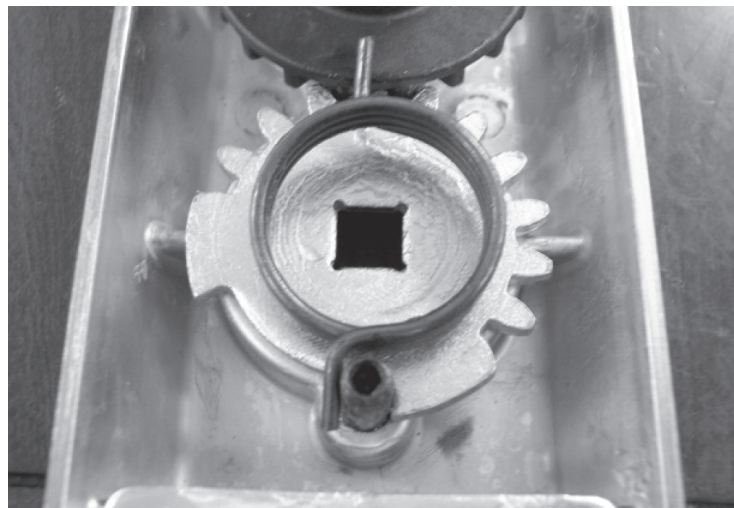
### How to Change Handing

626F, 627F, 628F, 690F and 691F Series Exit Device Trim

#### Left Hand Reverse Gear & Spring Orientation



#### Right Hand Reverse Gear & Spring Orientation



#### Notes:

1. During change ensure black driven gear does not rotate.
2. Please wear safety glasses and be aware of spring tension on spring hub upon removal and assembly.
3. Light lubrication is recommended under flat gear, white lithium grease can be used.

# 626F

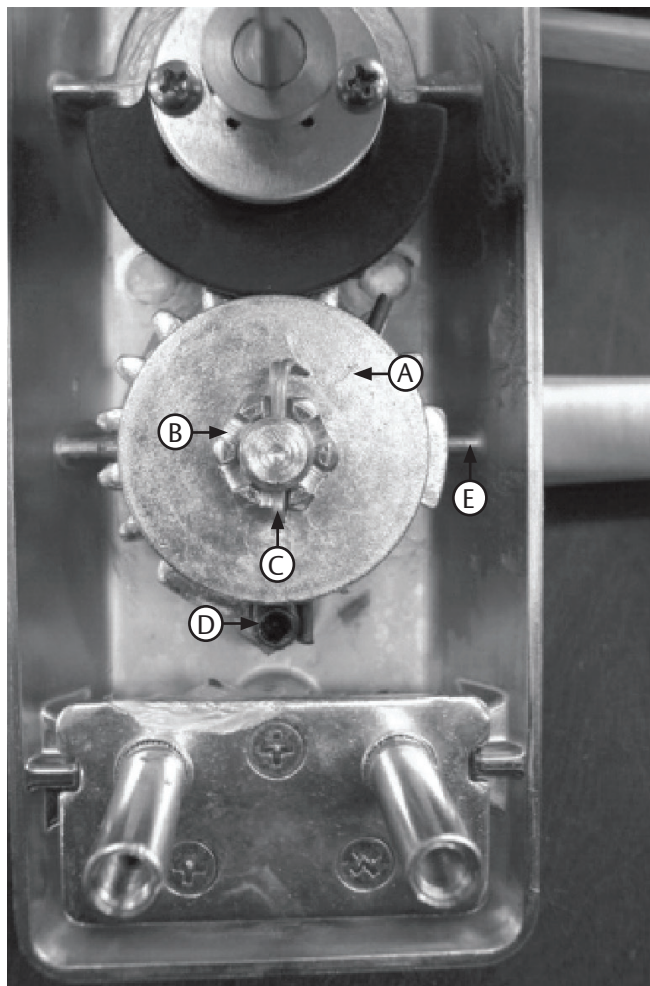
## Exit Device Trim

### Installation Instructions

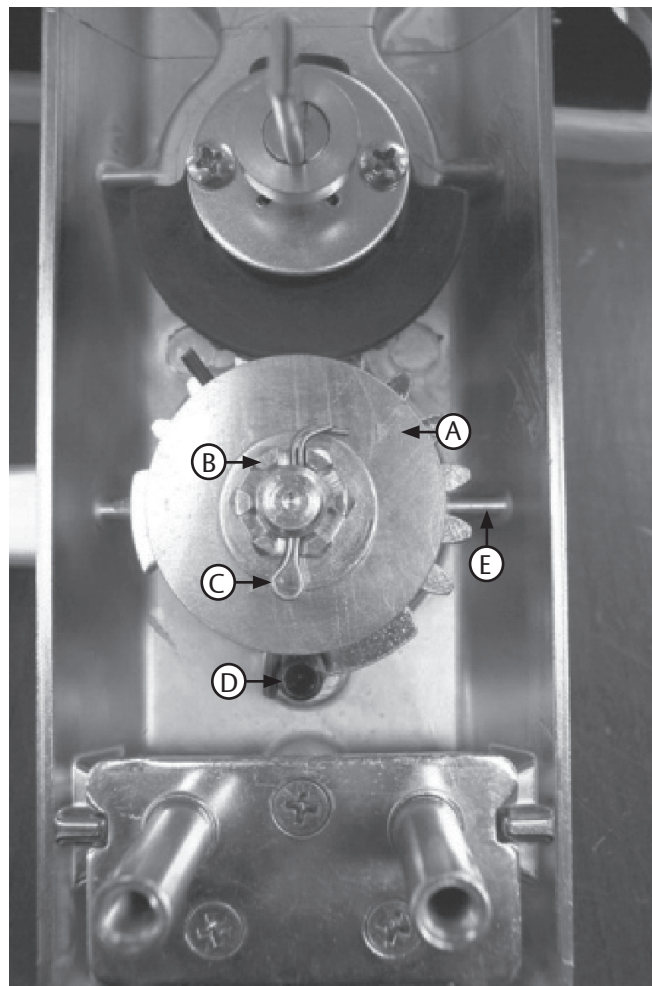
#### To Change Hands:

Tools Needed: Needle Nose pliers, Crescent wrench.

LEFT HAND REVERSE



RIGHT HAND REVERSE



- A. Spring Hub
- B. Castle Nut
- C. Cotter Pin
- D. Stop Post
- E. Flat Gear

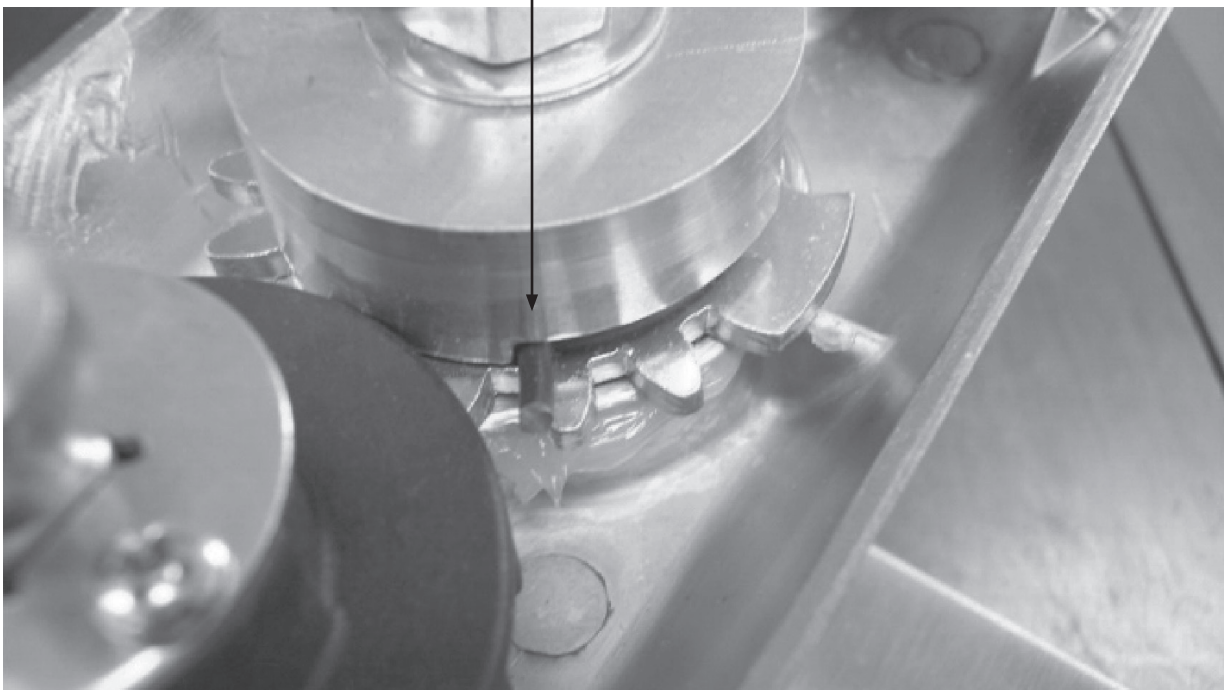
1. Remove cotter pin.
2. Remove castle nut.
3. Remove washer.
4. Carefully pull up on spring hub to
5. Remove spring and note orientation.
6. Remove lever handle.
7. Pick-up flat gear, flip and orient stop on opposite side of stop post. See pictures for orientation.
8. Install spring upside down from original orientation and place spring leg on opposite side of stop post from original installation orientation. See pictures for orientation.

9. Install lever 180 degrees from original position.
10. Install spring hub with stamped number in the 6 o'clock position.
11. Rotate spring leg around with needle nose pliers to engage notch in spring hub, refer to pictures for reference position. Press down on spring hub to ensure complete engagement.
12. Install washer.
13. Install castle nut, do not over tighten, verify by insuring lever returns horizontally on its own.
14. Install cotter pin.

Notch for spring to engage for left hand reverse operation



Spring orientation for right hand reverse operation



**626F**  
**Exit Device Trim**  
**Installation Instructions**

**ASSA ABLOY**

**1-855-557-5078 • [www.assaabloy.com](http://www.assaabloy.com)**

Copyright © 2018, 2023, ASSA ABLOY Access and Egress Hardware Group, Inc. All rights reserved. Reproduction in whole or in part without the express written permission of ASSA ABLOY Access and Egress Hardware Group, Inc. is prohibited.

Experience a safer  
and more open world

